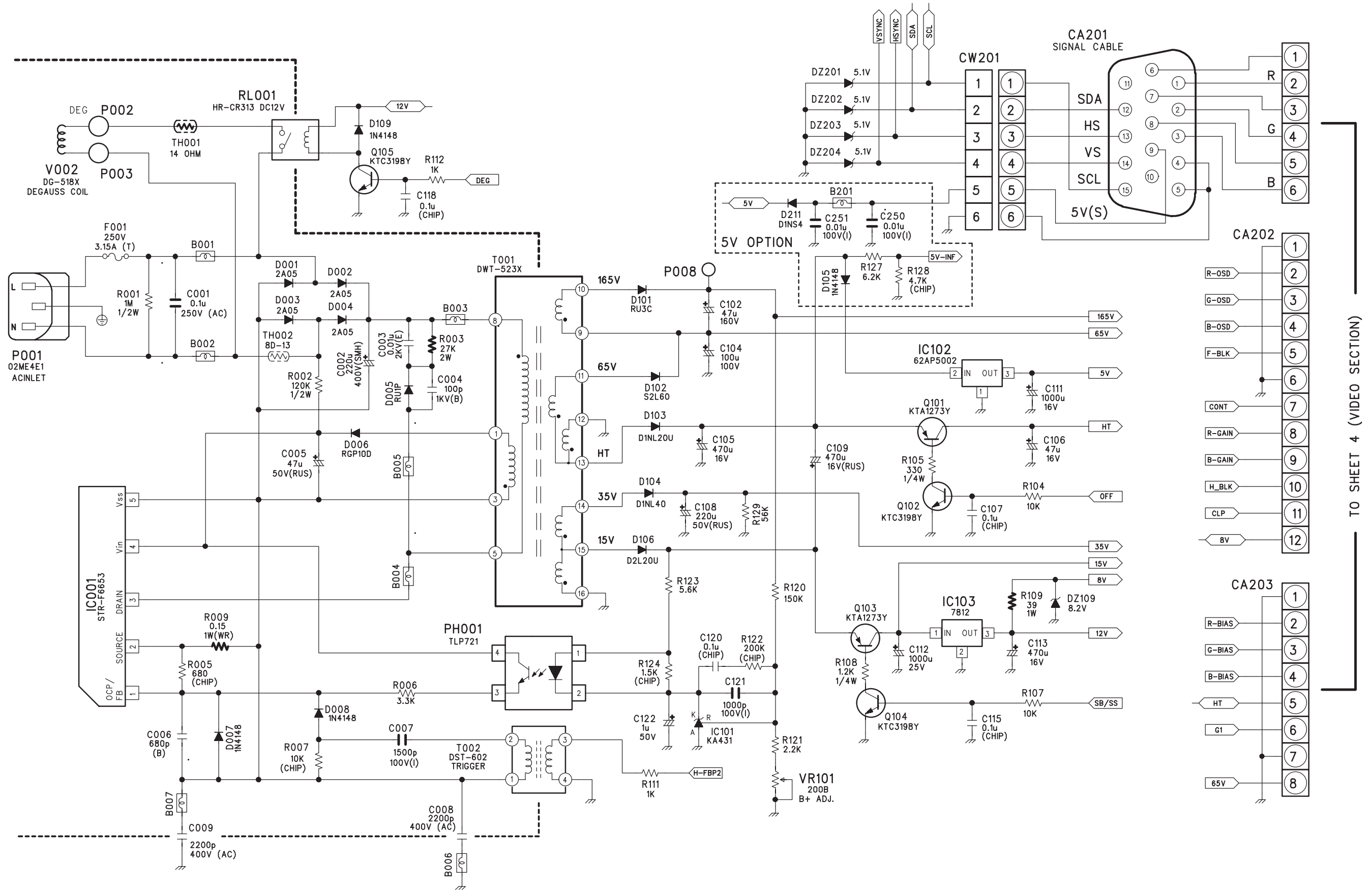
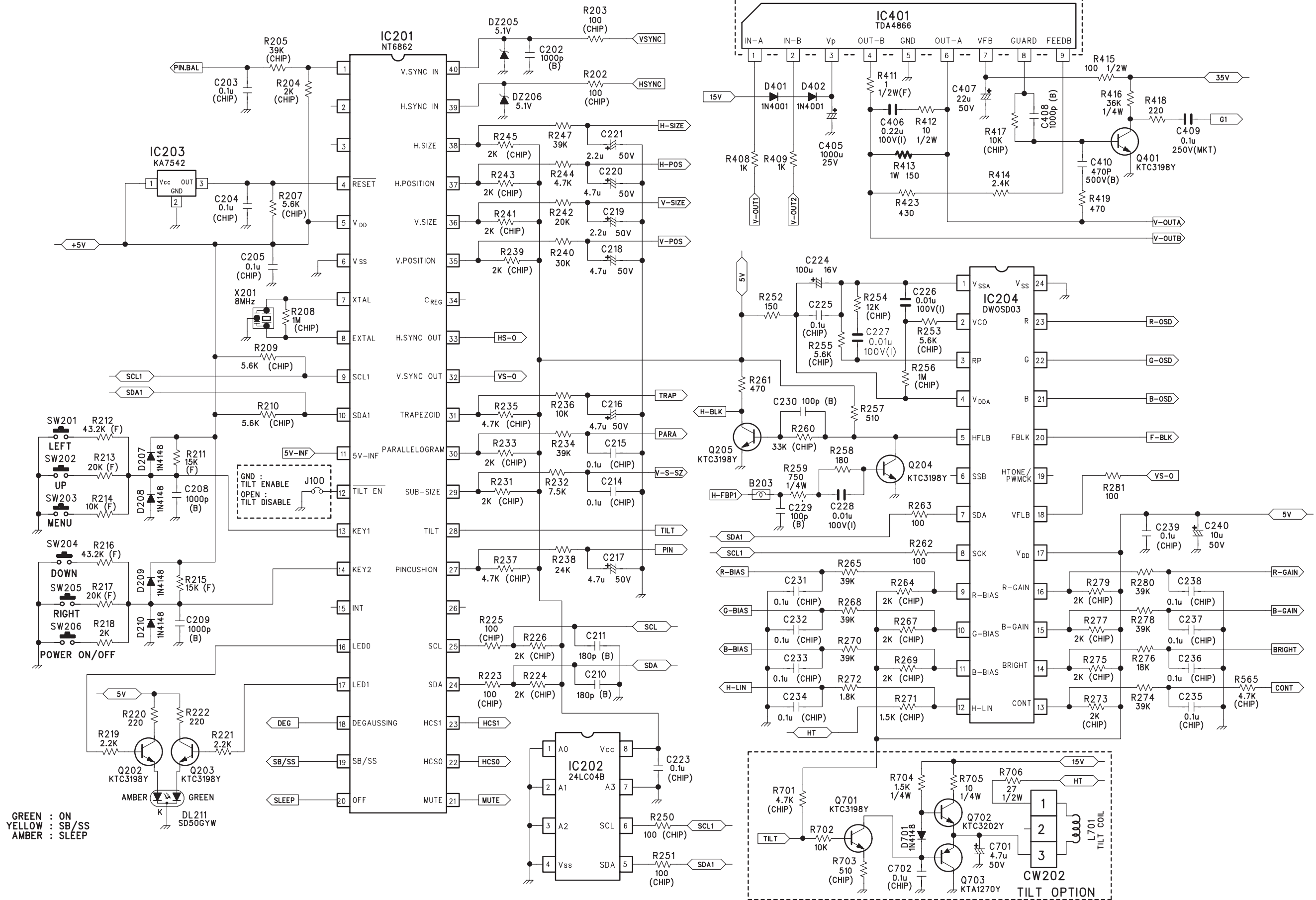


# SCHEMATIC DIAGRAM

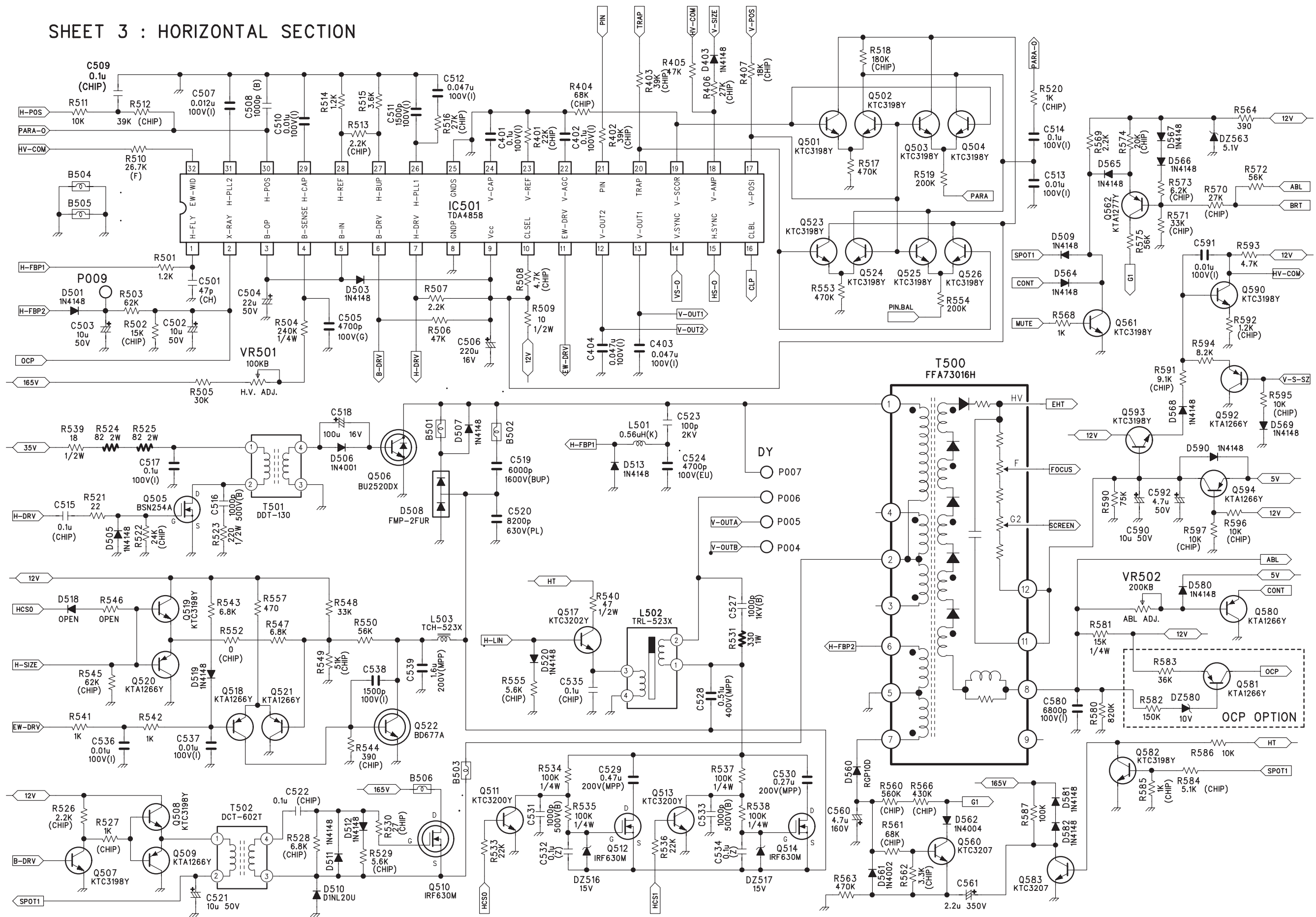
## SHEET 1 : POWER & CONNECTION SECTION



# SHEET 2 : CONTROL & VERT.OUT SECTION



# SHEET 3 : HORIZONTAL SECTION



# SHEET 4 : VIDEO SECTION

