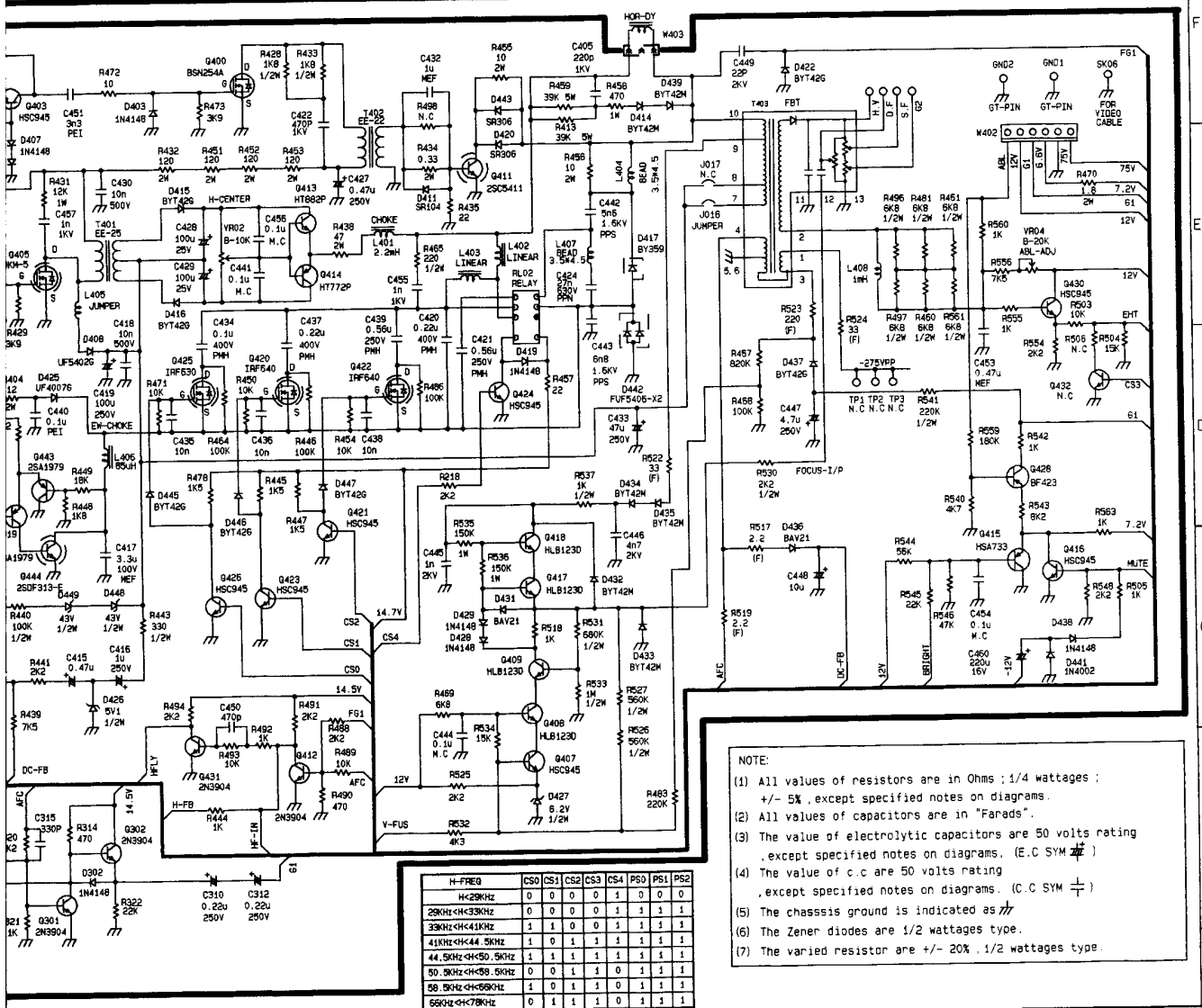
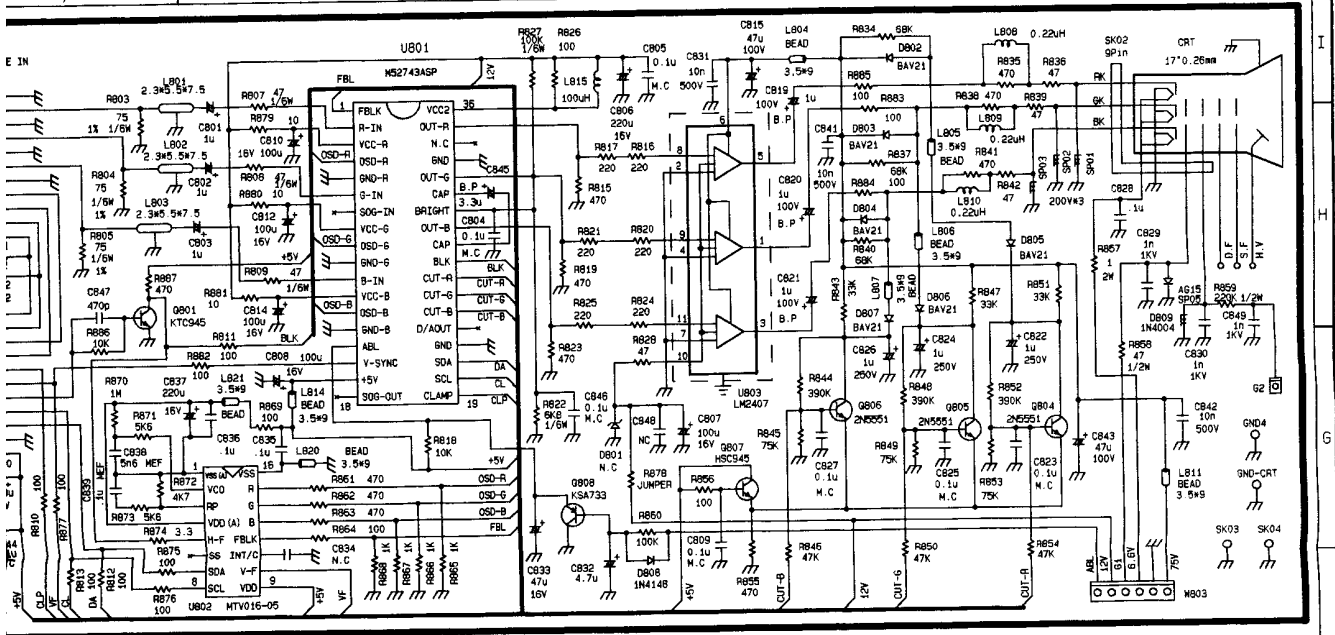


	C50	C51	C52	C53	C54	P50	P51	P52
H-FREQ	0	0	0	0	1	0	0	0
H-C20KHz	0	0	0	0	1	0	0	0
20KHz<H<30KHz	0	0	0	0	1	0	0	0
30KHz<H<41KHz	1	0	0	0	1	1	1	1
41KHz<H<44.5KHz	1	0	1	1	1	1	1	1
44.5KHz<H<50.5KHz	1	1	1	1	1	1	1	1
50.5KHz<H<58.5KHz	0	0	1	0	1	1	1	1
58.5KHz<H<69KHz	1	0	1	0	1	1	1	1
69KHz<H<78KHz	0	1	1	0	1	1	1	1
78KHz<H<90KHz	1	1	1	0	1	1	1	1
OVERMODE	0	0	1	0	1	1	1	1
BURN_IN-1	0	0	0	0	1	1	1	1
BURN_IN-2	0	1	0	0	1	1	1	1
BURN_IN-3	1	1	0	0	1	1	1	1
STAND-BY	0	0	0	0	0	0	0	0
OFF MODE	0	0	0	0	0	0	0	0



- NOTE:
- (1) All values of resistors are in Ohms; 1/4 wattages; +/- 5%, except specified notes on diagrams.
  - (2) All values of capacitors are in "Farads".
  - (3) The value of electrolytic capacitors are 50 volts rating, except specified notes on diagrams. (E.C. SYM  $\text{E}$ )
  - (4) The value of c.c. are 50 volts rating, except specified notes on diagrams. (C.C. SYM  $\text{C}$ )
  - (5) The chassis ground is indicated as  $\text{GND}$ .
  - (6) The Zener diodes are 1/2 wattages type.
  - (7) The varied resistor are +/- 20%, 1/2 wattages type.

H-FREQ	CS0	CS1	CS2	CS3	CS4	PS0	PS1	PS2
H<29KHz	0	0	0	1	0	0	0	0
29KHz<H<39KHz	0	0	0	0	1	1	1	1
39KHz<H<43KHz	1	1	0	0	1	1	1	1
43KHz<H<44.5KHz	1	0	1	1	1	1	1	1
44.5KHz<H<50.5KHz	1	1	1	1	1	1	1	1
50.5KHz<H<59.5KHz	0	0	1	1	0	1	1	1
59.5KHz<H<69KHz	0	1	1	0	1	0	1	1
69KHz<H<78KHz	0	1	1	1	0	1	1	1
78KHz<H<90KHz	1	1	1	1	0	1	1	1
OVERMODE	0	0	0	1	1	1	1	1
BURN_IN-1	0	0	0	0	1	1	1	1
BURN_IN-2	0	1	1	0	1	1	1	1
BURN_IN-3	1	1	1	0	1	1	1	1
STAND-BY	0	0	0	0	0	1	1	1
OFF MODE	0	0	0	0	0	0	0	0

ROYAL INFORMATION ELECTRONICS CO., LTD

MODEL: DH-1764U	SHEET NO.	DESIGN	DRAWING
ITEM: MAIN/CRT	DATE: JULY-31-1998	PREPARE	C.H.TSENG
FILE NAME: X-786	SCH REV: 0.5	CHECKED	
ECN NO:	APPROVED		