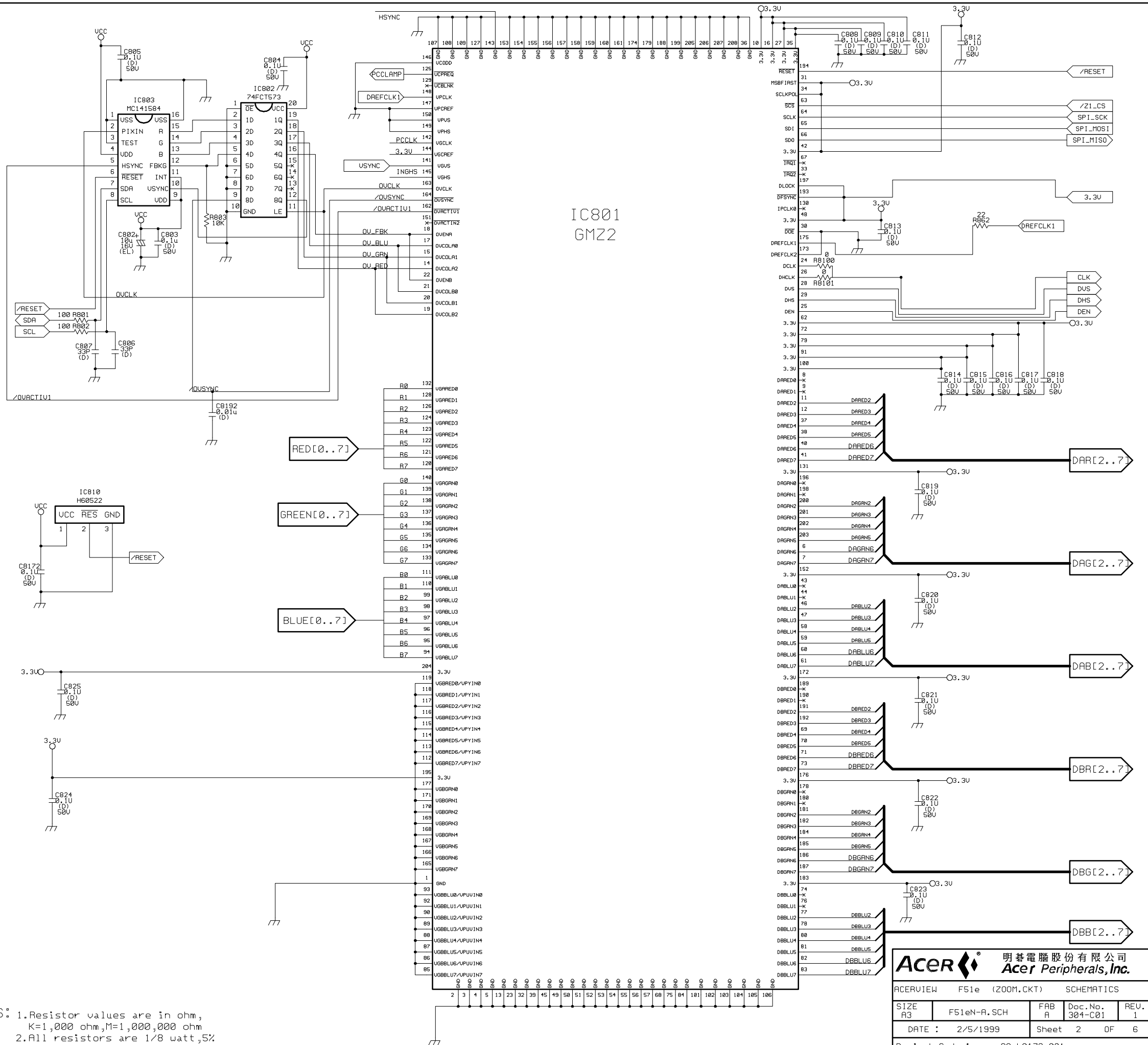


NOTES: 1. Resistor values are in ohm, K=1,000 ohm, M=1,000,000 ohm
 2. All resistors are 1/8 watt, 5% except where otherwise indicated
 3. ∇ ∇ ∇ Represents PCB common ground.

ACER 明基電腦股份有限公司
Acer Peripherals, Inc.

ACERVIEW F51e (ADC.CKT) SCHEMATICS

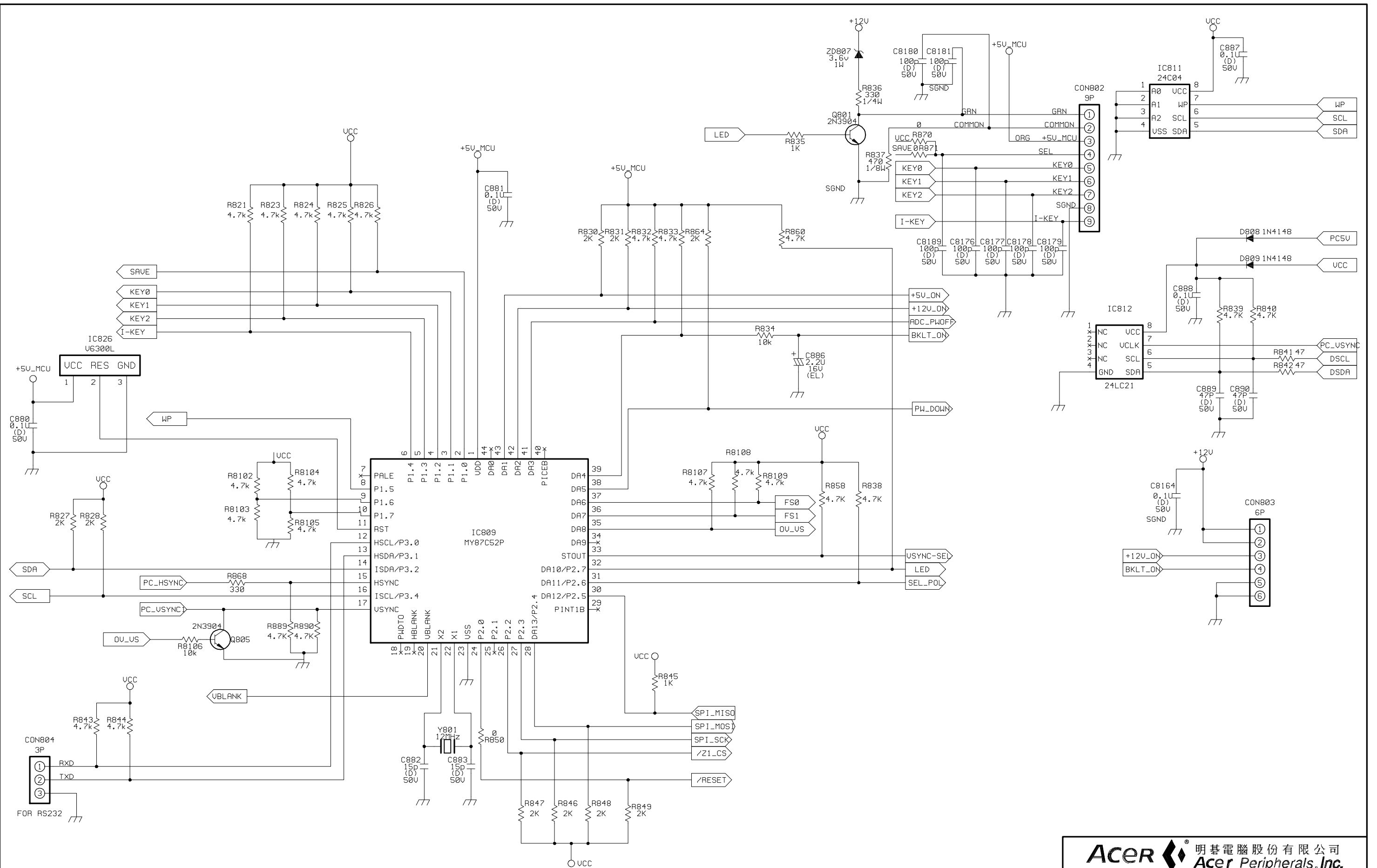
SIZE A3	F51eN-A.SCH	FAB A	Doc.No. 304-C01	REV. 1
DATE : 2/5/1999	Sheet 1	OF 6		
Project Code. :99.L0172.001				
Prepared By	Reviewed By	Approved By		
CHRIS PENG 2/5/99	JEFF HSU 2/5/99	T.S.WU 2/5/99		



NOTES: 1. Resistor values are in ohm,
 K=1,000 ohm, M=1,000,000 ohm
 2. All resistors are 1/8 watt, 5%
 except where otherwise indicated
 3. ∇ ∇ ∇ Represents PCB common ground.

Acer 明碁電腦股份有限公司
Acer Peripherals, Inc.

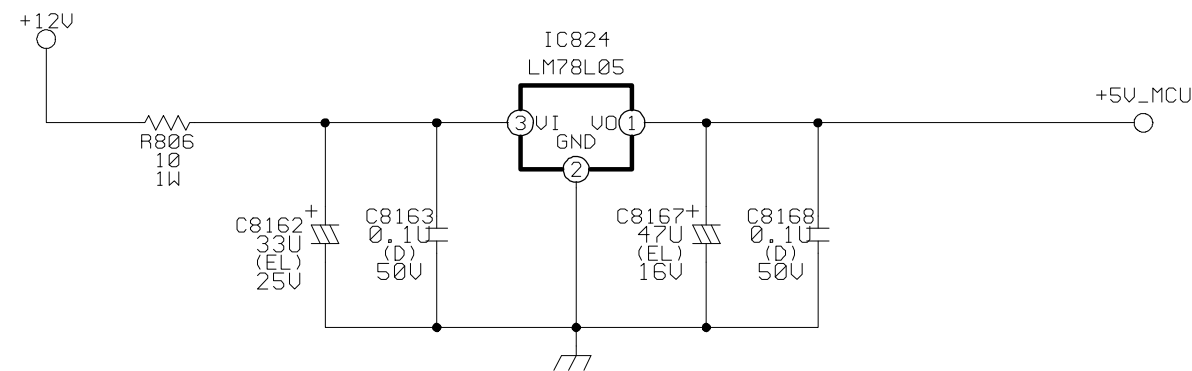
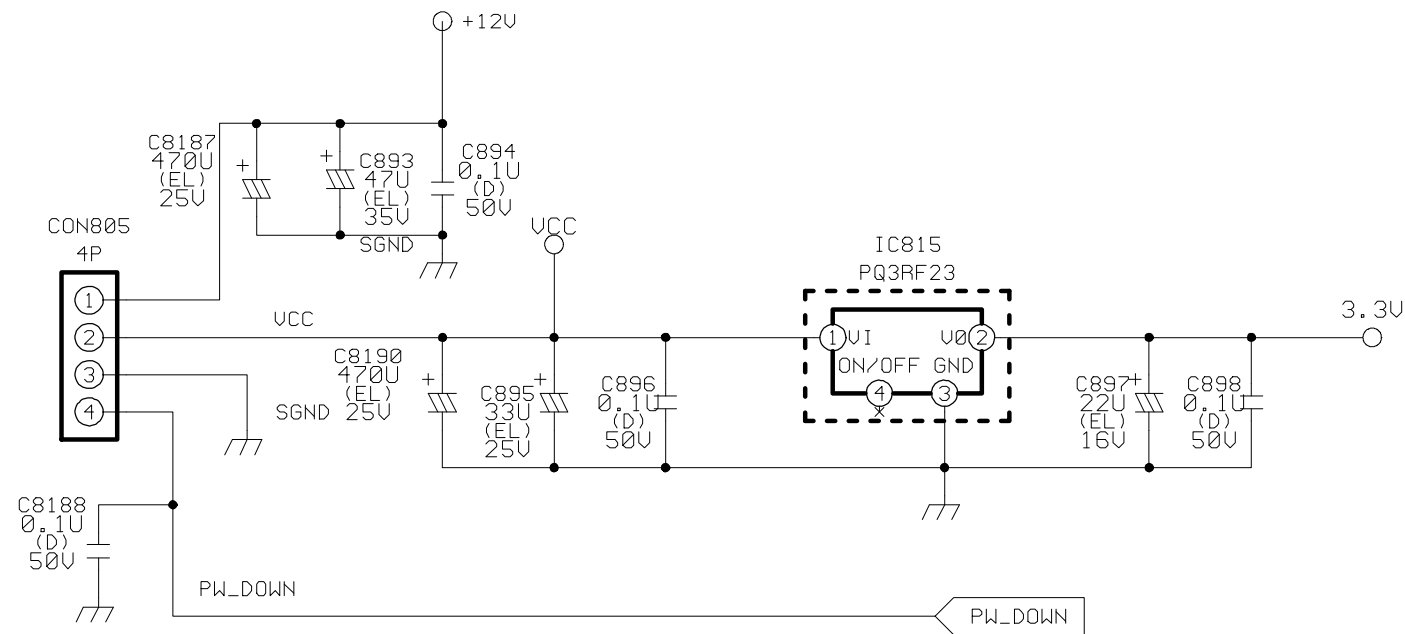
ACERVIEW	F51e (ZOOM.CKT)	SCHEMATICS		
SIZE A3	F51eN-A.SCH	FAB A	Doc.No. 304-C01	REV. 1
DATE :	2/5/1999	Sheet	2	OF 6
Project Code.: 99.L0172.001				
Prepared By	Reviewed By	Approved By		
CHRIS PENG 2/5/99	JEFF HSU 2/5/99	T.S.WU 2/5/99		



NOTES: 1. Resistor values are in ohm, K=1,000 ohm, M=1,000,000 ohm

3. ∇ \rightarrow \oplus Represents PCB common ground.

ACER 明基電腦股份有限公司 Acer Peripherals, Inc.				
ACERVIEW F51e (MCU.CKT)		SCHEMATICS		
SIZE A3	F51eN-A.SCH	FAB A	Doc.No. 304-C01	REV. 1
DATE : 2/5/1999	Sheet 4	OF 6		
Project Code. :99.L0172.001				
Prepared By	Reviewed By	Approved By		
CHRIS PENG 2/5/99	JEFF HSU 2/5/99	T.S.WU 2/5/99		

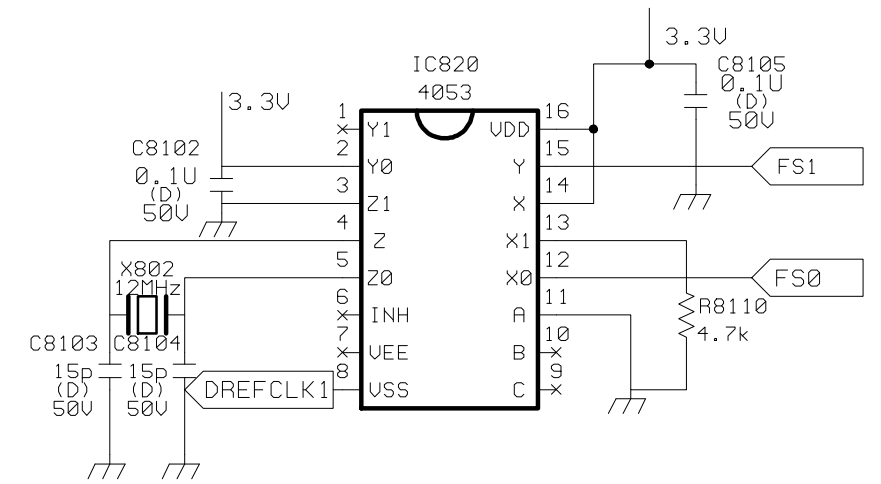
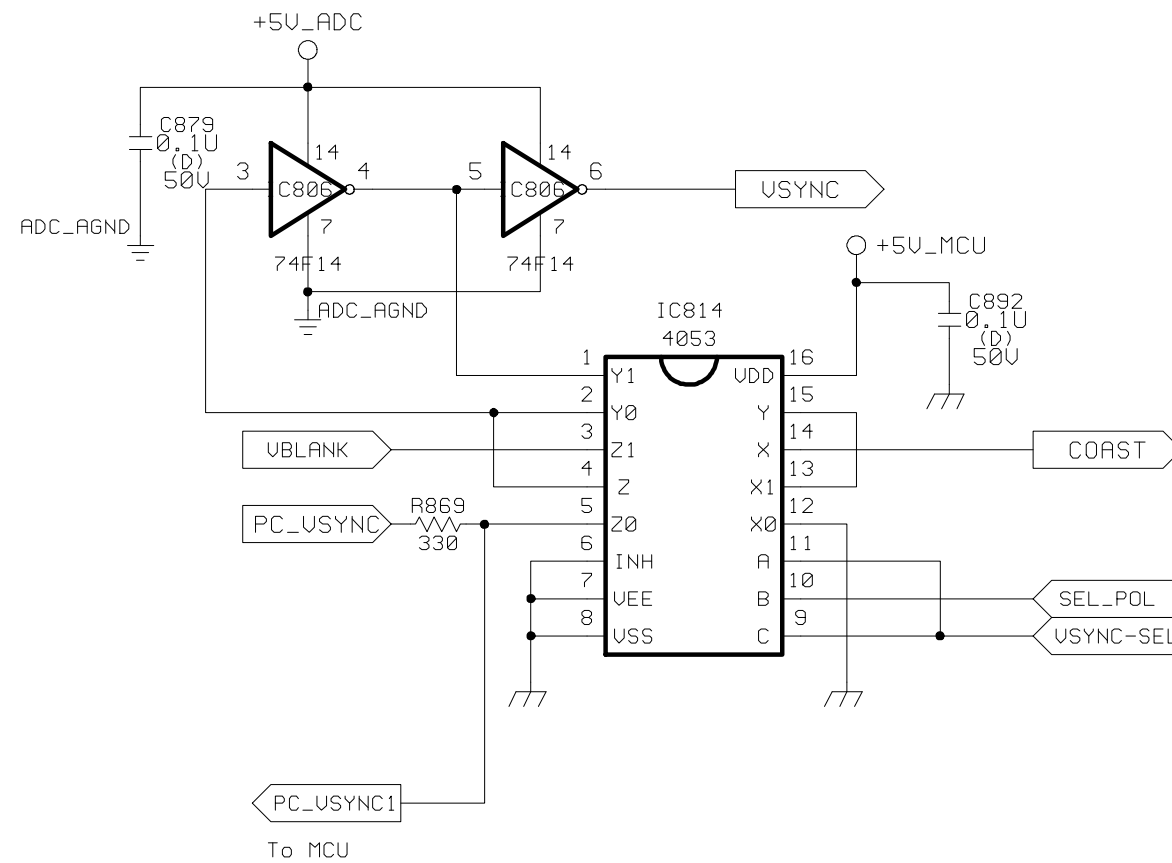


- NOTES:
1. Resistor values are in ohm, K=1,000 ohm, M=1,000,000 ohm
 2. All resistors are 1/8 watt, 5% except where otherwise indicated
 3. ∇ ∇ ∇ Represents PCB common ground.

ACER 明基電腦股份有限公司
Acer Peripherals, Inc.

ACERVIEW F51e (POWER.CKT) SCHEMATICS

SIZE A4	F51eN-A.SCH	FAB A	Doc.No. 304-C01	REV. 1
DATE : 2/5/1999		Sheet 5 OF 6		
Project Code. :99.L0172.001				
Prepared By CHRIS PENG 2/5/99		Reviewed By JEFF HSU 2/5/99		Approved By T.S.WU 2/5/99



- NOTES:
1. Resistor values are in ohm, K=1,000 ohm, M=1,000,000 ohm
 2. All resistors are 1/8 watt, 5% except where otherwise indicated
 3. ∇ ∇ ∇ Represents PCB common ground.

明基電腦股份有限公司 Acer Peripherals, Inc.				
ACERVIEW F51e (CSYNC.CKT) SCHEMATICS				
SIZE A4	F51eN-A.SCH	FAB A	Doc.No. 304-C01	REV. 1
DATE : 2/5/1999		Sheet 6 OF 6		
Project Code. :99.L0172.001				
Prepared By CHRIS PENG 2/5/99		Reviewed By JEFF HSU 2/5/99		Approved By T.S.WU 2/5/99