

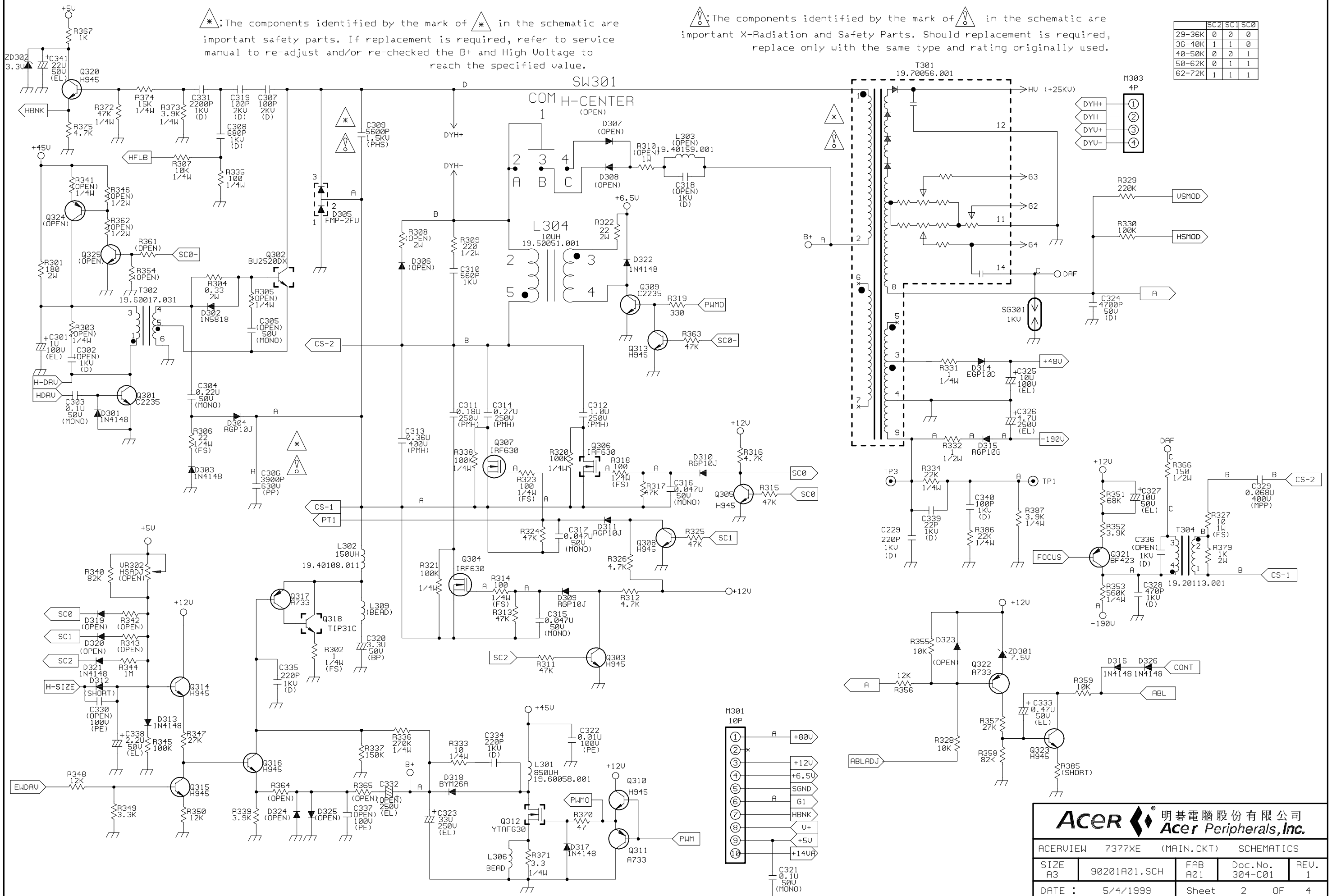
NOTES: 1. Resistor values are in ohm, K=1,000 ohm, M=1,000,000 ohm
 2. All resistors are 1/8 watt, 5% except where otherwise indicated
 3. $\text{---} \nabla \text{---}$ Represents PCB common ground.

明基電腦股份有限公司 Acer Peripherals, Inc.				
ACERVIEW		7377XE	(MICRO.CKT)	SCHEMATIC
SIZE A3	90201A01.SCH	FAB A01	Doc.No. 304-C01	REV. 1
DATE : 5/4/1999		Sheet 1 OF 4		
Project Code. 99.90271.001				
Prepared By CHRIS PENG 5/4/99		Reviewed By ARIES CHU 5/4/99		Approved By DAUEN WU 5/4/99

*: The components identified by the mark of * in the schematic are important safety parts. If replacement is required, refer to service manual to re-adjust and/or re-checked the B+ and High Voltage to reach the specified value.

⚠: The components identified by the mark of ⚠ in the schematic are important X-Radiation and Safety Parts. Should replacement is required, replace only with the same type and rating originally used.

	SC2	SC1	SC0
29-36K	0	0	0
36-40K	1	1	0
40-50K	0	0	1
50-62K	0	1	1
62-72K	1	1	1

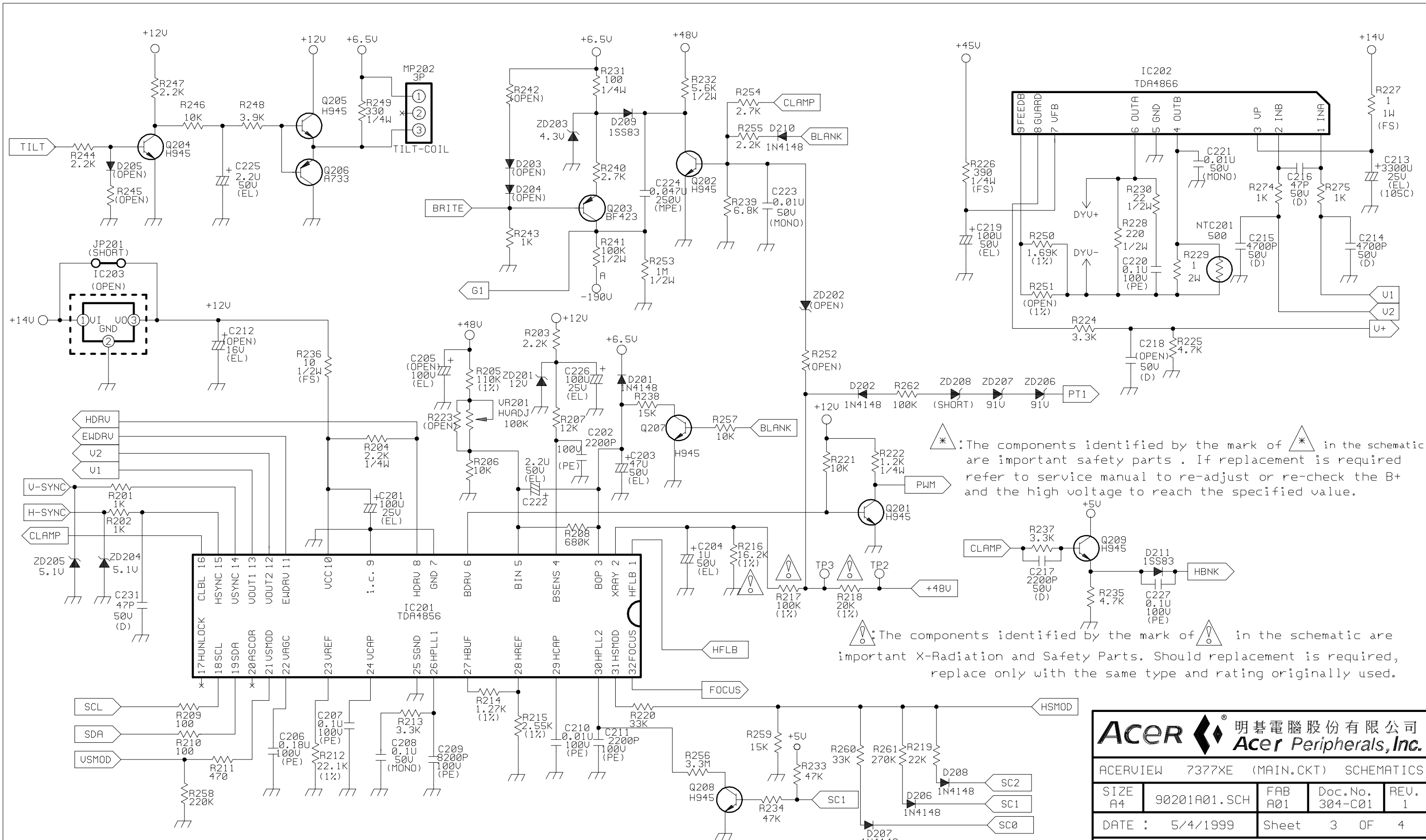


NOTES: 1. Resistor values are in ohm, K=1,000 ohm, M=1,000,000 ohm
 2. All resistors are 1/8 watt, 5% except where otherwise indicated
 3. ∇ ∇ ∇ Represents PCB common ground.

ACER 明基電腦股份有限公司
Acer Peripherals, Inc.

ACERVIEW 7377XE (MAIN.CKT) SCHEMATICS

SIZE	R3	90201A01.SCH	FAB	A01	Doc.No.	304-C01	REV.	1
DATE :	5/4/1999		Sheet	2	OF	4		
Project Code.	99.90271.001							
Prepared By	CHRIS PENG	5/4/99	Reviewed By	ARIES CHU	5/4/99	Approved By	DAVEN WU	5/4/99



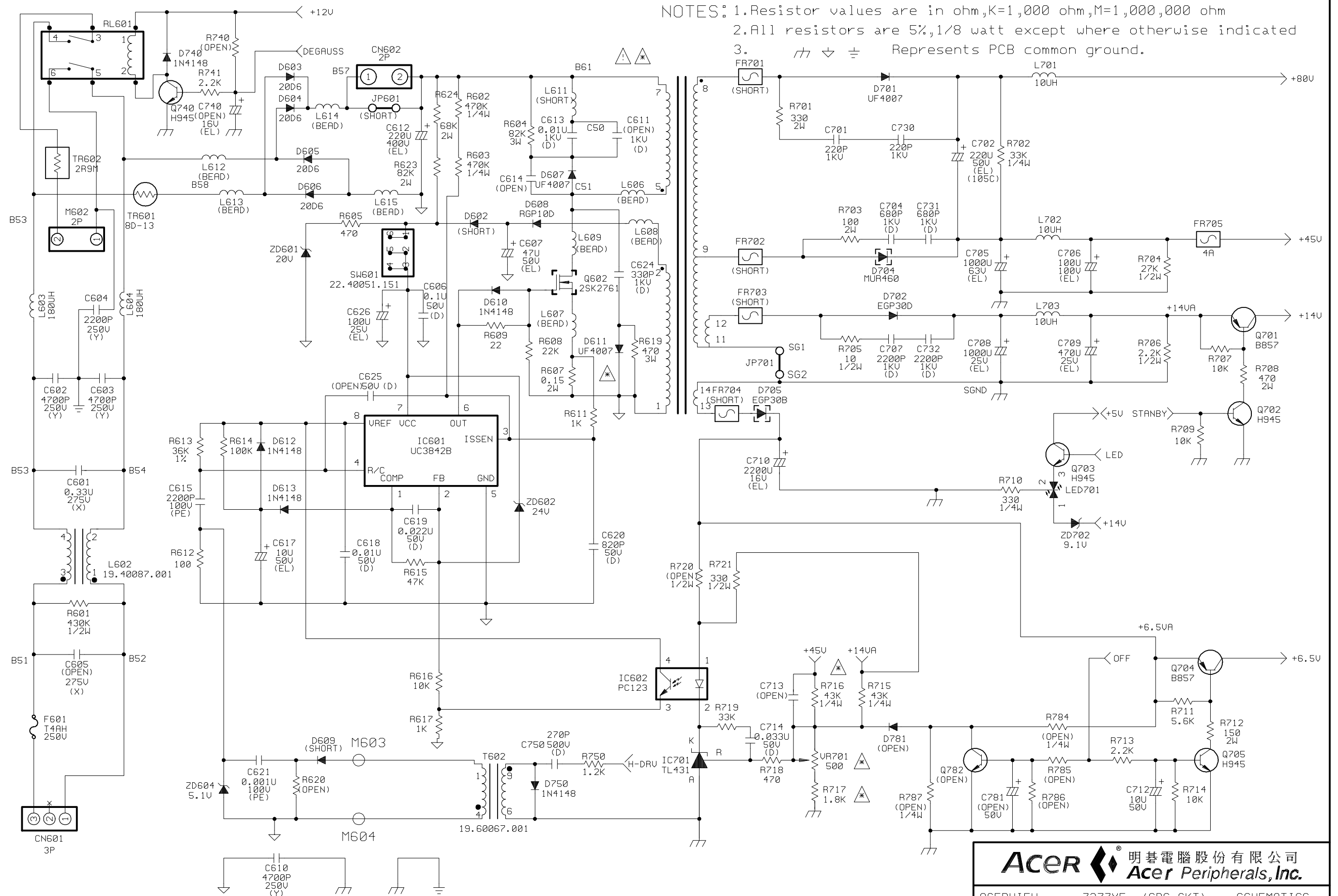
*: The components identified by the mark of * in the schematic are important safety parts. If replacement is required refer to service manual to re-adjust or re-check the B+ and the high voltage to reach the specified value.

!: The components identified by the mark of ! in the schematic are important X-Radiation and Safety Parts. Should replacement is required, replace only with the same type and rating originally used.

NOTES: 1. Resistor values are in ohm, K=1,000 ohm, M=1,000,000 ohm
 2. All resistors are 1/8 watt, 5% except where otherwise indicated
 3. \perp ∇ \equiv Represents PCB common ground.

明基電腦股份有限公司 Acer Peripherals, Inc.				
ACERVIEW 7377XE (MAIN.CKT) SCHEMATICS				
SIZE A4	90201A01.SCH	FAB A01	Doc.No. 304-C01	REV. 1
DATE : 5/4/1999		Sheet 3 OF 4		
Project Code. 99.90271.001				
Prepared By CHRIS PENG 5/4/99	Reviewed By ARIES CHU 5/4/99	Approved By DAVEN WU 5/4/99		

NOTES: 1. Resistor values are in ohm, K=1,000 ohm, M=1,000,000 ohm
 2. All resistors are 5%, 1/8 watt except where otherwise indicated
 3. ∇ ∇ ∇ Represents PCB common ground.



∇ : The components identified by the mark of ∇ in the schematic are important X-Radiation and Safety Parts. Should replacement is required, replace only with the same type and rating originally used. T601.

∇ : The components identified by the mark of ∇ in the schematic are important safety parts. If replacement is required, refer to service manual to re-adjust and/or re-checked the B+ and High Voltage to reach the specified value. T601, R734, R735, UR701.

ACER 明基電腦股份有限公司
Acer Peripherals, Inc.

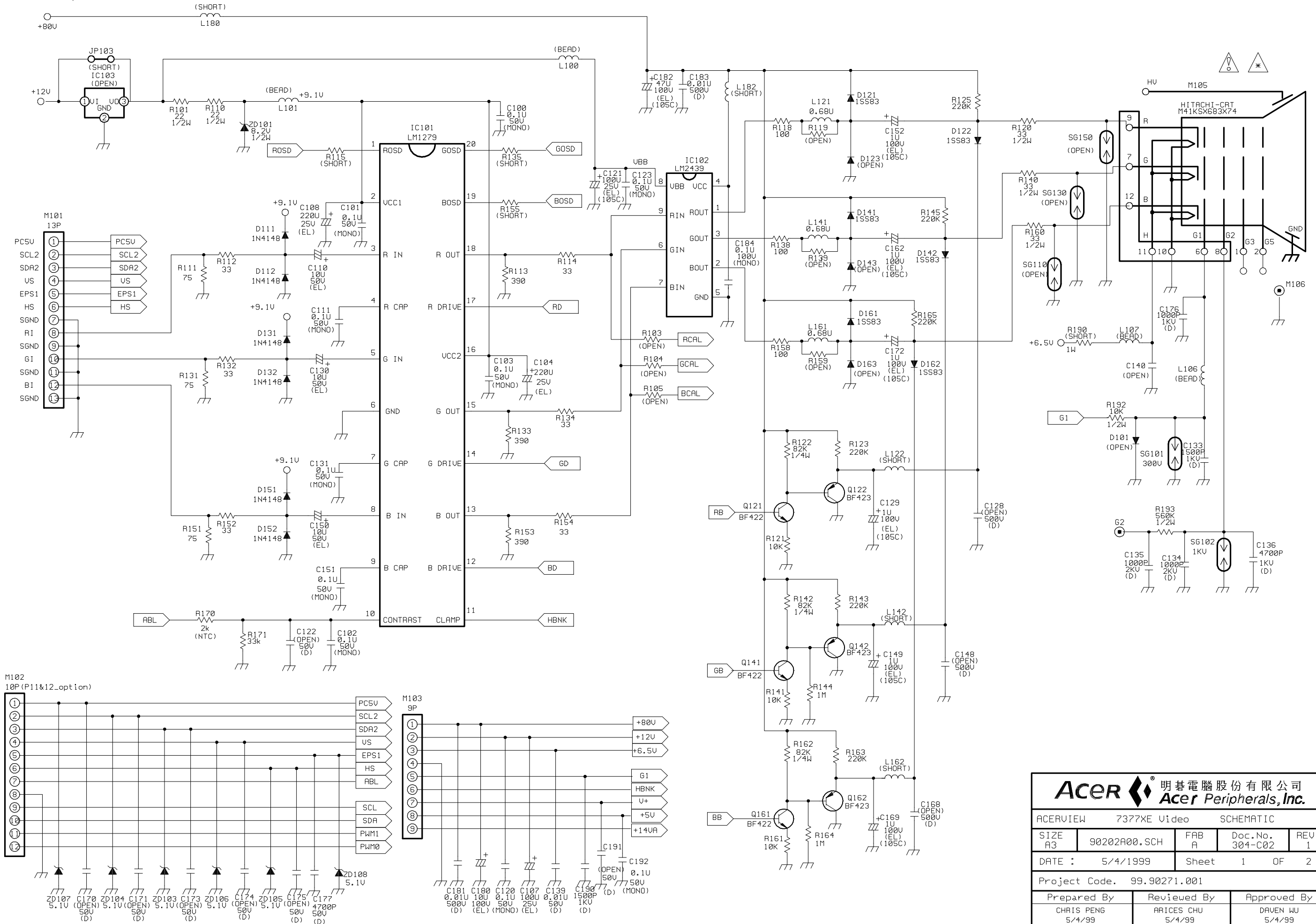
ACERVIEW 7377XE (SPS.CKT) SCHEMATICS		FAB A01		Doc.No. 304-C01	REV. 1
SIZE A3	90201A01.SCH	DATE : 5/4/1999	Sheet 4	OF 4	
Project Code. 99.90271.001					
Prepared By CHRIS PENG 5/4/99		Reviewed By ARIES CHU 5/4/99		Approved By DAUEN WU 5/4/99	

*: The components identified by the mark of * in the schematic are important safety parts. If replacement is required, refer to service manual to re-adjust and/or re-checked the B+ and High Voltage to reach the specified value.

⚠: The components identified by the mark of ⚠ in the schematic are important X-Radiation and Safety Parts. Should replacement is required, replace only with the same type and rating originally used.

NOTES:

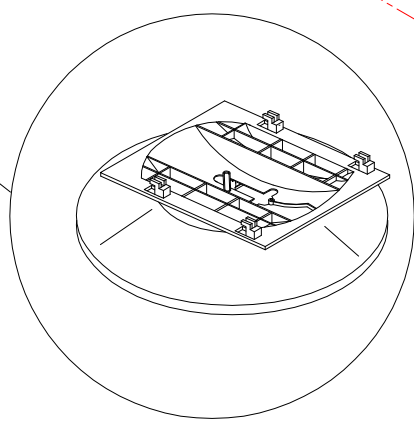
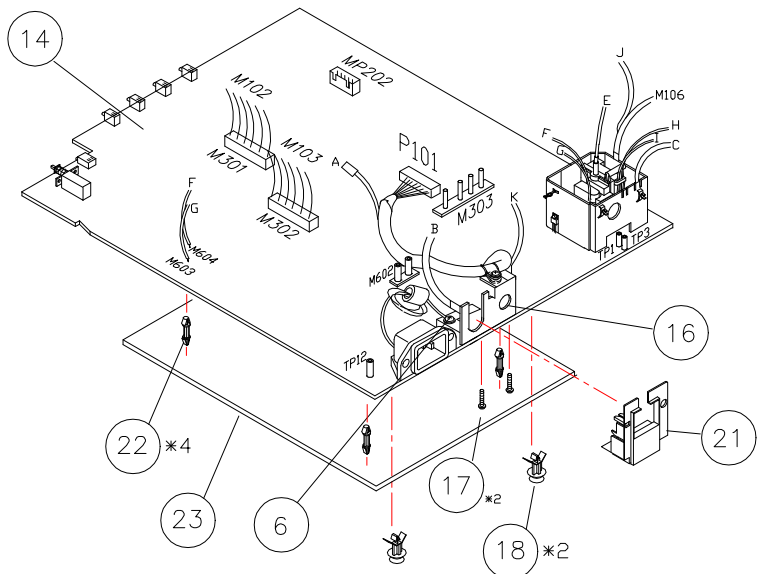
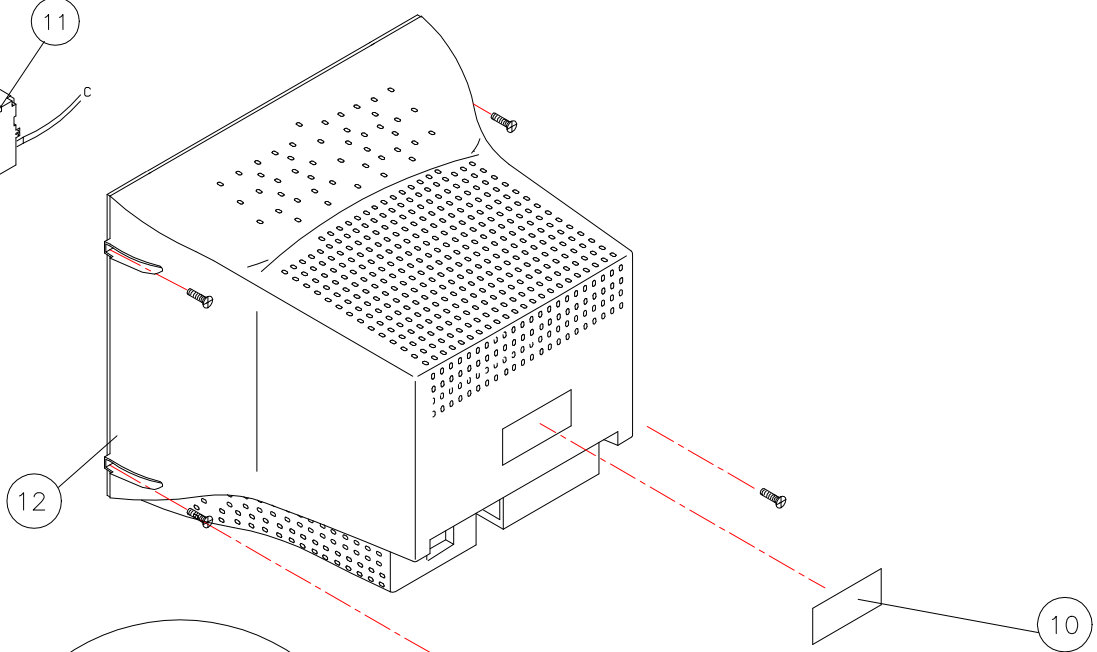
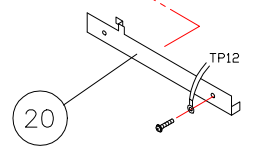
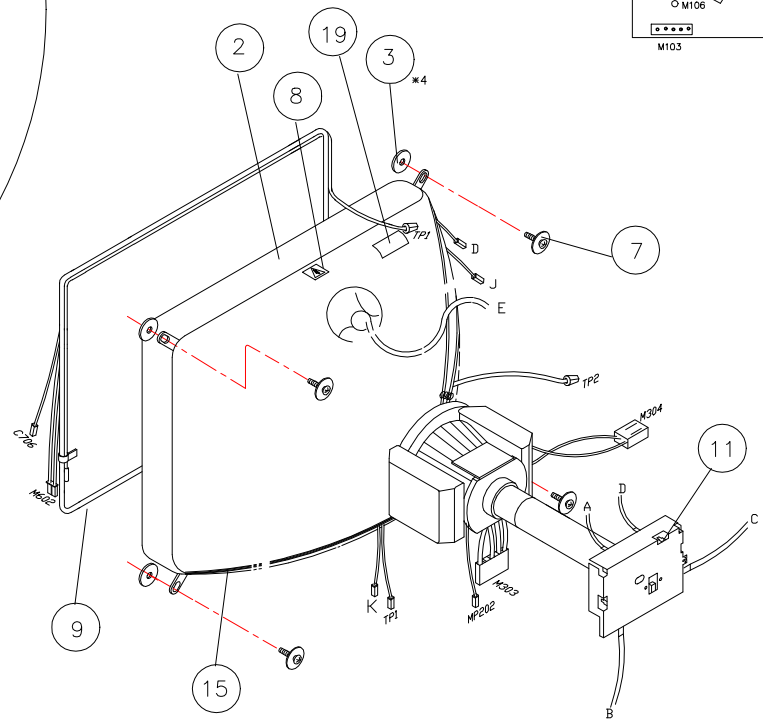
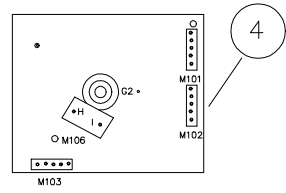
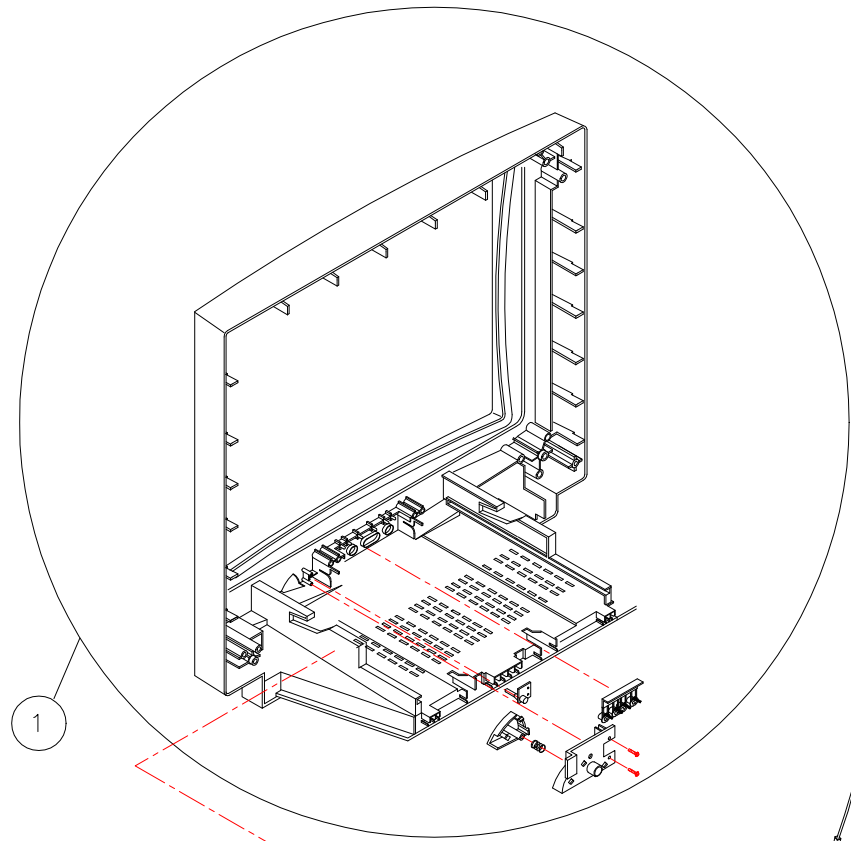
1. Resistor Values are in ohm, k=1,000ohm, M=1,000,000ohm
2. All resistors are 1/8W, 5% except where otherwise indicated
3. ∇ ∇ ∇ Represents PCB common ground.



Acer 明基電腦股份有限公司 Acer Peripherals, Inc.			
ACERVIEW 7377XE Video		SCHEMATIC	
SIZE A3	90202A00.SCH	FAB A	Doc.No. 304-C02
DATE : 5/4/1999	Sheet 1	OF 2	REV. 1
Project Code. 99.90271.001			
Prepared By	Reviewed By	Approved By	
CHRIS PENG 5/4/99	ARICES CHU 5/4/99	DAVEN WU 5/4/99	

ITEM NO.	PART NO	DESCRIPTION	HAZDOUS MATERIAL CONTENTS	QTY
1	60.90201.00X	ASSY BEZEL	PLEASE REFER TO ASSY DRAWING	1
2	56.05706.XXX	CRT 17"	ZINE,ANTIMONY,LEAD	1
3	47.73101.001	SPACER CRT	X	4
4	55.90202.XXX	PCB BD CRT	COPPE, TIN	1
5	86.PA526.160	SCREW TAP M4*16L	X	4
6	86.00010.161	SCRW TAPTILE TRS	X	1
7	86.00031.280	SCREW HEX W/WASHER M5*26L	X	4
8	45.71502.00X	LBL WARR HV ART 7015	X	1
9	19.00055.XXX	DEGAUTIDN COIL	LEAD,COPPER,ZINE,TIN,NICKEL	1
10	40.76601.40X	LABEL SPEC	X	1
11	31.72701.00X	SHIELDING CRT BD	TIN	1
12	39.90201.00X	UPPER CASE	X	1
13	60.90204.01X	ASS'Y BASE	X	1
14	55.90201.XXX	MAIN PCB	COPPE, TIN	1
15	50.90203.XXX	WIRE ASS'Y 4P BRAID	COPPER	1
16	33.70601.00X	REAR BRKT	ZINC	1
17	86.WD424.8R0	SCREW	X	2
18	42.90226.00X	SPACER PCB	X	2
19	45.73701.00X	LBL HV WARN ART 7033D	X	1
20	31.90201.00X	PLT SPTE	X	1
21	42.90203.00X	SINGLE CABLE COVER	X	1
22	42.79104.01X	SPACE SUPPRT NY66 SCB-6A	X	4
23	48.90203.XXX	PCB ISOLATION	X	1
24				
25				
26				
27				
28				
29				
30				
31				

* Hazardous materials are defined as the compounds C1-C18 in appendix 2 of the "European Communities Council Directive of 12 December 1991 on Hazardous Waste" (91/689/EEC). This includes beryllium, arsenic, selenium, cadmium, chromium(VI)-, cobalt-, copper-, zinc-, arsenic-, selenium-, silver-, cadmium-, tin-, antimony-, tellurium-, barium- (except barium phosphate), mercury-, nickel-, thallium- and lead compounds.



REV	DESCRIPTION	SIGN	DATE
A	FIRST ISSUE	SRLIA05-17-99	

SCALE	DIM IN	M.M
1:1	±0.1	±0.8
6-30	±0.2	±1.2
30-100	±0.3	±2.0
100-300	±0.5	±1/2"

DRN	S.R. LIAD	5-17-99	MATERIAL
CKD			
APPD			

NAME	ASS'Y DRAWING
FINISH	
明基電腦 Acer Peripherals, Inc.	
DRAWING NO.	57.90271.001