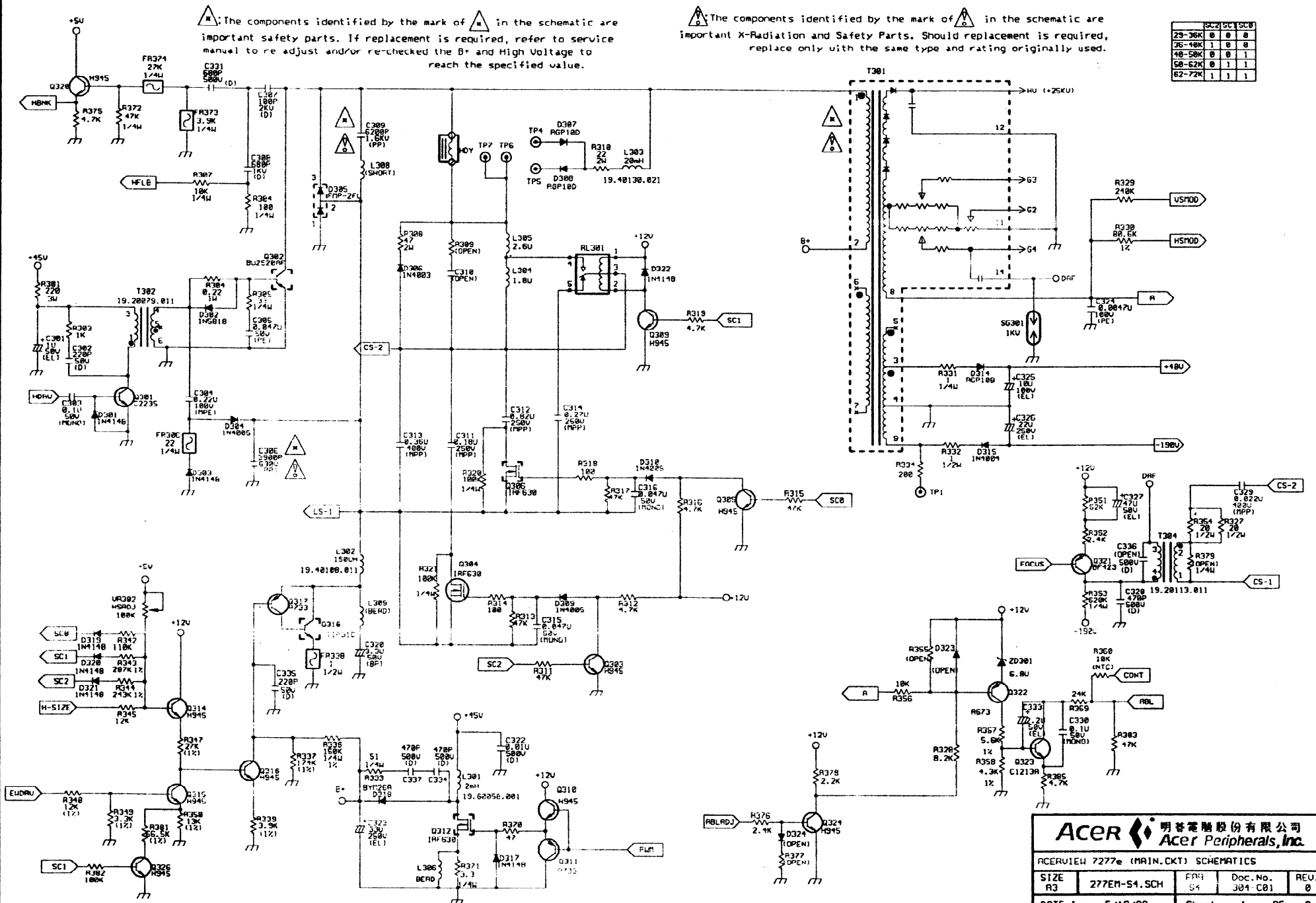


⚠: The components identified by the mark of **⚠** in the schematic are important safety parts. If replacement is required, refer to service manual to re adjust and/or rechecked the B+ and High Voltage to reach the specified value.

⚠: The components identified by the mark of **⚠** in the schematic are important X-Radiation and Safety Parts. Should replacement is required, replace only with the same type and rating originally used.

	SC2	SC1	SC0
29-36K	0	0	0
36-48K	1	0	0
48-58K	0	0	1
58-62K	0	1	1
62-72K	1	1	1

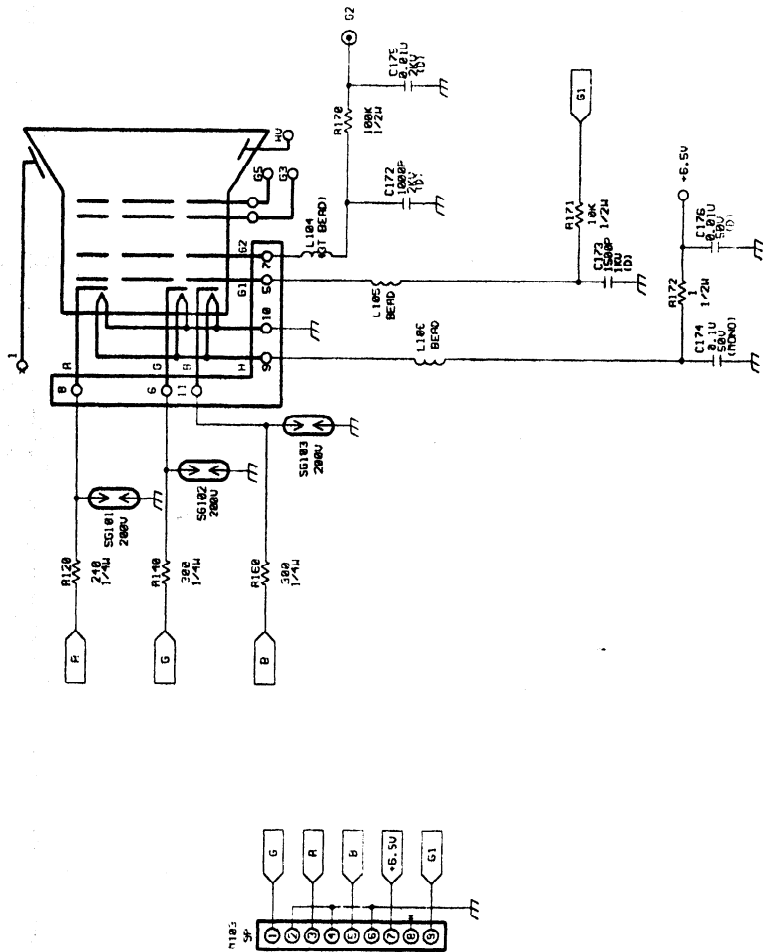


NOTES: 1. Resistor values are in ohm, K=1,000 ohm, M=1,000,000 ohm
 2. All resistors are 1/8 watt, 5% except where otherwise indicated
 3. \perp \oplus \ominus Represents PCB common ground.

ACER 明基電腦股份有限公司
Acer Peripherals, Inc.

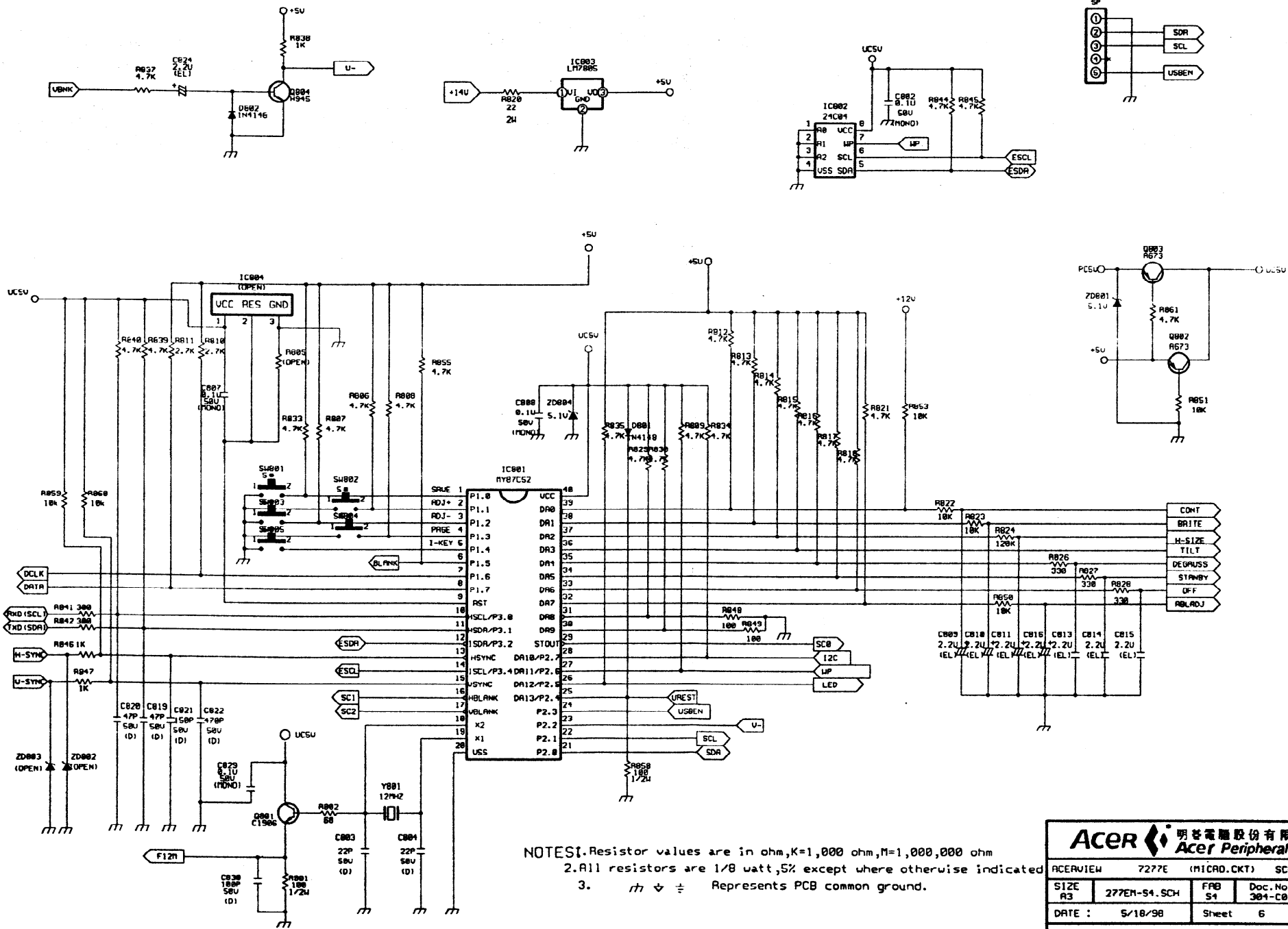
ACERVIEW 727E (MAIN.CKT) SCHEMATICS

SIZE R3	277EM-S4.SCH	FRN S4	Doc. No. J04 C01	REV. 0
DATE :	5/18/98	Sheet	1 OF 6	
Project Code.	91.70502.001			
Prepared By	Reviewed By	Approved By		
PDR/A-mpei Hsiao 05/18/98	PDR/Joe Chien 25/18/98	PDR/Da-ven Wu 25/18/98		



NOTES: Resistor values are in ohm, K=1,000 ohm, M=1,000,000 ohm
 2. All resistors are 1/8 watt, 5% except where otherwise indicated
 3. ∇ \rightarrow Represents PCB common ground.

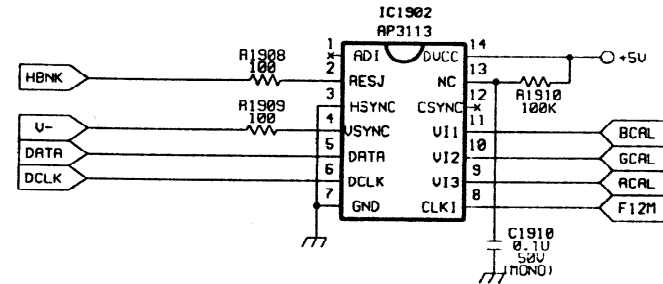
ACER 明基電腦股份有限公司 Acer Peripherals, Inc.		PROJECT CODE: 91.78092.001	
REVISION: 7277E	CRT-CKT1	SCHEMATIC	
SIZE: 277EC-S4.SCH	FAB: S4	Doc.No.: 304-C02	REV: 0
DATE: 5/18/98	Sheet: 1	OF: 1	
Prepared By: ppw/joe Dnt/en		Reviewed By: ppw/joe Dnt/en	
95/18/98		95/18/98	



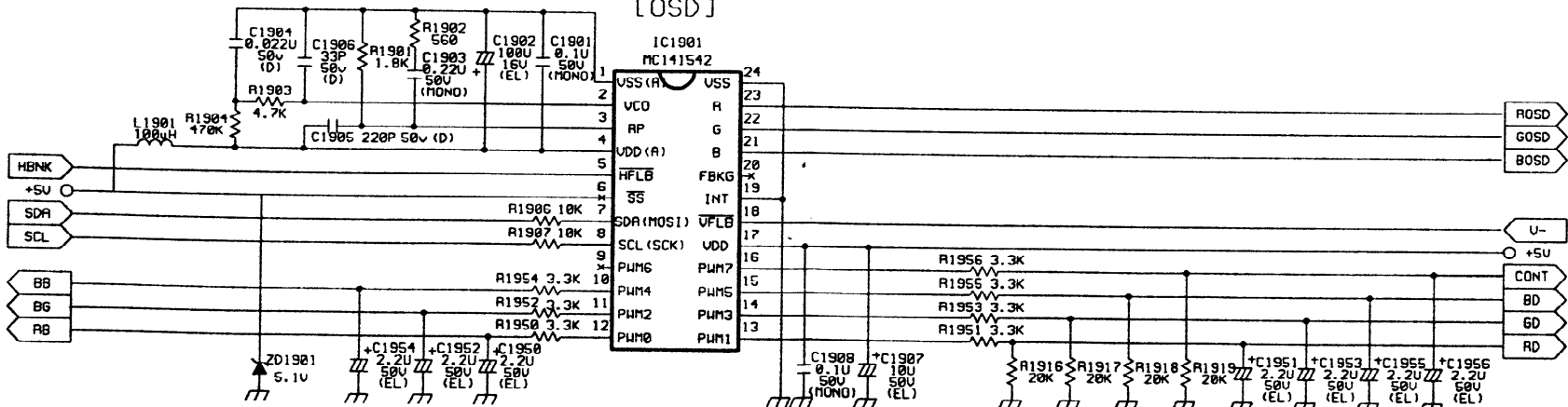
NOTES: 1. Resistor values are in ohm, K=1,000 ohm, M=1,000,000 ohm
 2. All resistors are 1/8 watt, 5% except where otherwise indicated
 3. $\text{---} \nabla \text{---}$ Represents PCB common ground.

ACER 明基電腦股份有限公司 Acier Peripherals, Inc.			
ACERVIEW	7277E	(MICRO. CKT)	SCHEMATIC
SIZE	277EH-S4.SCH	FAB	Doc. No.
A3	S4	304-C01	REV.
DATE :	5/18/98	Sheet	6 OF 6
Project Code.		91.72602.001	
Prepared By	Reviewed By	Approved By	
PDR/Annabel Hsiao	PDR/Mike Tung	PDR/Daven Wu	
05/18/98	05/18/98	05/18/98	

[Auto Calibration]

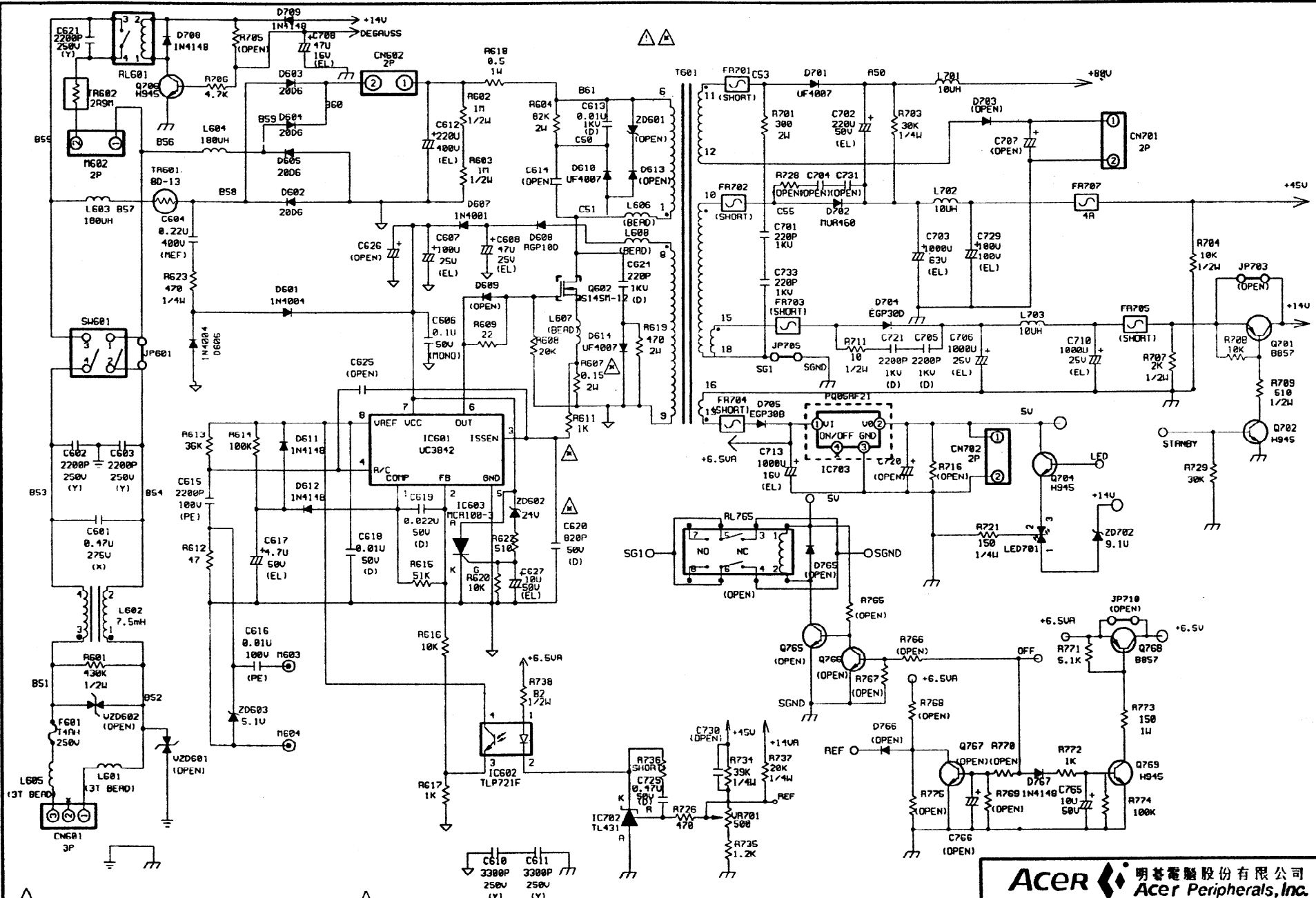


[OSD]



- NOTES:
1. Resistor values are in ohm, K=1,000 ohm, M=1,000,000 ohm
 2. All resistors are 1/8 watt, 5% except where otherwise indicated
 3. Represents PCB common ground.

明基電腦股份有限公司 Acer Peripherals, Inc.				
ACERUIEH 7277E (MAIN. CKT) SCHEMATICS				
SIZE A4	277EM-S4.SCH	FAB S4	Doc.No. 304-C01	REV. 0
DATE : 5/18/98		Sheet 5 OF 6		
Project Code.		91.72502.001		
Prepared By		Reviewed By		Approved By
PDR/Annabel Hsiao 05/18/98		PDR/Rike Tung 05/18/98		PDR/Daven Wu 05/18/98

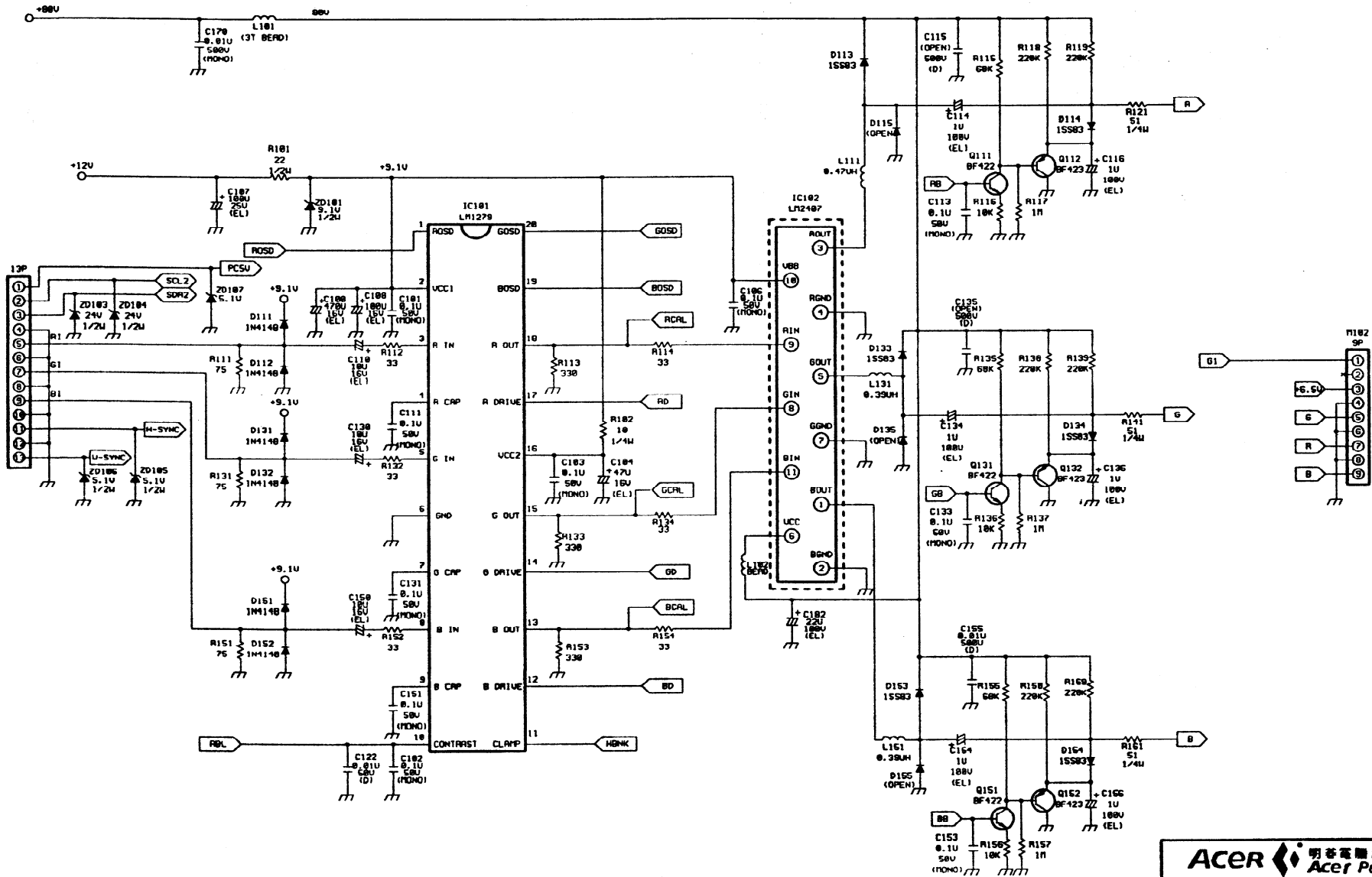


⚠️ : The components identified by the mark of ⚠️ in the schematic are important X-Radiation and Safety Parts. Should replacement is required, replace only with the same type and rating originally used.

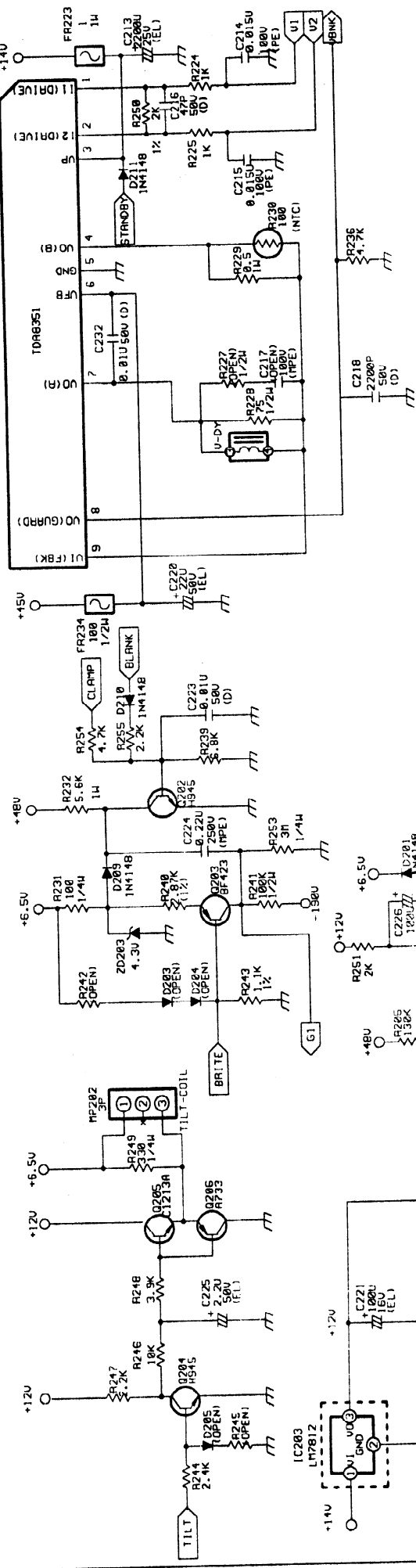
NOTES:
 1. Resistor values are in ohm, K=1,000 ohm, M=1,000,000 ohm
 2. All resistors are 5%, 1/8 watt except where otherwise indicated
 3. ⚡ ≡ Represents PCB common ground.

ACER 明基電腦股份有限公司
Acer Peripherals, Inc.

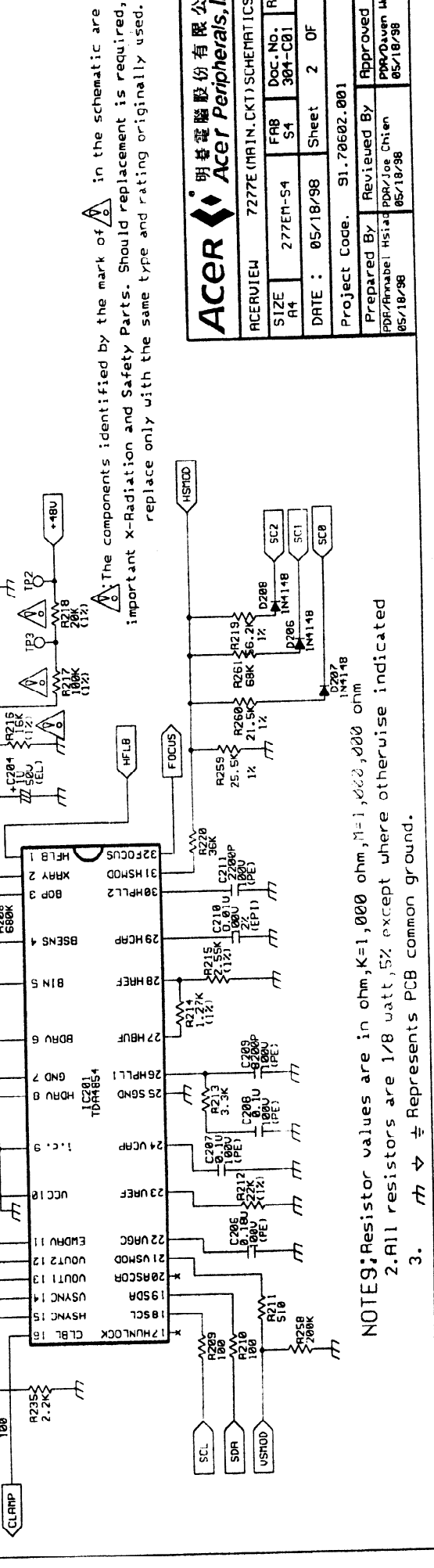
ACERVIEW	7277E (SPS.CKT)	SCHEMATICS		
SIZE	277EM-S4.SCH	FAB	Doc.No.	REV.
A3		S4	304-C01	0
DATE :	S/18/98	Sheet	4	OF 6
Project Code.		91.70602.001		
Prepared By	Reviewed By	Approved By		
PDR/Annabel Hsiao	PDR/GEORGE Sheu	PDR/Dauren Hu		
05/18/98	05/18/98	05/18/98		



ACER 明基電腦股份有限公司 Acer Peripherals, Inc.			
ACERVIEW 7277E (VIDEO) SCHEMATIC			
SIZE R3	277EM-S4.SCH	FAB S1	REV. B
DATE :	S/18/98	Doc.No. 384-C01	Sheet 3 OF 6
Project Code.		91.78682.001	
Prepared By PDR/Annabel Hsiao 05/18/98	Reviewed By PDR/Joe Chien 05/18/98	Approved By PDR/Dawn Lu 05/18/98	



△: The components identified by the mark of △ in the schematic are important safety parts. If replacement is required, refer to service manual to re-adjust or re-check the B+ and the high voltage to reach the specified value.



△: The components identified by the mark of △ in the schematic are important X-Radiation and Safety Parts. Should replacement is required, replace only with the same type and rating originally used.

NOTES: Resistor values are in ohm, K=1,000 ohm, M=1,000,000 ohm
 2. All resistors are 1/8 watt, 5% except where otherwise indicated
 3. \rightarrow Represents PCB common ground.

ACER 明基電腦股份有限公司	
ACERVIEW	7277E (MAIN.CKT) SCHEMATICS
SIZE A4	FAB 277E-H-S4
DATE : 05/18/98	Doc.No. 304-C01
Project Code. 91.70602.001	REV. 0
Prepared By PDR/hsien chen	Sheet 2 OF 6
Reviewed By 05/18/98	Approved By 05/18/98