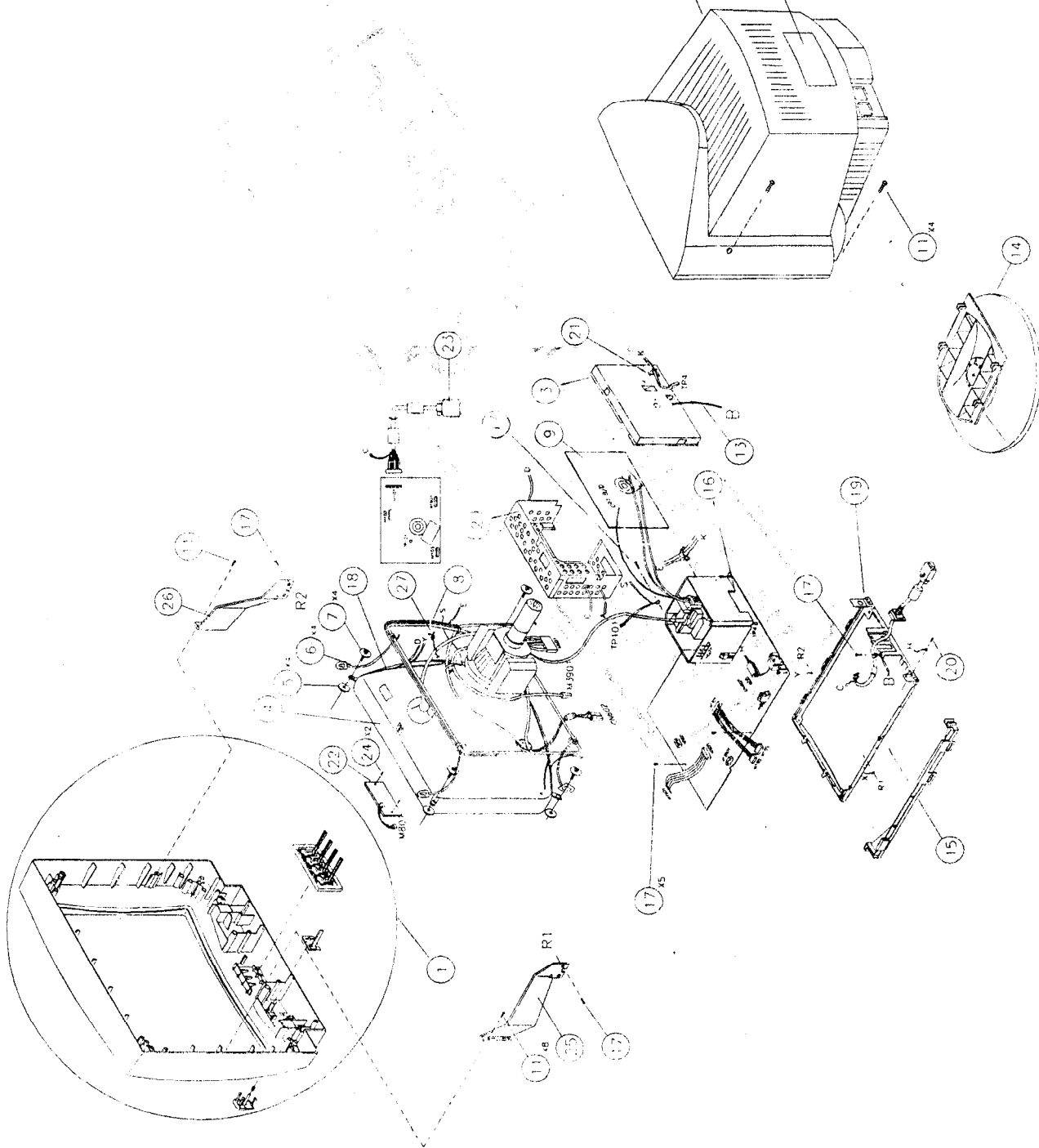
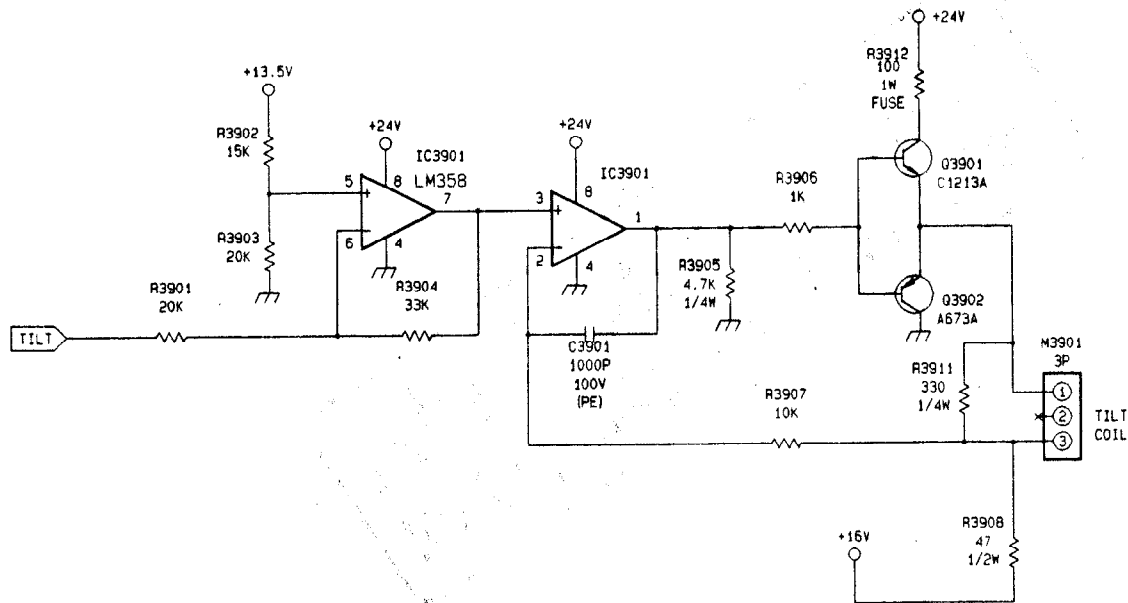


ITEM NO.	PART NO.	DESCRIPTION	QTY
1	60.1Z408.001	ASST BEL	1
2	31.7Z402.004	PLATE SHLD COVER	1
3	31.7Z401.000	PLATE SHLD REAR	1
4	56.9579.004	WRT 17	1
5	17.7187.004	GRF 504-09	4
6	34.5695.022	CLIP CABLE	4
7	56.30031.240	CONN HSS W/STP W/STP CON DATA	1
8	59.62317.000	CON RECAUSING 776E	1
9	55.7262.004	WREID BO	1
10	60.7Z409.004	ASSY CASE U	1
11	86.9A526.160	SCREW HP PAN W/LOCK W/CASE TO BZ	6
12	40.77927.000	SPK LGR	1
13	50.79333.033	W.A. IP(040) BD 110MM	1
14	00.72410.142	ASSY BASE ABS	1
15	42.7Z406.000	LINE POWER	1
16	55.7Z401.000	MAIN BD 7276	1
17	85.96742.900	SCREW TC CAP (17.7Z400-H MAIN, 02	1
18	50.1Z604.004	W.A. IP-6 BD 780MM	1
19	50.7Z431.000	ASSY DS-1-W/8	1
20	56.00010.160	SCREW HP W/ST W/ST MAIN, 000 W/ST	1
21	42.7Z401.001	WIRE CLIP	2
22	55.7Z406.000	PLT-INSULATION	1
23	50.7Z401.004	S.A. 13/16P 1840MM002 W/C	1
24	56.9A111.000	SCREW HP W/ST W/ST M.A.-SL	2
25	33.7Z404.000	UNIT-LEFT	1
26	33.7Z405.000	UNIT-RIGHT	1
27	42.75804.000	CABT CLIP	1
28			



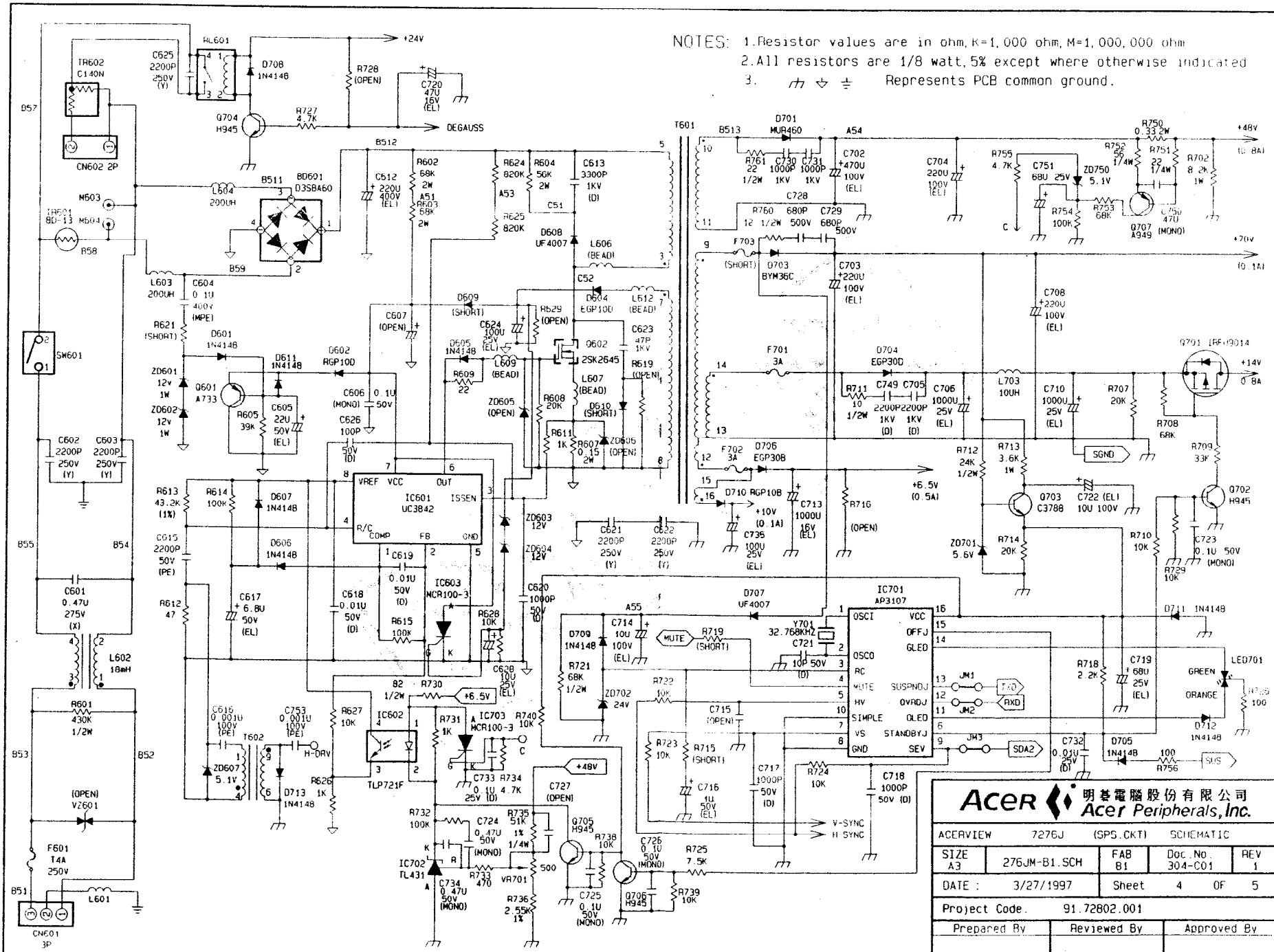
REV	DESCRIPTION	DATE	BY
1	ISSUE FOR MFG	11/17/90	...
2
3
4
5
6
7
8
9
10

MODEL NAME 7276/CHARLETON PROJECT CODE 91.729.01.01 PART NO. 91.72803.101 REV. 0 DOC NO. 407-C03



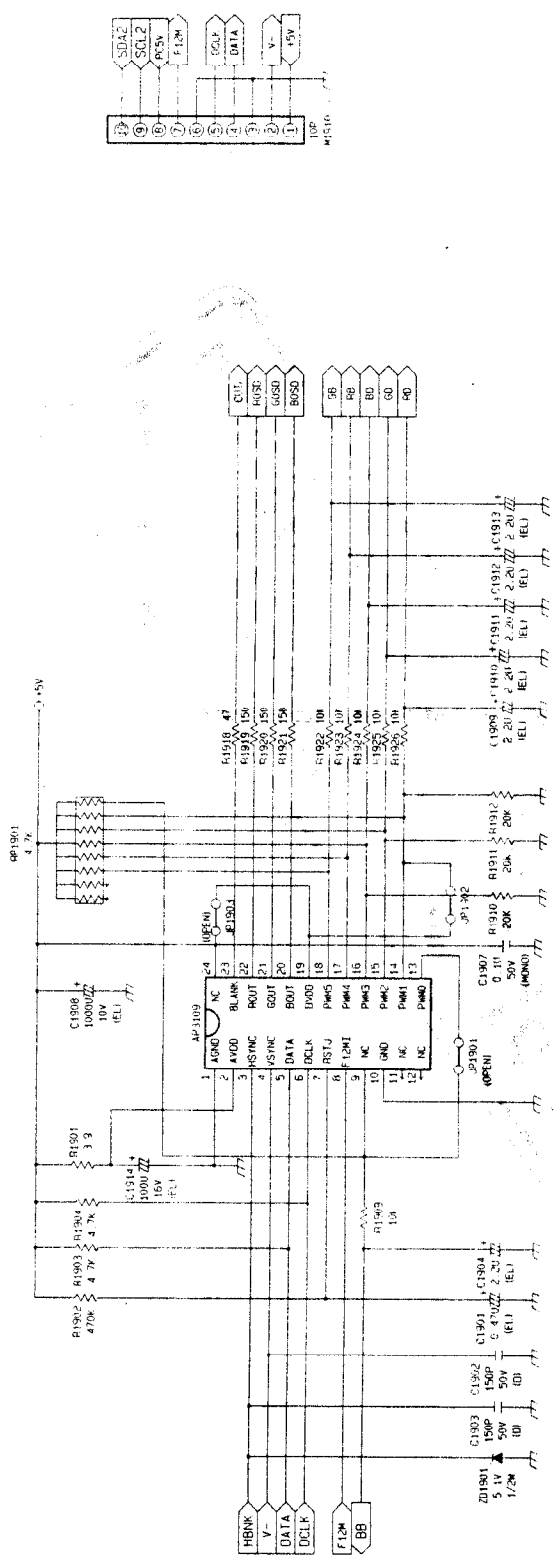
- NOTES: 1. Resistor values are in ohm, K=1,000 ohm, M=1,000,000 ohm
 2. All resistors are 1/8 watt, 5% except where otherwise indicated
 3. $\text{---} \text{---} \text{---}$ Represents PCB common ground.

ACER 明碁電腦股份有限公司 Acer Peripherals, Inc.				
ACERVIEW 7276J (ROTATION) SCHEMATICS				
SIZE A4	276JM-B1.SCH	FAB B1	Doc. No. 304-C01	REV. 1
DATE : 3/27/1997		Sheet 3 OF 5		
Project Code. 91.72802.001				
Prepared By	Reviewed By	Approved By		



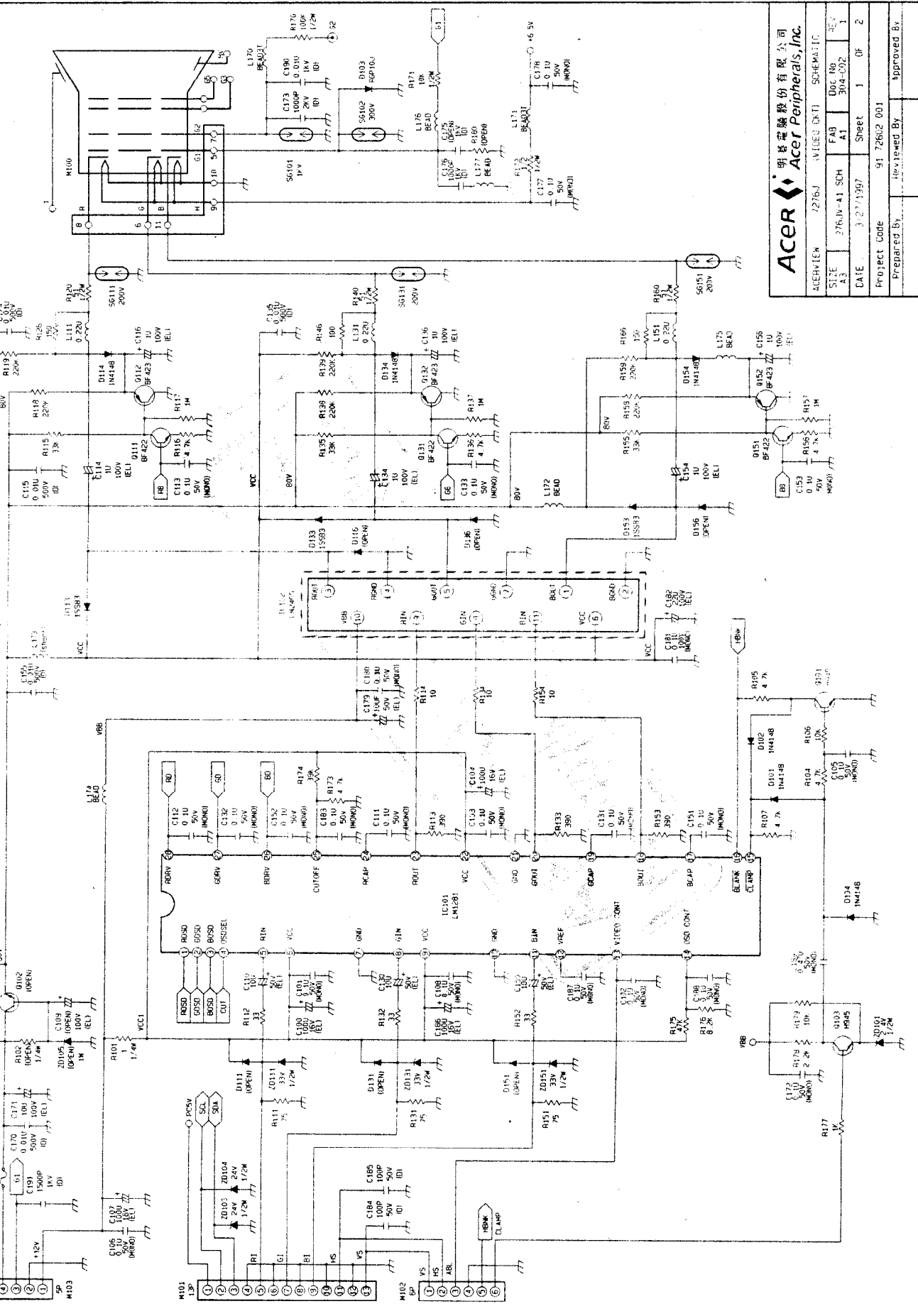
NOTES: 1. Resistor values are in ohm, K=1,000 ohm, M=1,000,000 ohm
 2. All resistors are 1/8 watt, 5% except where otherwise indicated
 3. ∇ ∇ ∇ Represents PCB common ground.

Acer 明基電腦股份有限公司 Acer Peripherals, Inc.				
ACERVIEW	7276J	(SP5. CKT)	SCHEMATIC	
SIZE	A3	276JM-B1. SCH	FAB	B1
			Doc. No.	304-C01
DATE :	3/27/1997	Sheet	4	OF 5
Project Code.	91.72802.001			
Prepared By	Reviewed By	Approved By		

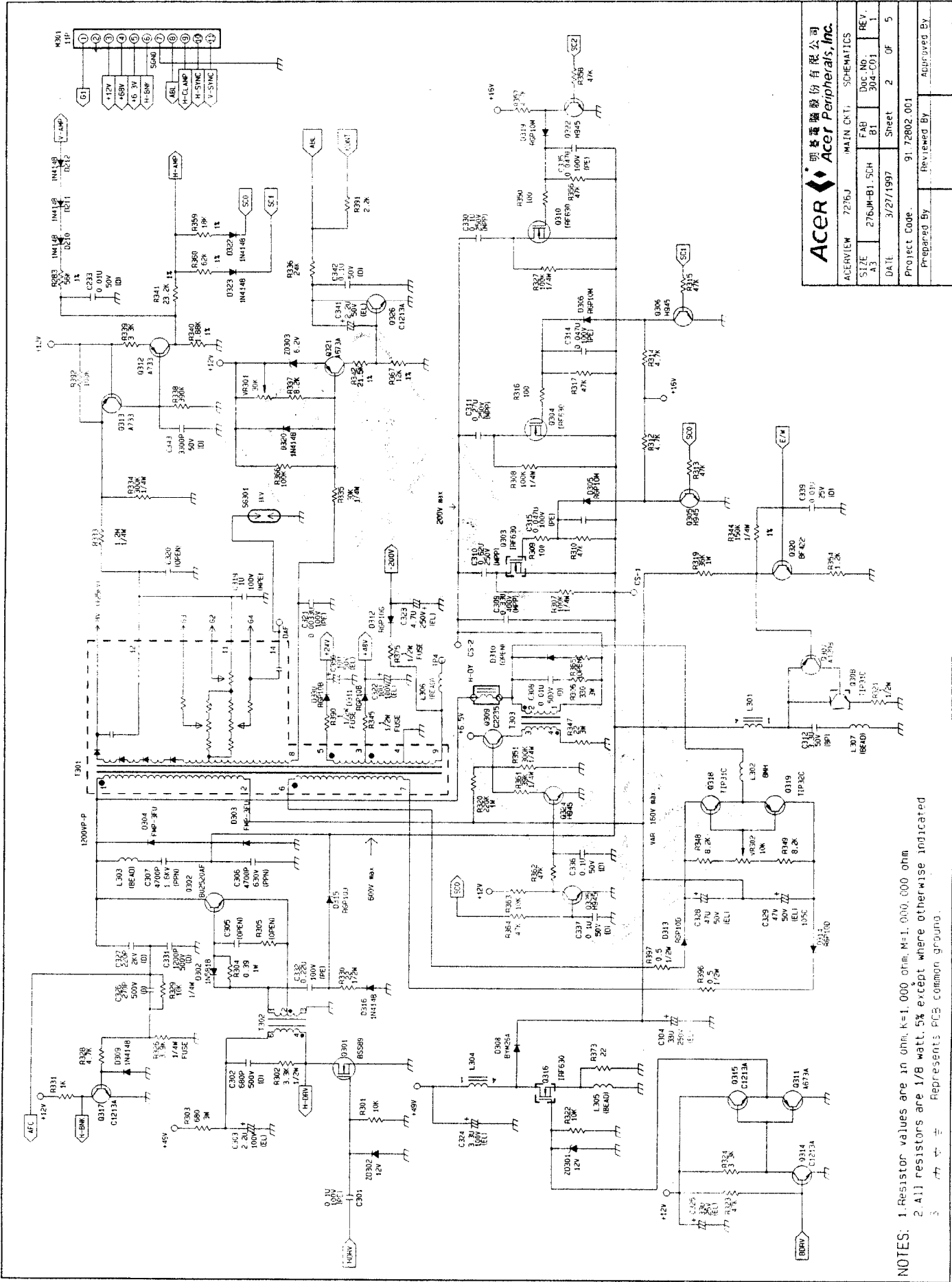


NOTES: 1. Resistor values are in ohms unless otherwise indicated.
 2. All resistors are 1% tolerance unless otherwise indicated.
 3. $\text{---} \text{---} \text{---} \#$ Represents PCB common ground.

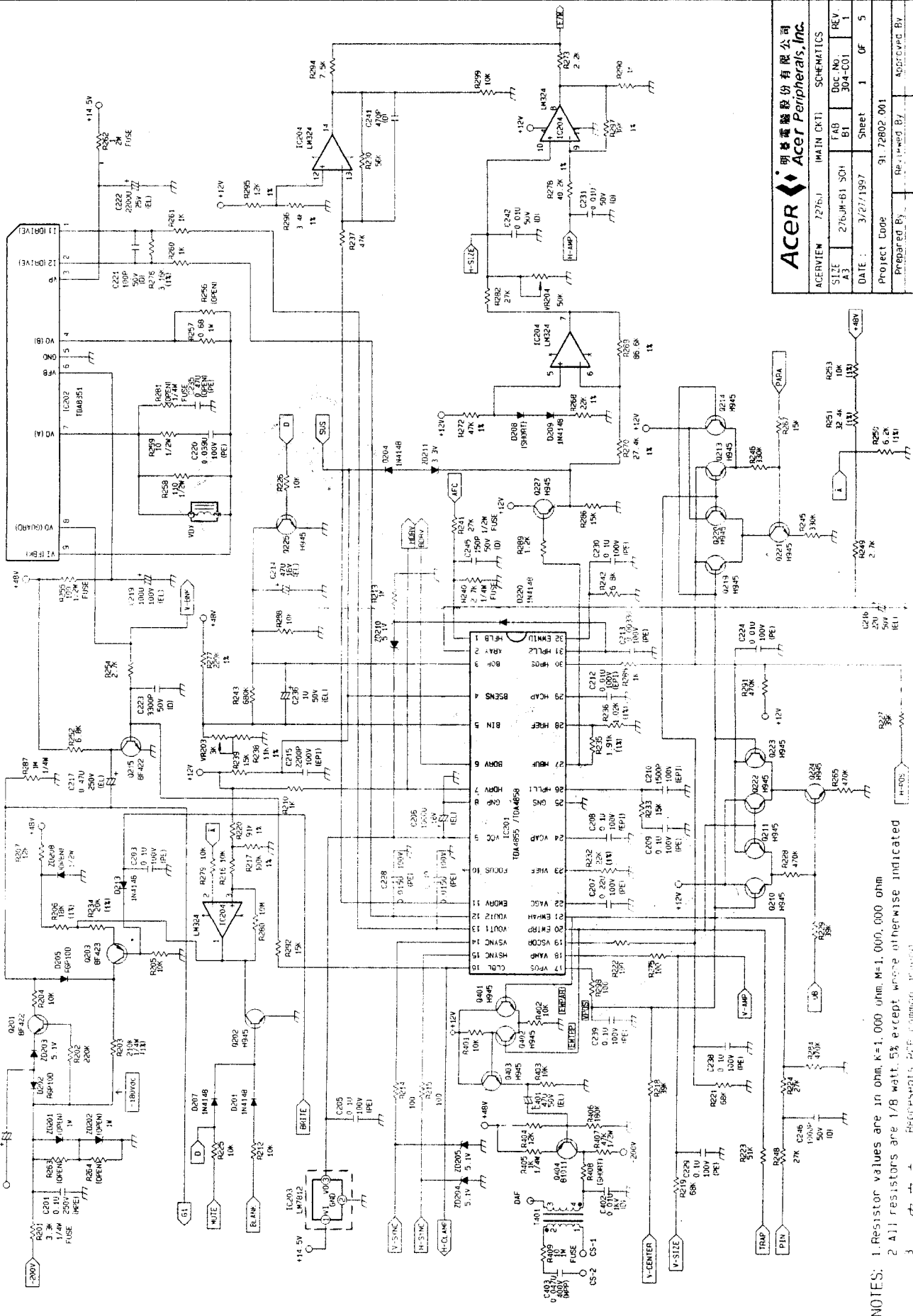
NOTES: 1 Resistor values are in Ohm's, K=1,000 Ohm, M=1,000,000 Ohm
 2 All resistors are 1/8 watt, 5% except where otherwise indicated
 3 \rightarrow Represents PCB common ground



ACER		明基電腦股份有限公司	
		ACER PERIPHERALS, INC.	
ACER/ICN	7276J	VIDEO CONT	SCHEMATIC
SIZE	A3	FAB NO	304-032
DATE	3-27-1997	Sheet	1 OF 2
Project Code	91 72602 001	Prepared By	Reviewed By
		Approved By	

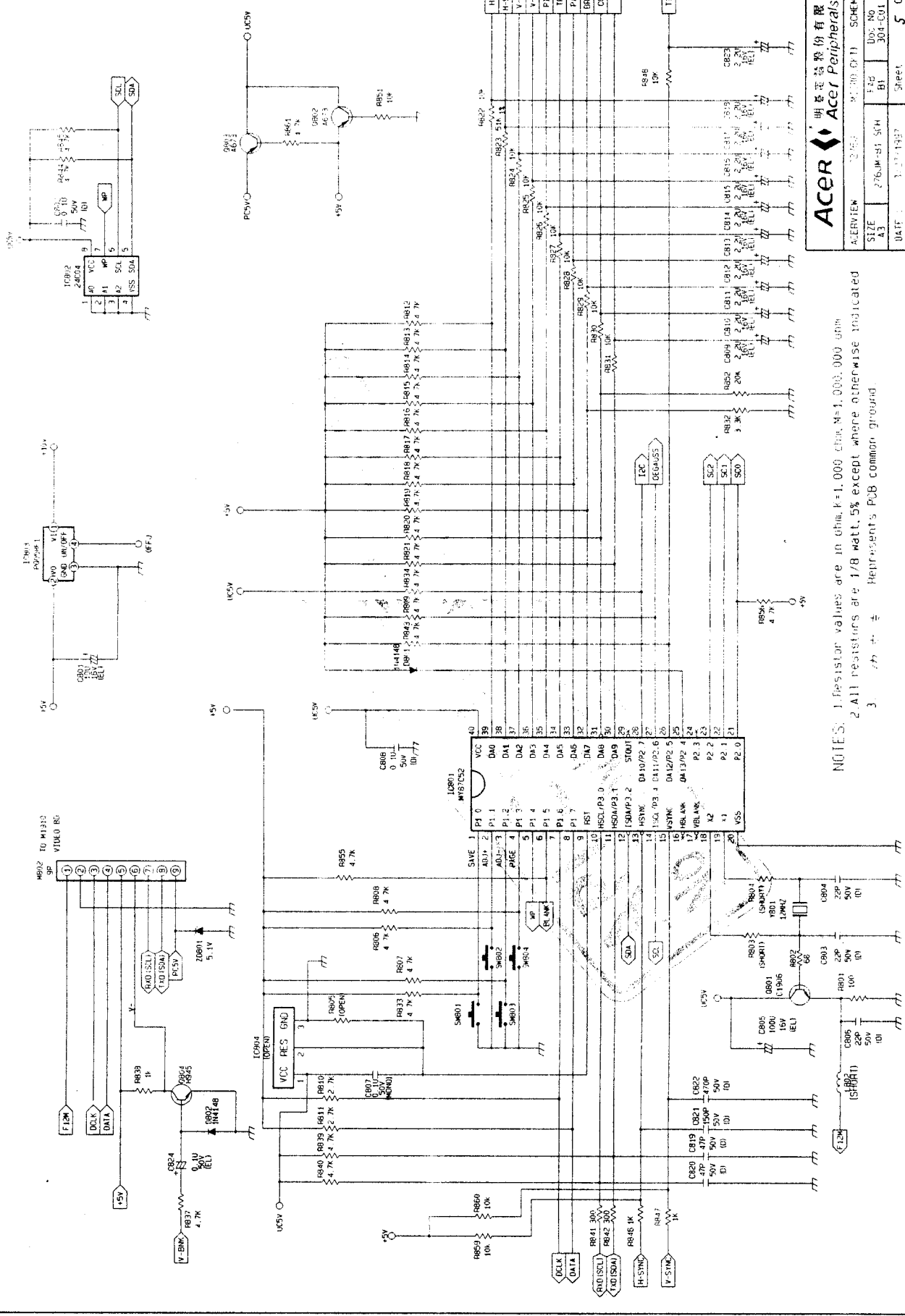


NOTES: 1. Resistor values are in ohm, k=1,000 ohm, M=1,000,000 ohm.
 2. All resistors are 1/8 watt, 5% except where otherwise indicated.
 3. ⚡ = Represents PCB common ground.

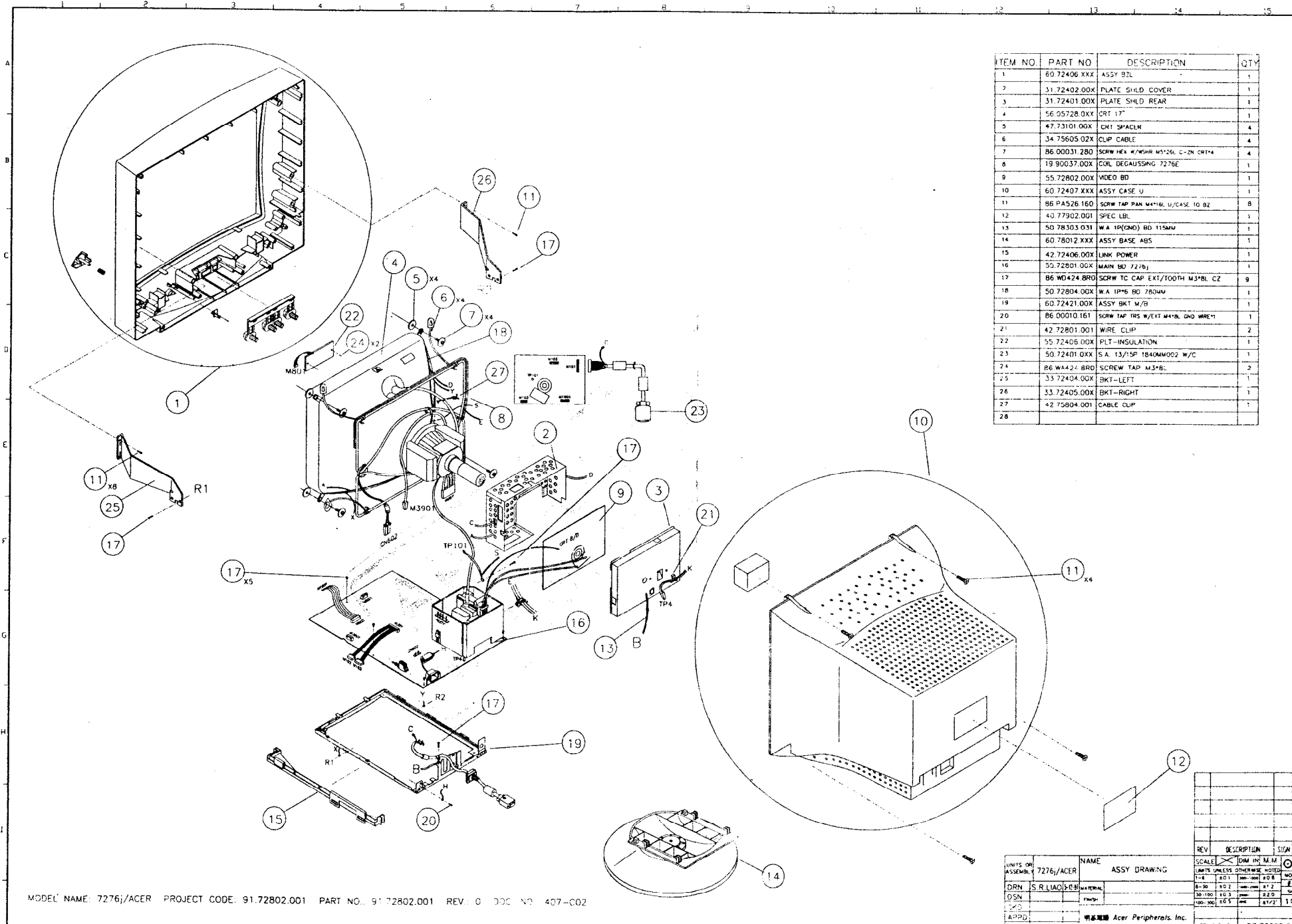


明基電腦股份有限公司 ACER PERIPHERALS, INC.	
ACERVIEW	72761 MAIN CKT1 SCHEMATICS
SIZE	FAB
A3	276JM-B1 SCH
DATE	3/27/1997
Project Code	91-72802-001
Prepared By	Reviewed By
Doc. No.	REV.
304-C01	1
Sheet	1 OF 5

NOTES: 1. Resistor values are in Ohm, K=1,000 Ohm, M=1,000,000 Ohm
 2. All resistors are 1/8 watt, 5% except where otherwise indicated
 3. ♣ ♣ ♣ Resistor's PCB Common group



NOTES: 1. Resistor values are in Ohm, K=1,000 Ohm, M=1,000,000 Ohm.
 2. All resistors are 1/8 watt, 5% except where otherwise indicated.
 3. // means common ground.



ITEM NO	PART NO	DESCRIPTION	QTY
1	60 72406 XXX	ASSY 92L	1
2	31 72402 00X	PLATE SHLD COVER	1
3	31 72401 00X	PLATE SHLD REAR	1
4	56 05728 01X	CRT 17"	1
5	47.73101 00X	CRT SPACER	4
6	34 75605 02X	CLIP CABLE	4
7	86 00031 280	SCRW HEX W/WSHR M5*26L C-ZN CR#4	4
8	19 90037 00X	COIL DEGAUSSING 7276E	1
9	55 72802 00X	VIDEO BD	1
10	60 72407 XXX	ASSY CASE U	1
11	86 PA526 160	SCRW TAP PAN M4*16L U/CASE 10 B2	8
12	40 77902 001	SPEC LBL	1
13	50 78303 031	W A 1P(GND) BD 115MM	1
14	60 78012 XXX	ASSY BASE ABS	1
15	42 72406 00X	LINK POWER	1
16	55 72801 00X	MAIN BD 7276j	1
17	86 WD424 BRD	SCRW TC CAP EXT/TOOTH M3*BL CZ	9
18	50 72804 00X	W A 1P*6 BD 780MM	1
19	60 72421 00X	ASSY BKT M/B	1
20	86 00010 161	SCRW TAP TRS W/EXT MAT'L DHD WIRE#1	1
21	42 72801 001	WIRE CLIP	2
22	55 72406 00X	PLT-INSULATION	1
23	50 72401 0XX	S A 13/15P 1840MM002 W/C	1
24	86 WA424 BRD	SCREW TAP M3*BL	2
25	33 72404 00X	BKT-LEFT	1
26	33 72405 00X	BKT-RIGHT	1
27	42 75804 001	CABLE CLIP	1
28			

MODEL NAME: 7276j/ACER PROJECT CODE: 91.72802.001 PART NO.: 91.72802.001 REV: 0 DCC NO: 407-C02

UNITS OR ASSEMBLY	NAME	SCALE	REV	DESCRIPTION	SIGN	DATE
7276j/ACER	ASSY DRAWING	1:1				
ORIN	S R LIAO/PER					
OSN						
APPD						

UNITS OR ASSEMBLY	NAME	SCALE	REV	DESCRIPTION	SIGN	DATE
7276j/ACER	ASSY DRAWING	1:1				
ORIN	S R LIAO/PER					
OSN						
APPD						

UNITS OR ASSEMBLY	NAME	SCALE	REV	DESCRIPTION	SIGN	DATE
7276j/ACER	ASSY DRAWING	1:1				
ORIN	S R LIAO/PER					
OSN						
APPD						

UNITS OR ASSEMBLY	NAME	SCALE	REV	DESCRIPTION	SIGN	DATE
7276j/ACER	ASSY DRAWING	1:1				
ORIN	S R LIAO/PER					
OSN						
APPD						