

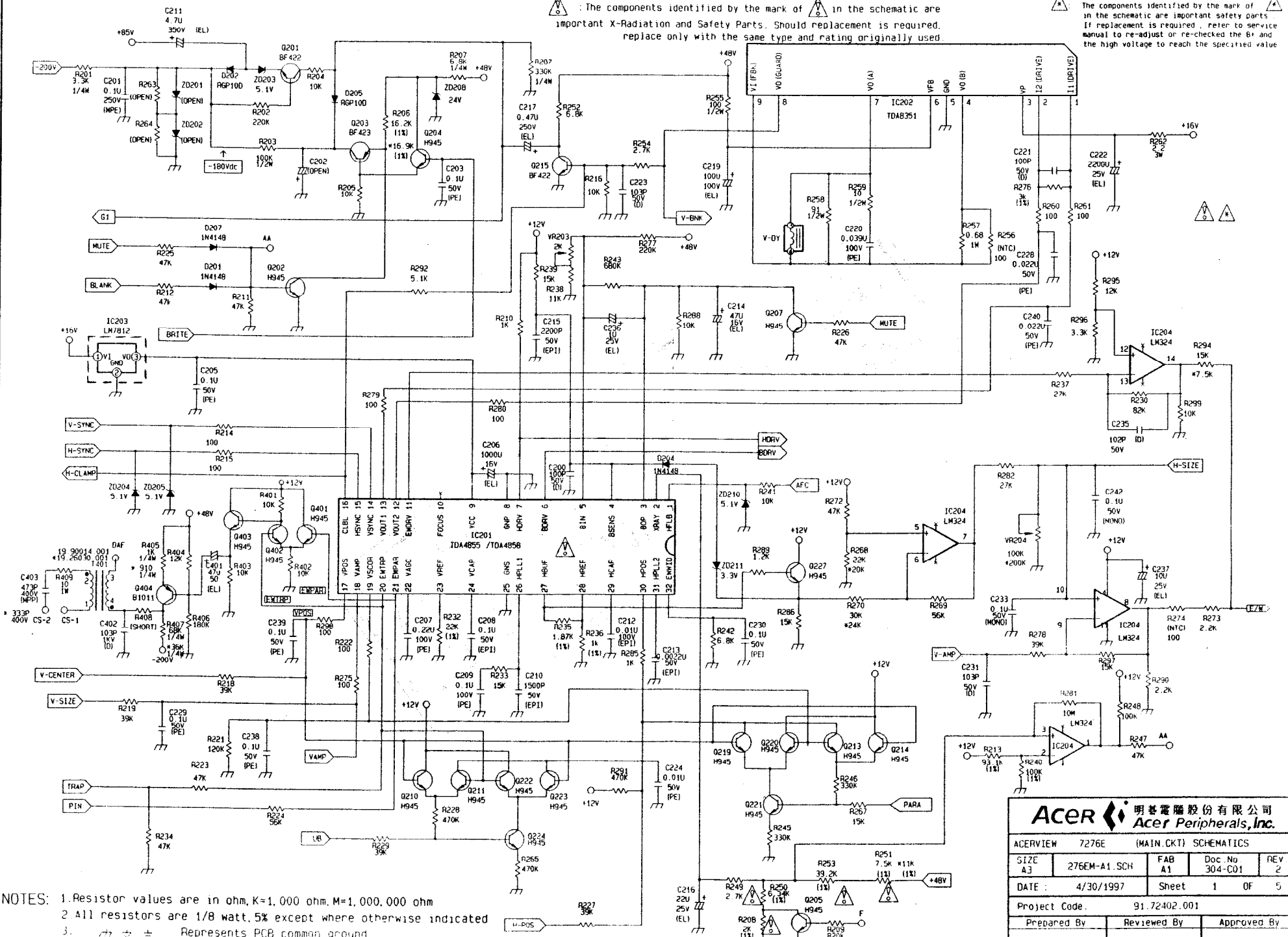



ITEM NO	PART NO	DESCRIPTION	QTY
1	60 72406 XXX	ASSY CASE	1
2	31 72402 00X	PLATE SHLD COVER	1
3	31 72401 00X	PLATE SHLD REAR	1
4	56 05728 01X	CRT 12"	1
5	47 73101 00X	CRT SPACER	4
6	34 75605 02X	CLIP CABLE	4
7	86 00031 280	SCRM HEX W/NSHR M5-2BL C-ZN CRT#4	4
8	19 90037 00X	CON DEGAUSSING 7276E	1
9	55 72402 00X	WDEO BD	1
10	60 72407 XXX	ASSY CASE U	1
11	86 PA526.160	SCRM TAP PAN W/HTL U/CASE 10 BZ	6
12	40 77902 001	SPEC LBL	1
13	50 60311 01X	W.A 1P(OR) BZ 115MM	1
14	80 78012 XXX	ASSY BASE ABS	1
15	42 72405 00X	LINK POWER	1
16	55 72401 00X	MAIN BD 7276J	1
17	86 WD424.8RD	SCRM TC CAP EXT/100TH M3-BL C2	2
18	50 72804 00X	W.A 1P-6 BD 780MM	1
19	33 72403 00X	BKT W/B	1
20	86 10010 161	SCRM TAP BLS W/EXT M4-BS CHO WIRE#1	1
21	42 73105 00X	CLIP FBI	1
22	40 72401 00X	PLT-INSULATION	4
23	50 72401 00X	SA 12/5P 1640MM02 W/C	1
24	50 72803 00X	W.A 1P 1015#22 130MM	1
25	33 72404 00X	BKT-LEFT	1
26	33 72405 00X	BKT-RIGHT	1
27	42 75804 001	CABLE CLIP	1
28	42 72801 001	WIRE CLIP	3


REV	DESCRIPTION	DATE
1	ASSY DRAWING	
SCALE	1:1	
NAME	ACER PERIPHERALS INC.	
DATE	1987	
BY		
CHECKED		
APPROVED		

The components identified by the mark of  in the schematic are important X-Radiation and Safety Parts. Should replacement is required, replace only with the same type and rating originally used.

The components identified by the mark of  in the schematic are important safety parts. If replacement is required, refer to service manual to re-adjust or re-checked the B+ and the high voltage to reach the specified value.

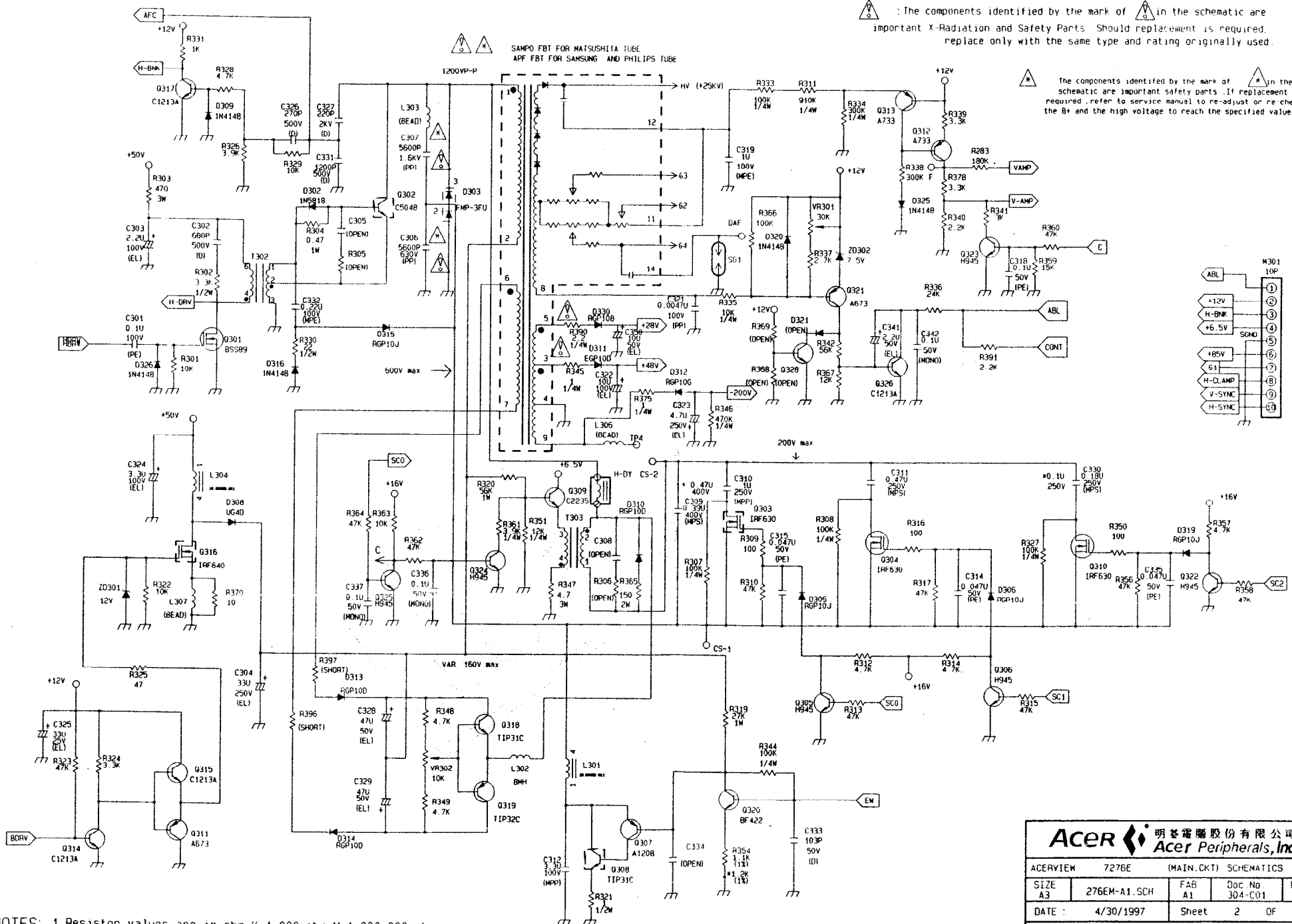


- NOTES: 1. Resistor values are in ohm, K=1,000 ohm, M=1,000,000 ohm
 2. All resistors are 1/8 watt, 5% except where otherwise indicated
 3.  Represents PCB common ground.

ACER  明基電腦股份有限公司 Acer Peripherals, Inc.			
ACERVIEW	7276E	(MAIN.CKT) SCHEMATICS	
SIZE	A3	FAB	Doc.No 304-C01
DATE	4/30/1997	Sheet	1 OF 5
Project Code.		91.72402.001	
Prepared By	Reviewed By	Approved By	

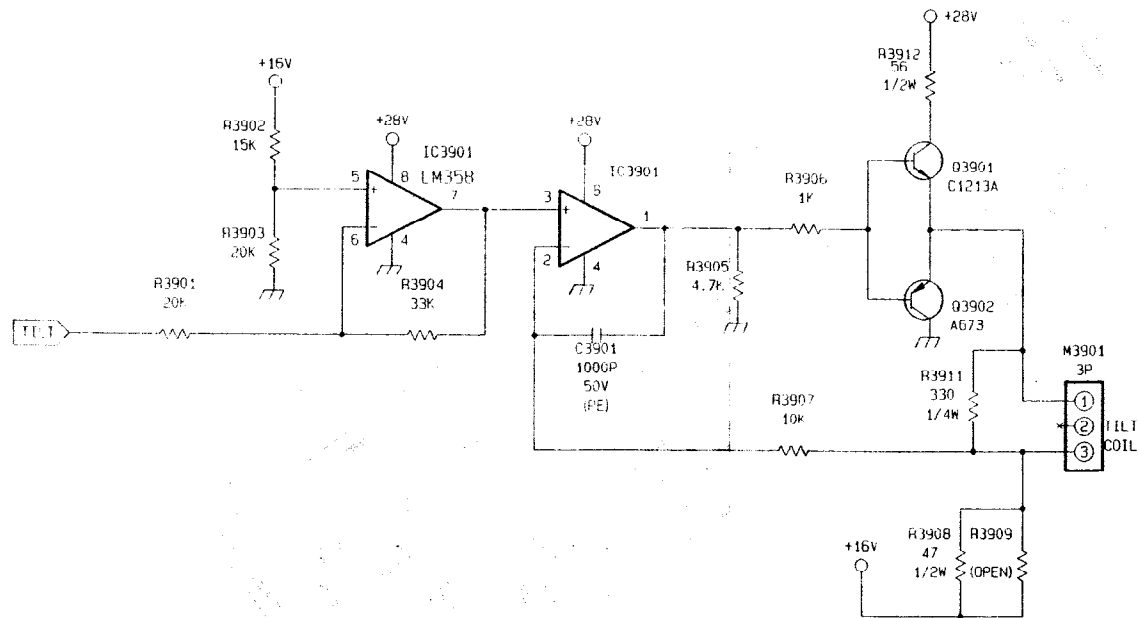
⚠ : The components identified by the mark of ⚠ in the schematic are important X-Radiation and Safety Parts. Should replacement is required, replace only with the same type and rating originally used.

⚠ The components identified by the mark of ⚠ in the schematic are important safety parts. If replacement is required, refer to service manual to re-adjust or re-check the B+ and the high voltage to reach the specified value.



NOTES: 1. Resistor values are in ohm, K=1,000 ohm, M=1,000,000 ohm
 2. All resistors are 1/8 watt, 5% except where otherwise indicated
 3. ⏏ = Represents PCB common ground.

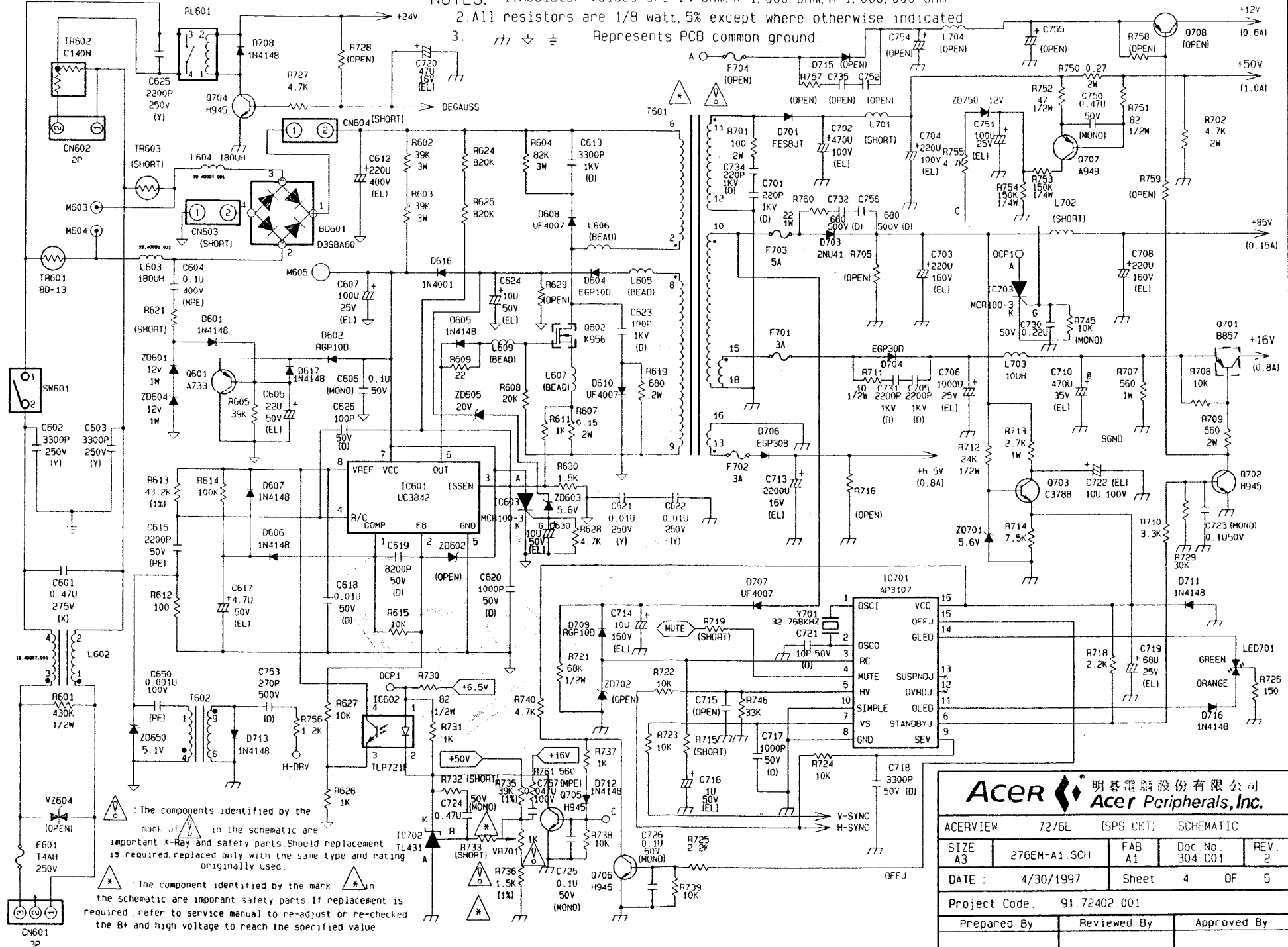
Acer 明基電腦股份有限公司 Acer Peripherals, Inc.				
ACERVIEW	7276E	(MAIN.CKT) SCHEMATICS		
SIZE	A3	276EM-A1.SCH	FAB A1	Doc No. 304-C01
DATE	4/30/1997	Sheet	2	OF 5
Project Code.		91.72402.001		
Prepared By	Reviewed By	Approved By		



- NOTES:
1. Resistor values are in ohm, K=1,000 ohm, M=1,000,000 ohm
 2. All resistors are 1/8 watt, 5% except where otherwise indicated
 3. $\text{---} \rightarrow \text{---}$ Represents PCB common ground.

明基電腦股份有限公司 Acer Peripherals, Inc.				
ACERVIEW 7275E (ROTATION) SCHEMATICS				
SIZE A4	276EM-A1 SCH	FAB A1	Doc.No. 304-C01	REV. 3
DATE : 4/30/1997		Sheet 3 OF 5		
Project Code 91.72402.001				
Prepared By		Reviewed By		Approved By

NOTES: 1. Resistor values are in ohm, K=1,000 ohm, M=1,000,000 ohm
 2. All resistors are 1/8 watt, 5% except where otherwise indicated
 3. ∇ ∇ ∇ Represents PCB common ground.

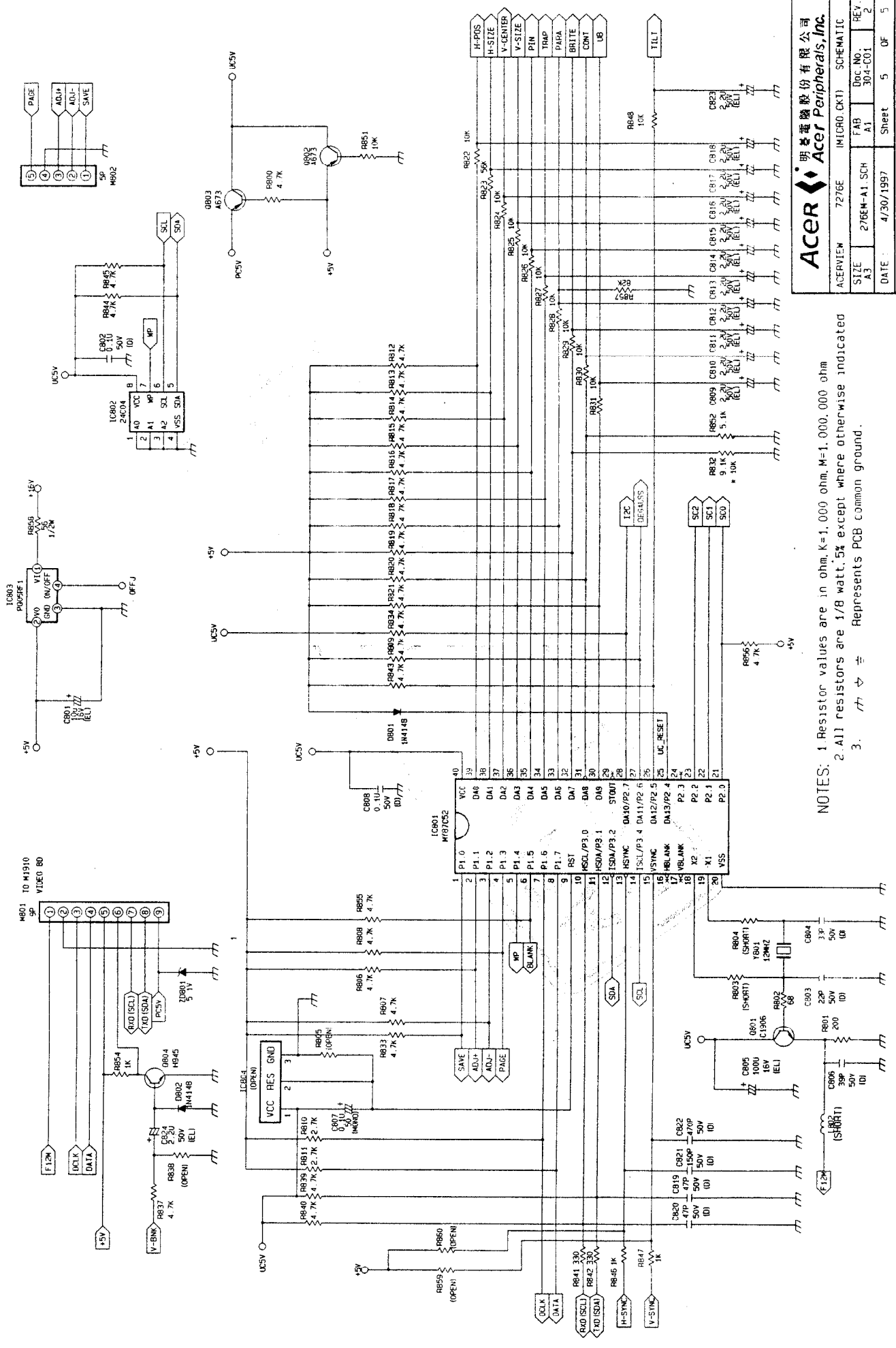


The components identified by the mark of ∇ in the schematic are important X-Ray and safety parts. Should replacement is required, replaced only with the same type and rating originally used.

* The component identified by the mark ∇ in the schematic are important safety parts. If replacement is required, refer to service manual to re-adjust or re-checked the B+ and high voltage to reach the specified value.

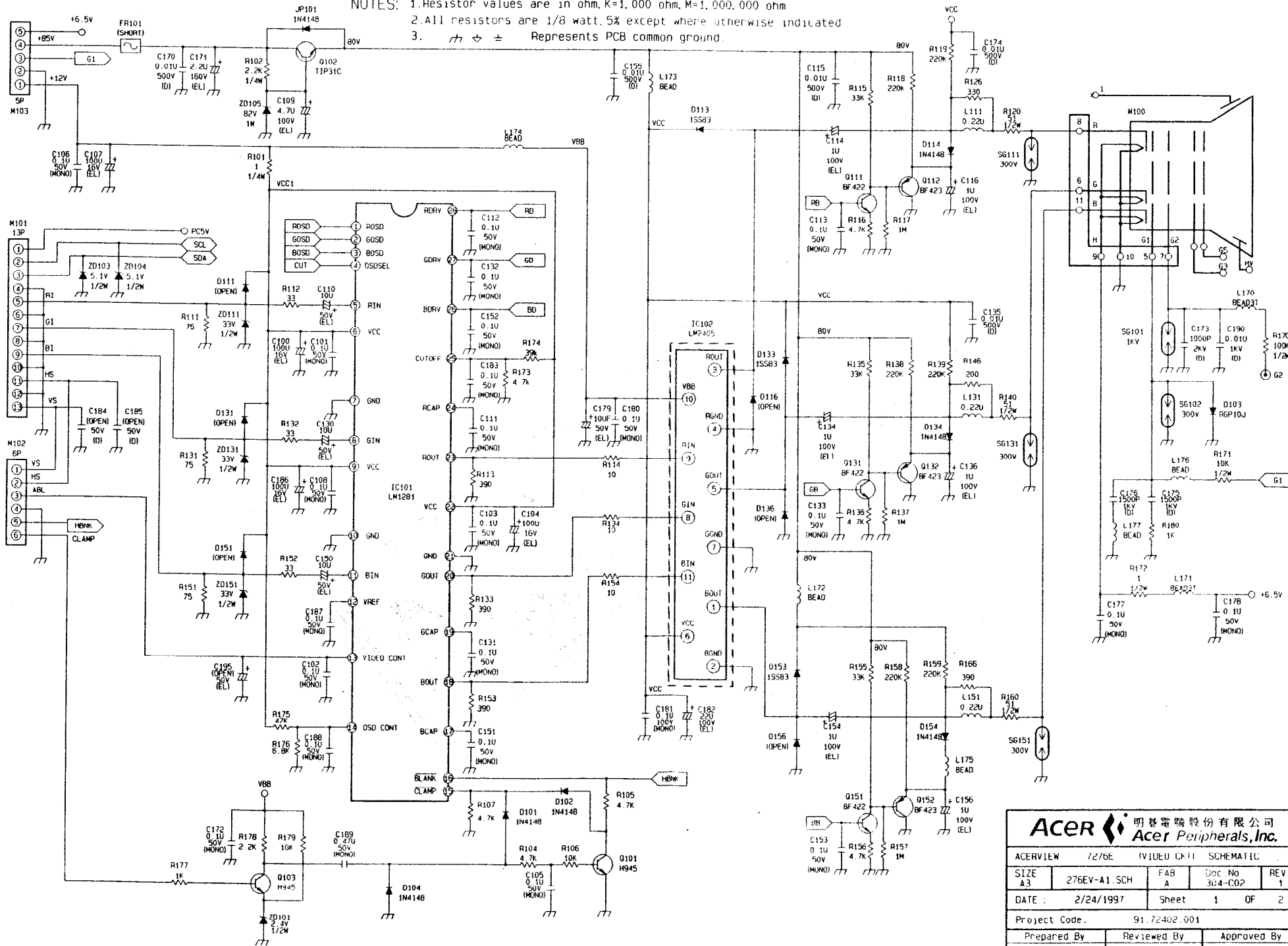
Acer 明基電腦股份有限公司
Acer Peripherals, Inc.

ACERVIEW	7276E	(SPS CKT)	SCHEMATIC	
SIZE A3	276EM-A1.SCH	FAB A1	Doc. No. 304-C01	REV. 2
DATE : 4/30/1997	Sheet 4	OF 5		
Project Code. 91.72402.001				
Prepared By	Reviewed By	Approved By		

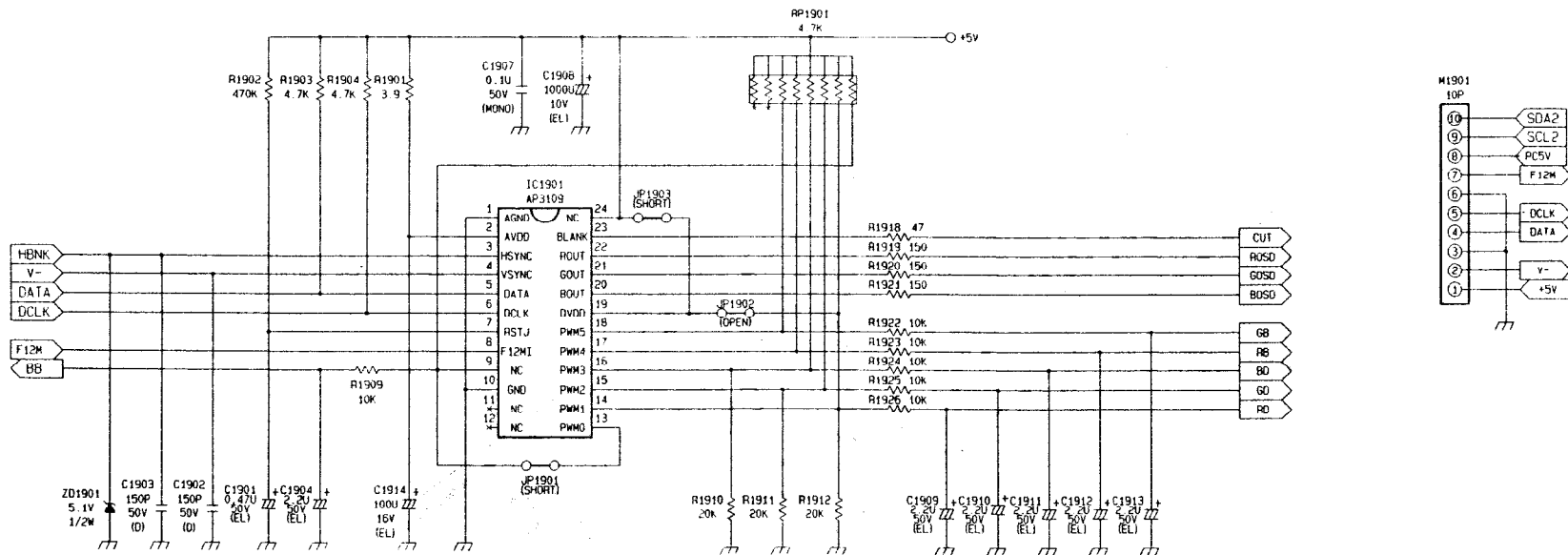


NOTES: 1. Resistor values are in ohm, K=1,000 ohm, M=1,000,000 ohm
 2. All resistors are 1/8 watt, 5% except where otherwise indicated
 3. ∇ ∇ ∇ Represents PCB common ground.

NOTES: 1. Resistor values are in ohm, K=1,000 ohm, M=1,000,000 ohm
 2. All resistors are 1/8 watt, 5% except where otherwise indicated
 3. $\text{---} \text{---} \text{---}$ Represents PCB common ground.



ACERVIEW 7276E		IVIDEU CRT1		SCHEMATIL	
SIZE A3	276EV-A1.SCH	FAB A	Doc No 304-C02	REV 1	
DATE: 2/24/1997		Sheet 1 OF 2			
Project Code: 91.72402.001					
Prepared By		Reviewed By		Approved By	



- NOTES: 1. Resistor values are in ohm, K=1,000 ohm, M=1,000,000 ohm
 2. All resistors are 1/8 watt, 5% except where otherwise indicated
 3. $\text{---} \cap \text{---}$ Represents PCB common ground.

Acer 明基電腦股份有限公司
 Acer Peripherals, Inc.

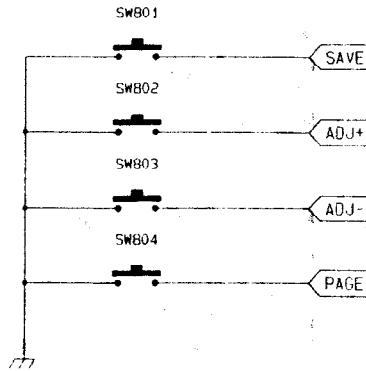
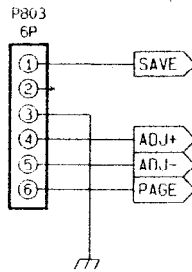
ACERVIEW 7276E (OSD_CKT1) SCHEMATIC

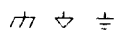
SIZE A3	276EV-A1_SCH	FAB A	Doc.No. 304-C02	REV. 1
---------	--------------	-------	-----------------	--------


DATE	2/24/1997	Sheet	2 OF 2
------	-----------	-------	--------

Project Code. 91.72402.001

Prepared By	Reviewed By	Approved By
-------------	-------------	-------------



- NOTES: 1. Resistor values are in ohm, K=1,000 ohm, M=1,000,000 ohm
 2. All resistors are 1/8 watt, 5% except where otherwise indicated
 3.  Represents PCB common ground.

 明基電腦股份有限公司 Acer Peripherals, Inc.				
ACERVIEW 7276C (CTRL. CKT) SCHEMATIC				
SIZE A4	276JC-A0 SCH	FAB A0	Doc. No. 304-C03	REV. 0
DATE : 4/25/1997		Sheet 1 OF 1		
Project Code: 91.72802.102				
Prepared By		Reviewed By		Approved By