

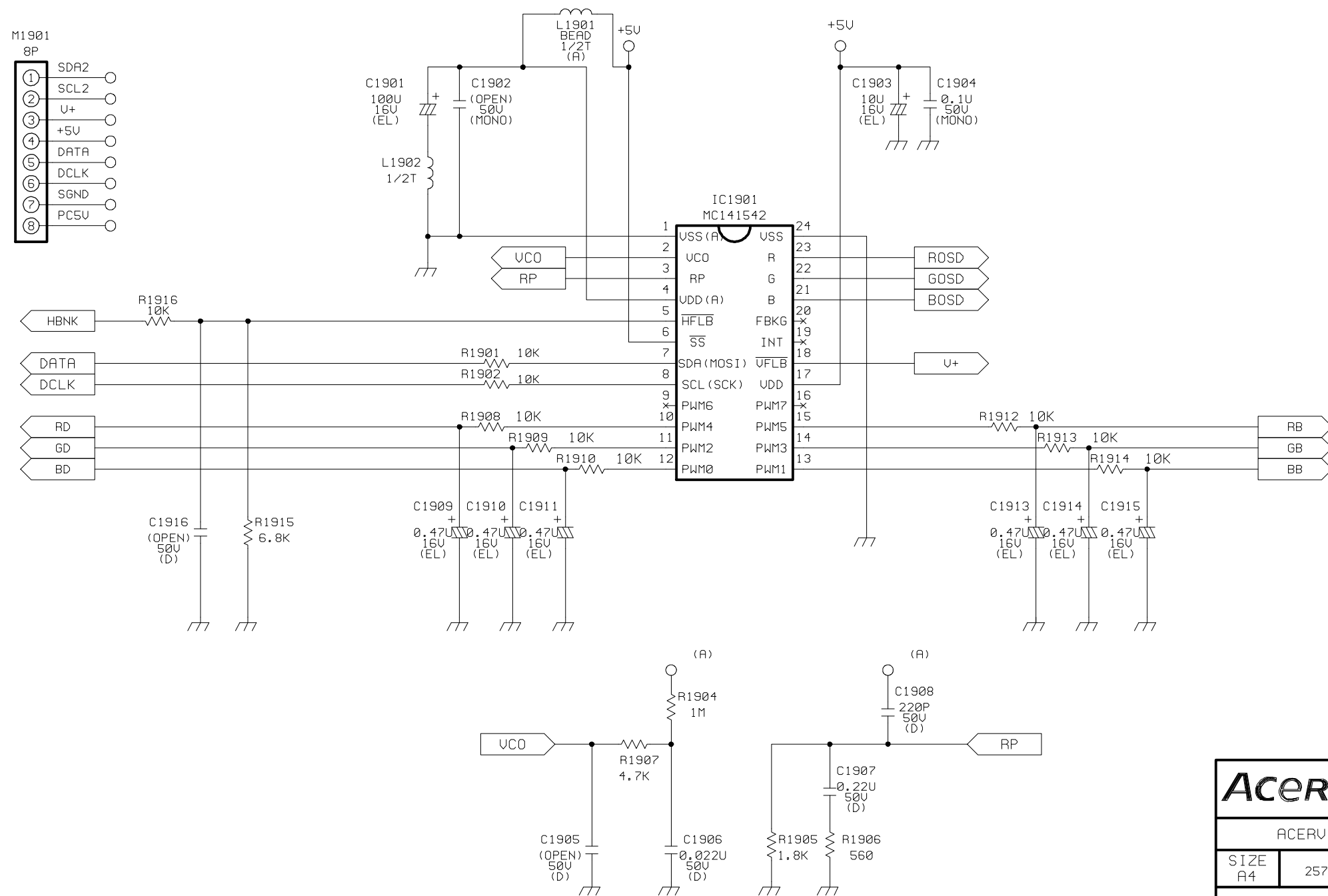
⚠ : The components identified by the mark of ⚠ in the schematic are important X-Radiation and Safety Parts. Should replacement is required, replace only with the same type and rating originally used.

⚡ : The components identified by the mark of ⚡ in the schematic are important safety parts. If replacement is required, refer to service manual to re-adjust and/or re-checked the B+ and High voltage to reach the specified value.

NOTES: 1. Resistor values are in ohm, K=1,000 ohm, M=1,000,000 ohm
 2. All resistors are 1/8,5% watt except where otherwise indicated
 3. ⚡ ⇄ ± Represents PCB common ground.

*: The component value marked with this sign means the HP/CURACAO use.

ACER 明基電腦股份有限公司 Acer Peripherals, Inc.				
ACERVIEW	7257C	(VIDEO.CKT)	SCHEMATIC	
SIZE	A3	257CV-B.SCH	FAB	Doc.No.
			B	304-C01
DATE :	06/09/1998	Sheet	1	OF 2
Project Code.	91.71202.001			
Prepared By	Reviewed By	Approved By		
ANNIE LAI	ARIES CHU	DAVEN HU		
06/09/98	6/9/98	6/9/98		

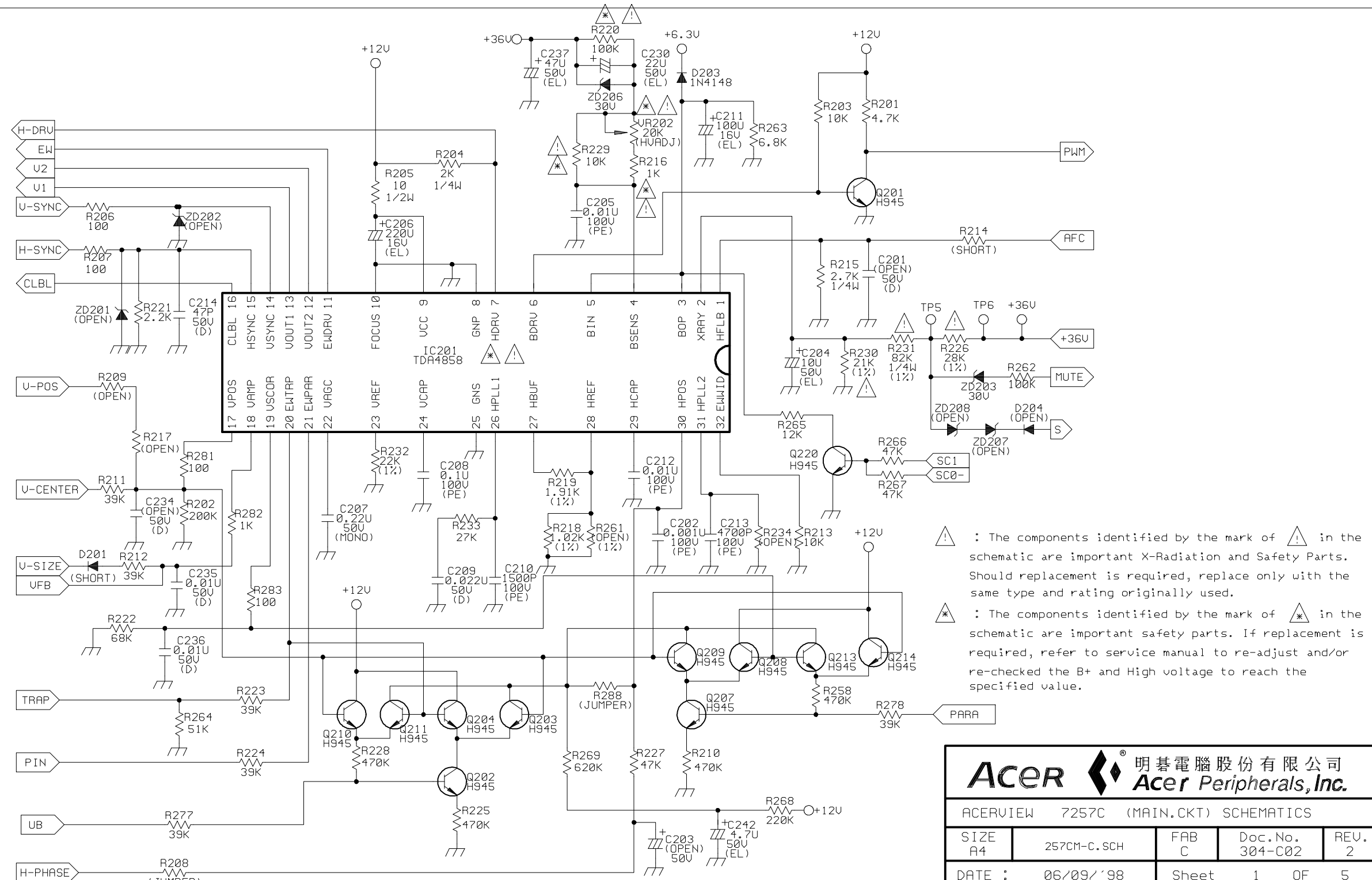


- NOTES:
1. Resistor values are in ohm, K=1,000 ohm, M=1,000,000 ohm
 2. All resistors are 1/8 watt, 5% except where otherwise indicated
 3. $\text{---} \nabla \text{---}$ Represents PCB common ground.

ACER 明基電腦股份有限公司
Acer Peripherals, Inc.

ACERVIEW 7257C OSD SCHEMATICS

SIZE A4	257CO-B.SCH	FAB B	Doc.No. 304-C01	REV. 2
DATE : 06/09/1998		Sheet 2 OF 2		
Project Code. 91.71202.001				
Prepared By ANNIE LAI 06/09/98		Reviewed By ARIES CHU 6/9/98		Approved By DAVEN WU 6/9/98

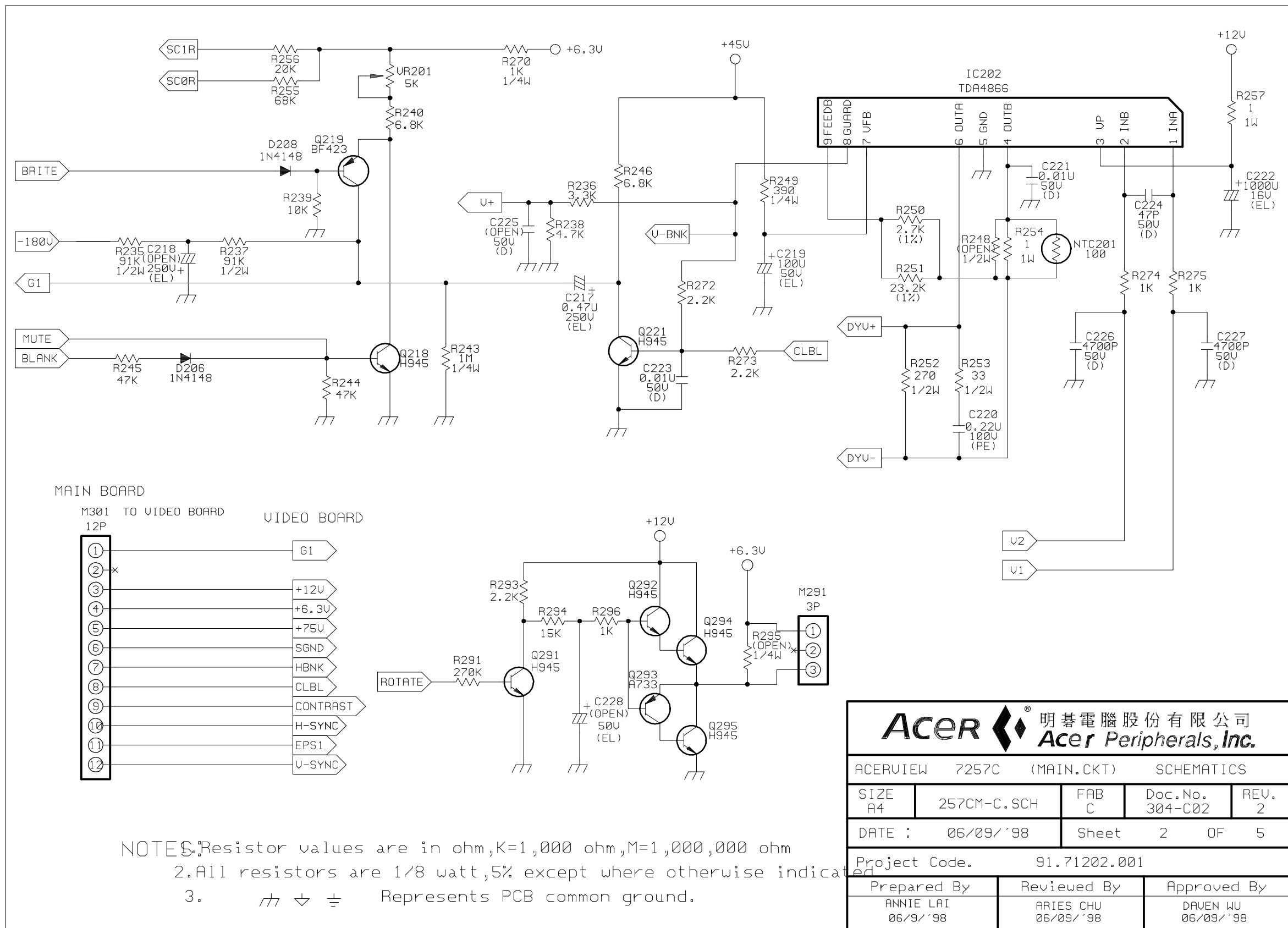


⚠ : The components identified by the mark of ⚠ in the schematic are important X-Radiation and Safety Parts. Should replacement is required, replace only with the same type and rating originally used.

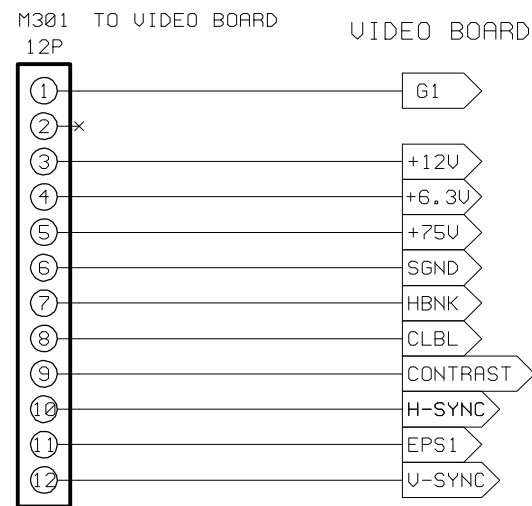
⚡ : The components identified by the mark of ⚡ in the schematic are important safety parts. If replacement is required, refer to service manual to re-adjust and/or re-checked the B+ and High voltage to reach the specified value.

NOTES
 1. Resistor values are in ohm, K=1,000 ohm, M=1,000,000 ohm
 2. All resistors are 1/8 watt, 5% except where otherwise indicated
 3. ⏏ ⏚ ⏏ Represents PCB common ground.

明基電腦股份有限公司 Acer Peripherals, Inc.				
ACERVIEW 7257C (MAIN.CKT) SCHEMATICS				
SIZE A4	257CM-C.SCH	FAB C	Doc.No. 304-C02	REV. 2
DATE : 06/09/'98		Sheet 1 OF 5		
Project Code.		91.71202.001		
Prepared By	Reviewed By	Approved By		
ANNIE LAI 06/09/'98	ARIES CHU 06/09/'98	DAVEN WU 06/09/'98		

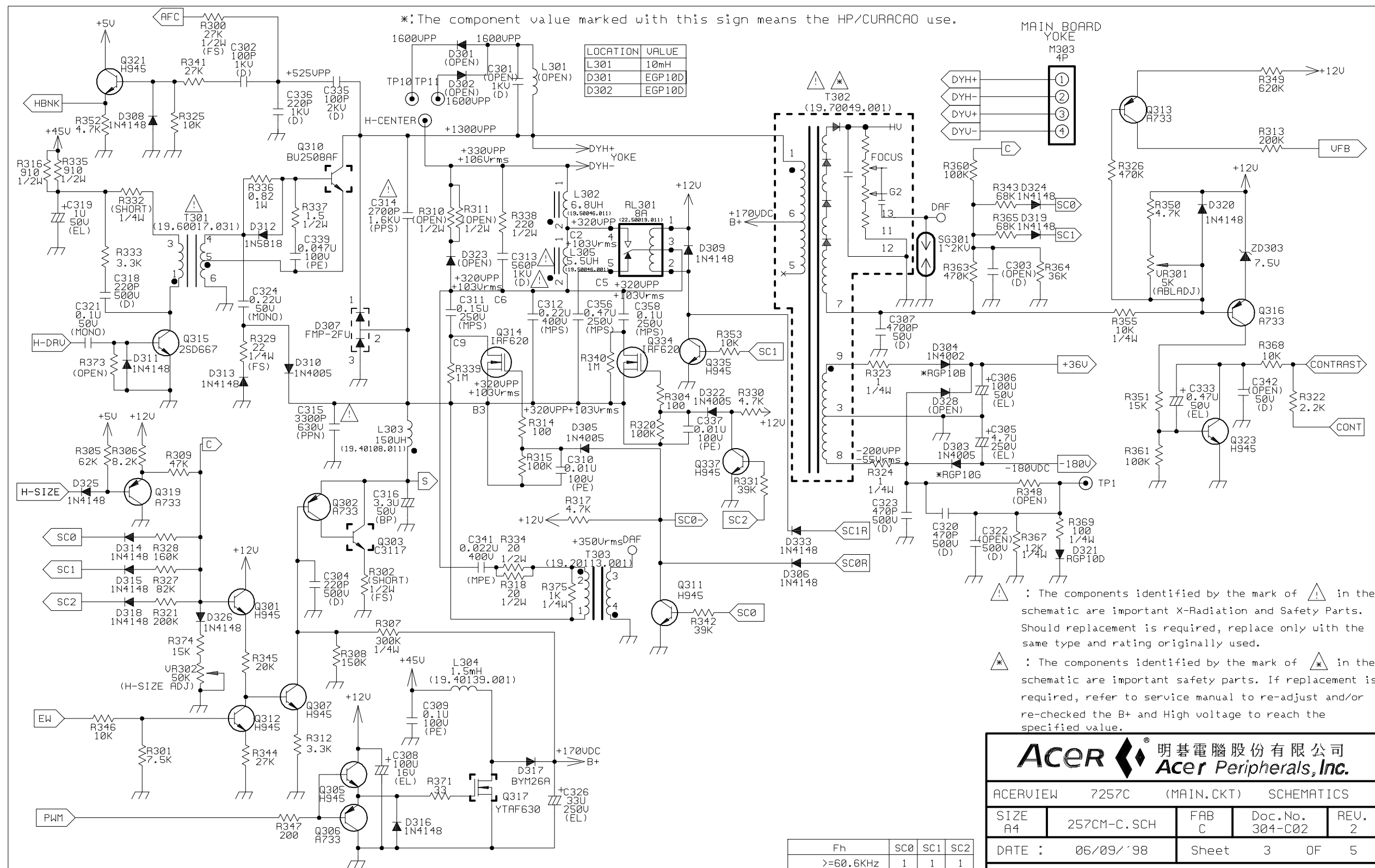


MAIN BOARD



NOTES: 1. Resistor values are in ohm, K=1,000 ohm, M=1,000,000 ohm
 2. All resistors are 1/8 watt, 5% except where otherwise indicated
 3. $\text{---} \text{---} \text{---}$ $\text{---} \text{---} \text{---}$ $\text{---} \text{---} \text{---}$ Represents PCB common ground.

ACER 明基電腦股份有限公司 Acer Peripherals, Inc.				
ACERVIEW 7257C		(MAIN.CKT)		SCHEMATICS
SIZE A4	257CM-C.SCH	FAB C	Doc.No. 304-C02	REV. 2
DATE : 06/09/'98		Sheet 2 OF 5		
Project Code.		91.71202.001		
Prepared By ANNIE LAI 06/9/'98		Reviewed By ARIES CHU 06/09/'98		Approved By DAVEN WU 06/09/'98



*:The component value marked with this sign means the HP/CURACAO use.

⚠ : The components identified by the mark of ⚠ in the schematic are important X-Radiation and Safety Parts. Should replacement is required, replace only with the same type and rating originally used.

⚡ : The components identified by the mark of ⚡ in the schematic are important safety parts. If replacement is required, refer to service manual to re-adjust and/or re-checked the B+ and High voltage to reach the specified value.

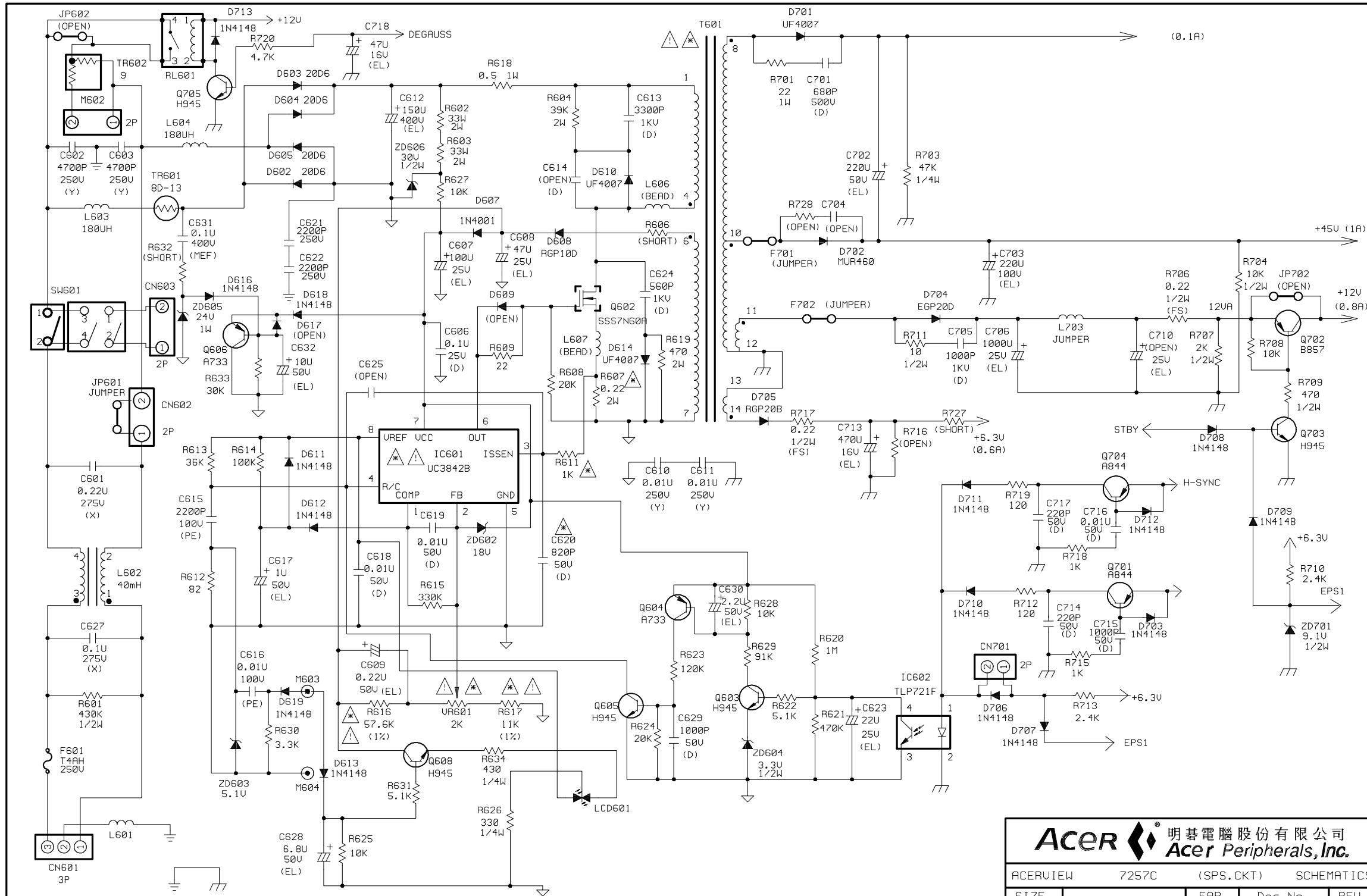
NOTES: 1. Resistor values are in ohm, K=1,000 ohm, M=1,000,000 ohm
 2. All resistors are 1/8 watt, 5% except where otherwise indicated
 3. ⏏ ⏚ ± Represents PCB common ground.

ACER 明基電腦股份有限公司
Acer Peripherals, Inc.

ACERVIEW 7257C (MAIN.CKT) SCHEMATICS

SIZE A4	257CM-C.SCH	FAB C	Doc.No. 304-C02	REV. 2
DATE : 06/09/'98	Sheet 3	OF 5		
Project Code. 91.71202.001		Prepared By ANNIE LAI 06/09/'98	Reviewed By ARIES CHU 06/09/'98	Approved By DAVEN WU 06/09/'98

Fh	SC0	SC1	SC2
>=60.6KHz	1	1	1
45.5~60.6KHz	0	1	1
40.0~45.5KHz	0	1	0
33.0~40.0KHz	1	0	0
<33.0KHz	0	0	0



⚠ : The components identified by the mark of ⚠ in the schematic are important safety parts. If replacement is required, refer to service manual to re-adjust and/or re-checked the B+ and High Voltage.

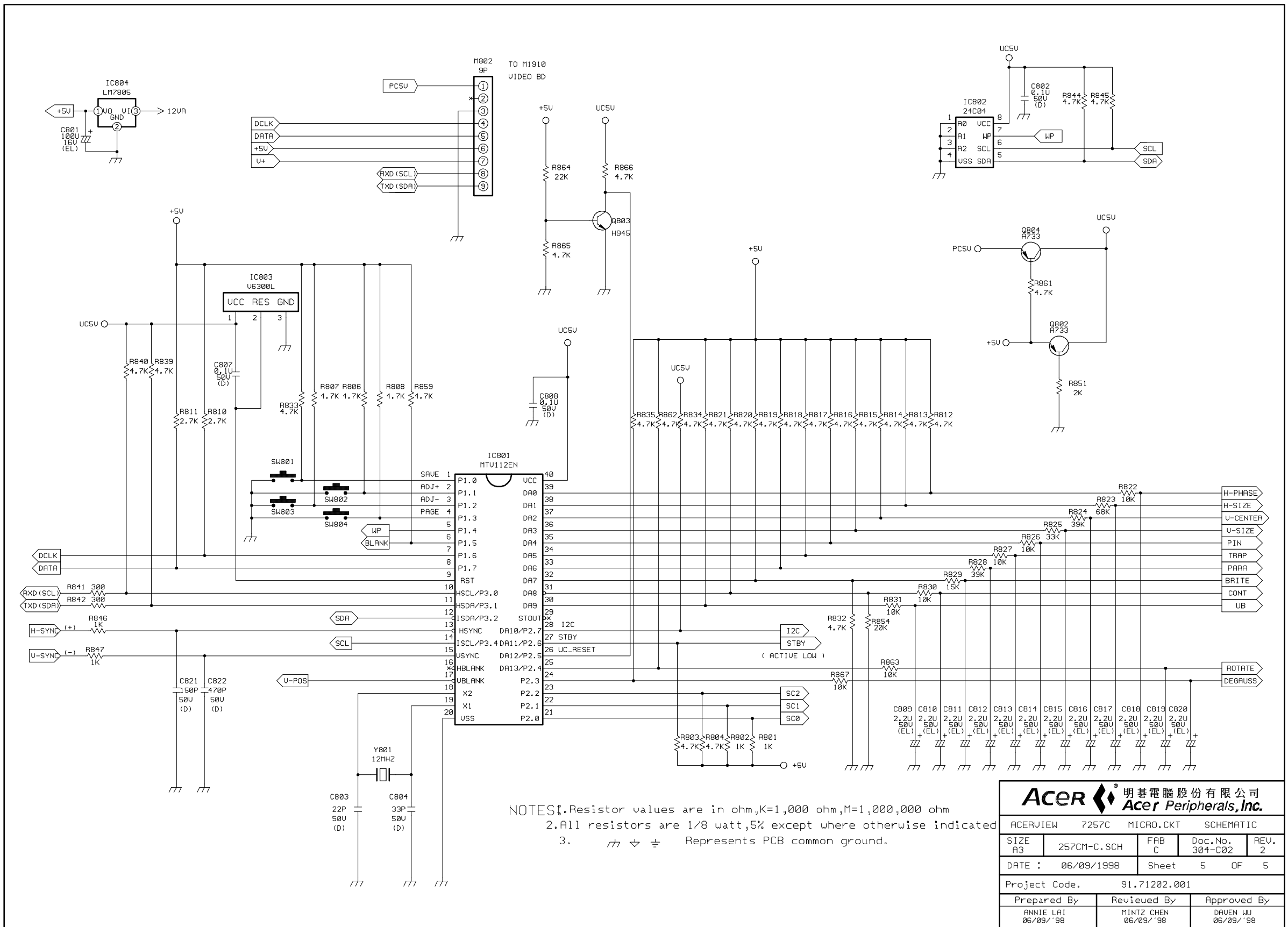
⚠ : The components identified by the mark of ⚠ in the schematic are important X-Radiation and Safety Parts. Should replacement is required, replace only with the same type and rating originally used.

⚠ : The components identified by the mark of ⚠ in the schematic are important safety parts. If replacement is required, refer to service manual to re-adjust and/or re-checked the B+ and High Voltage.

⚠ : The components identified by the mark of ⚠ in the schematic are important X-Radiation and Safety Parts. Should replacement is required, replace only with the same type and rating originally used.

T601, UR601, R617, R616, R611, C620, T302(FBT), R220, R216, C205

Acer 明基電腦股份有限公司 Acer Peripherals, Inc.			
ACERVIEW	7257C	(SPS.CKT)	SCHEMATICS
SIZE A3	257CM-C.SCH	FAB C	Doc.No. 304-C02
REV. 2			
DATE :	06/09/'98	Sheet	4 OF 5
Project Code.		91.71202.001	
Prepared By	Reviewed By	Approved By	
ANNIE LAI 06/09/'98	ROBERT JUANG 06/09/'98	DAVEN WU 06/09/'98	



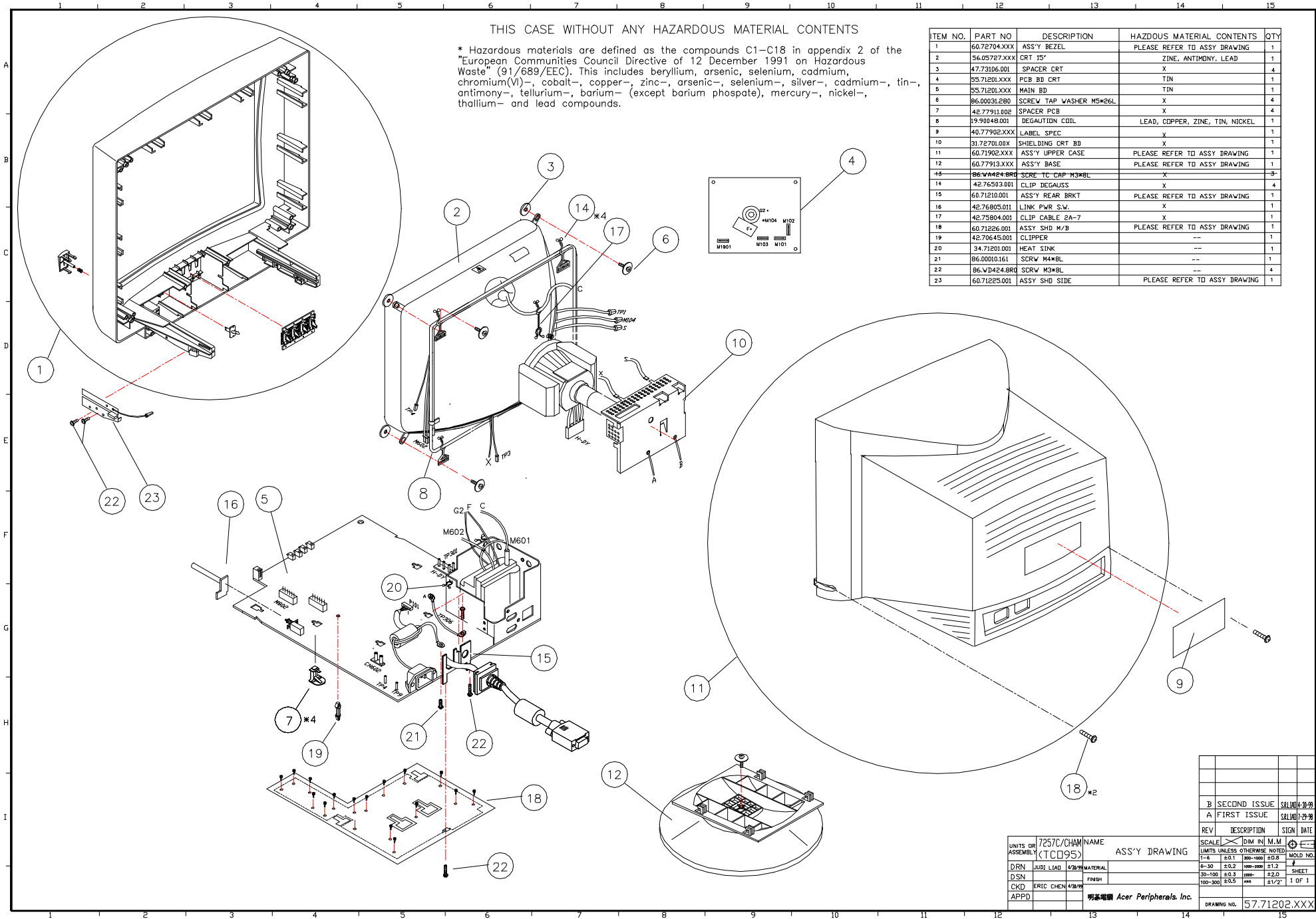
NOTES: 1. Resistor values are in ohm, K=1,000 ohm, M=1,000,000 ohm
 2. All resistors are 1/8 watt, 5% except where otherwise indicated
 3. ∇ ∇ ∇ Represents PCB common ground.

Acer 明基電腦股份有限公司 Acer Peripherals, Inc.				
ACERVIEW	7257C	MICRO.CKT	SCHEMATIC	
SIZE A3	257CM-C.SCH	FAB C	Doc.No. 304-C02	REV. 2
DATE : 06/09/1998	Sheet 5		OF 5	
Project Code.		91.71202.001		
Prepared By	Reviewed By	Approved By		
ANNIE LAI 06/09/98	MINTZ CHEN 06/09/98	DAVEN LU 06/09/98		

THIS CASE WITHOUT ANY HAZARDOUS MATERIAL CONTENTS

* Hazardous materials are defined as the compounds C1-C18 in appendix 2 of the "European Communities Council Directive of 12 December 1991 on Hazardous Waste" (91/689/EEC). This includes beryllium, arsenic, selenium, cadmium, chromium(VI)-, cobalt-, copper-, zinc-, arsenic-, selenium-, silver-, cadmium-, tin-, antimony-, tellurium-, barium-, zinc-, arsenic-, selenium-, silver-, cadmium-, tin-, thallium- and lead compounds.

ITEM NO.	PART NO	DESCRIPTION	HAZDOUS MATERIAL CONTENTS	QTY
1	60.72704.XXX	ASSY BEZEL	PLEASE REFER TO ASSY DRAWING	1
2	56.05727.XXX	CRT 15"	ZINC, ANTIMONY, LEAD	1
3	47.73106.001	SPACER CRT	X	4
4	55.71201.XXX	PCB BD CRT	TIN	1
5	55.71201.XXX	MAIN BD	TIN	1
6	86.00031.280	SCREW TAP WASHER M5*26L	X	4
7	42.77911.002	SPACER PCB	X	4
8	19.90048.001	DEGAUTION COIL	LEAD, COPPER, ZINC, TIN, NICKEL	1
9	40.77902.XXX	LABEL SPEC	X	1
10	31.72701.00X	SHIELDING CRT BD	X	1
11	60.71902.XXX	ASSY UPPER CASE	PLEASE REFER TO ASSY DRAWING	1
12	60.77913.XXX	ASSY BASE	PLEASE REFER TO ASSY DRAWING	1
13	86.WA424.BRD	SCRE TC CAP M3*8L	X	3
14	42.76503.001	CLIP DEGAUSS	X	4
15	60.71210.001	ASSY REAR BRKT	PLEASE REFER TO ASSY DRAWING	1
16	42.76805.011	LINK PWR S.W.	X	1
17	42.79804.001	CLIP CABLE 2A-7	X	1
18	60.71226.001	ASSY SHD M/B	PLEASE REFER TO ASSY DRAWING	1
19	42.70645.001	CLIPPER	--	1
20	34.71201.001	HEAT SINK	--	1
21	86.00010.161	SCRW M4*8L	--	1
22	86.WD424.BRD	SCRW M3*8L	--	4
23	60.71225.001	ASSY SHD SIDE	PLEASE REFER TO ASSY DRAWING	1



REV	DESCRIPTION	SIGN	DATE
B	SECOND ISSUE	SJL	10/29/95
A	FIRST ISSUE	SJL	7/29/95

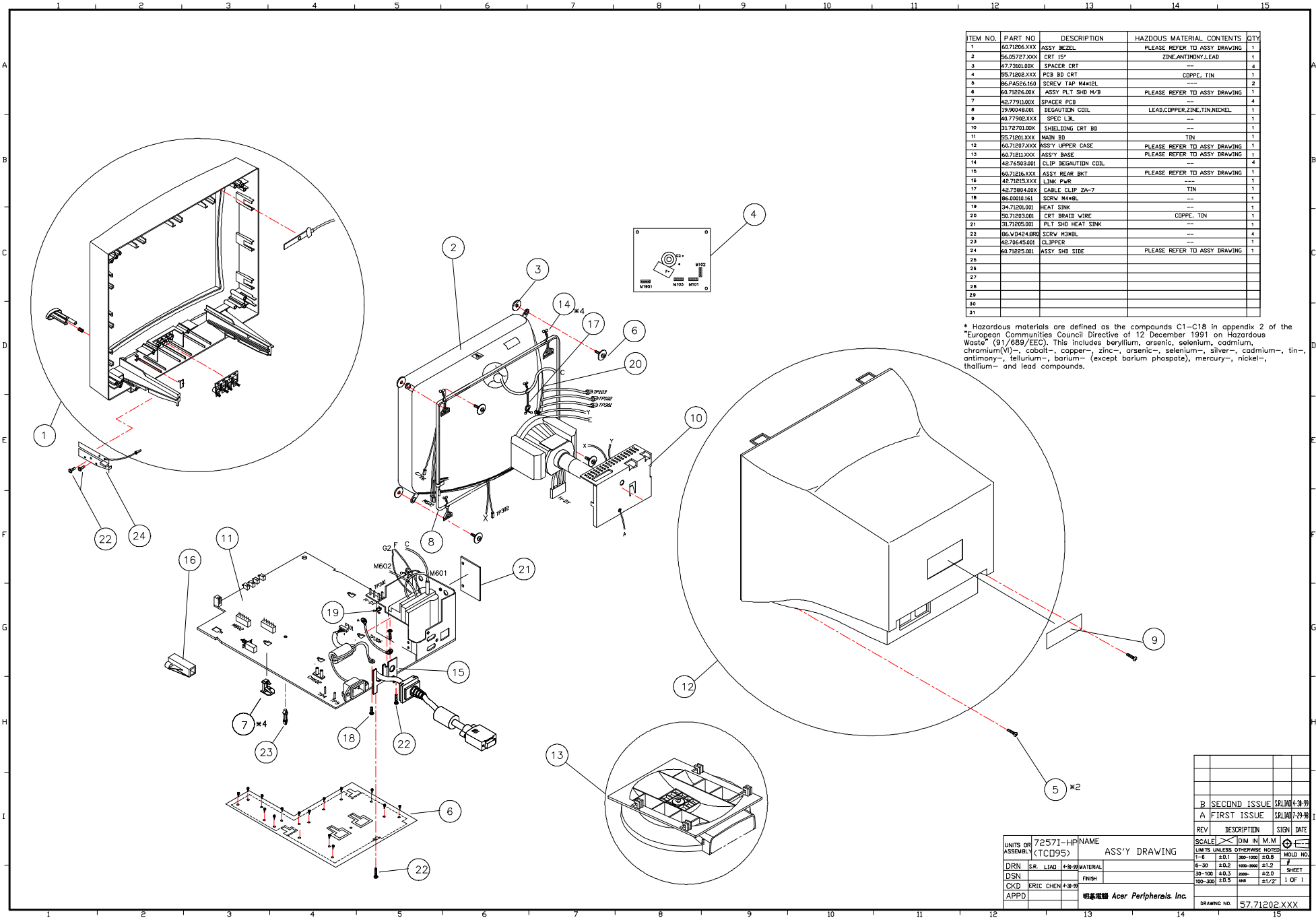
UNITS OR ASSEMBLY	7257C/CHAM (TCD95)	NAME	ASSY DRAWING
DRN	JUD LIND	MATERIAL	
D/SN		FINISH	
CKD	ERIC CHEN	APPD	
APPD			

SCALE	DIM IN	M.M	HOLD NO.
1-4	#0.1	200-1000	#0.8
5-20	#0.2	1000-10000	#1.2
30-100	#0.3	10000	#2.0
100-3000	#0.5	ANY	#1/2"

明基電腦 Acer Peripherals, Inc.
DRAWING NO. 57.71202.XXX

ITEM NO.	PART NO.	DESCRIPTION	HAZDOUS MATERIAL CONTENTS	QTY
1	60.71206.XXX	ASSY BEZEL	PLEASE REFER TO ASSY DRAWING	1
2	56.95787.XXX	CRT IS*	ZINE,ANTIMONY,LEAD	1
3	47.73101.00X	SPACER CRT	---	4
4	55.71202.XXX	PCB BD CRT	COPEE, TIN	1
5	86.PA556.160	SCREW TAP M4*1BL	---	2
6	60.71206.001	ASSY FLT SHD M/B	PLEASE REFER TO ASSY DRAWING	1
7	42.77911.00X	SPACER PCB	---	4
8	19.90048.001	DEGAUCTION CDIL	LEAD,COPPER,ZINE,TIN,NICKEL	1
9	40.77902.XXX	SPEC L.RL	---	1
10	31.72701.00X	SHIELDING CRT BD	---	1
11	55.71201.XXX	MAIN BD	TIN	1
12	60.71207.XXX	ASSY UPPER CASE	PLEASE REFER TO ASSY DRAWING	1
13	40.71211.00X	ASSY BASE	PLEASE REFER TO ASSY DRAWING	1
14	48.74503.001	CLIP DEGAUCTION COIL	---	4
15	60.71216.XXX	ASSY REAR BKT	PLEASE REFER TO ASSY DRAWING	1
16	42.71215.XXX	LINK PWR	---	1
17	42.73894.00X	CABLE CLIP ZA-7	TIN	1
18	86.50010.161	SCREW M4*1BL	---	1
19	34.71201.001	HEAT SINK	---	1
20	50.71203.001	CRT BRAID WJRE	COPEE, TIN	1
21	31.71205.001	PLT SHD HEAT SINK	---	1
22	86.VD424.8R0	SCREW W3*1BL	---	4
23	42.70845.001	CLIPPER	---	1
24	60.71205.001	ASSY SHD SIDE	PLEASE REFER TO ASSY DRAWING	1
25				
26				
27				
28				
29				
30				
31				

* Hazardous materials are defined as the compounds C1-C18 in appendix 2 of the "European Communities Council Directive of 12 December 1991 on Hazardous Waste" (91/689/EEC). This includes beryllium-, arsenic-, selenium-, cadmium-, chromium(VI)-, cobalt-, copper-, zinc-, arsenic-, selenium-, silver-, cadmium-, tin-, antimony-, tellurium-, barium- (except barium phosphate), mercury-, nickel-, thallium- and lead compounds.



REV	DESCRIPTION	SIGN	DATE
B	SECOND ISSUE	SRL	11/29/95
A	FIRST ISSUE	SRL	11/29/95

UNITS OR ASSY	72571-HF (TC095)	NAME	ASS'Y DRAWING	SCALE	1:1	DM	IN	M.M	
DRN	S.R.	L.I.A.D.	MATERIAL	6-30	±0.2	100-3000	±1.2		SHEET
DSN			FINISH	30-100	±0.3	2000	±2.0		1 OF 1
CKD	ERIC CHEN			100-300	±0.5	AW	±1.2'		
APPD			明基電腦 Acer Peripherals, Inc.						

DRAWING NO. 57.71202.XXX