

NOTES: 1. Resistor values are in ohm, K=1,000 Ohm, M=1,000,000 Ohm  
 2. All resistors are 1/8 watt, 5% except where otherwise indicated  
 3.  $\frac{1}{2}$  Represents PCB connection ground

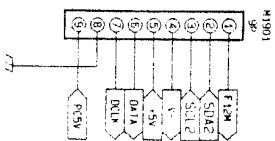
**ACER** 宏碁電腦股份有限公司  
**Acer Peripherals, Inc.**

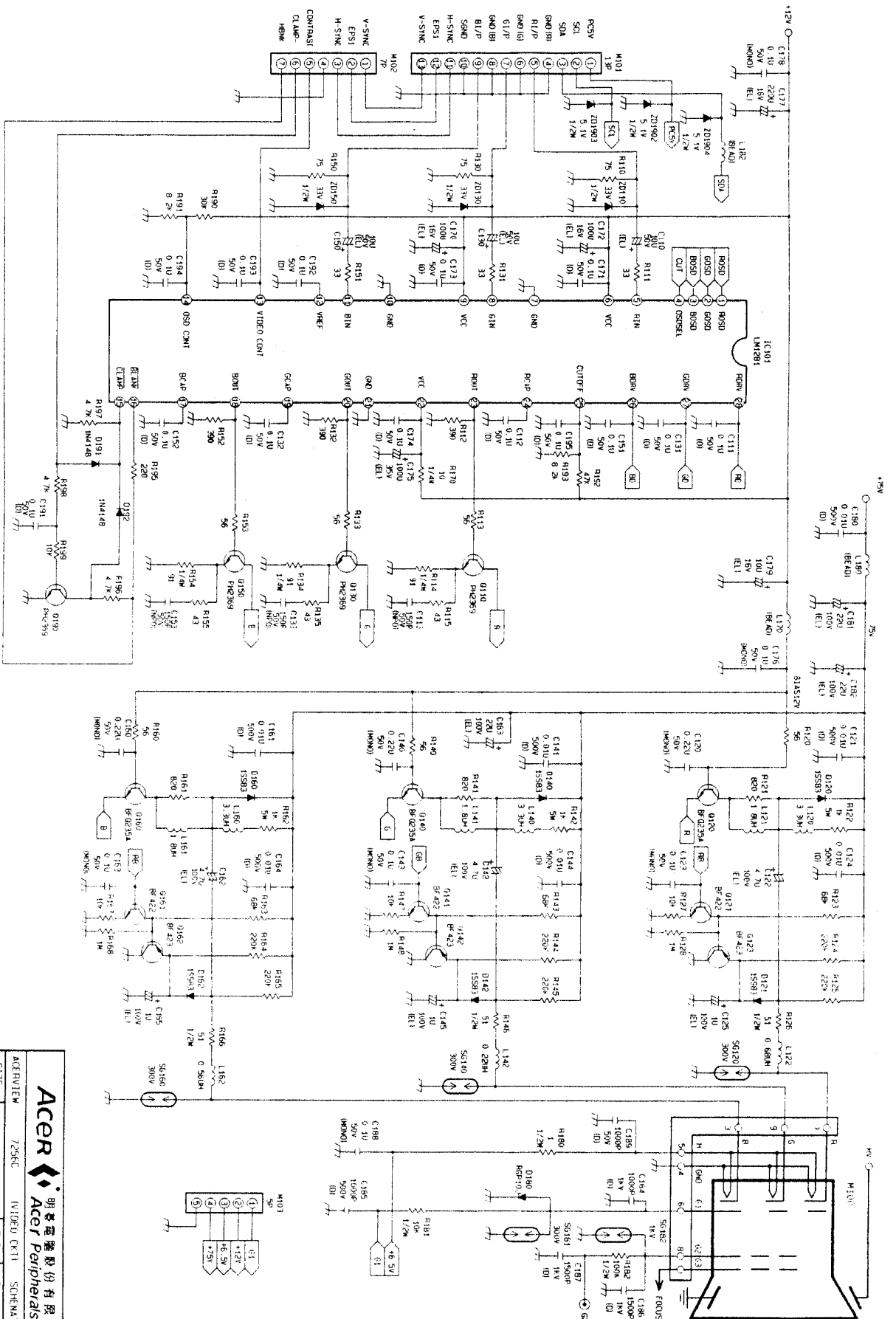
ACEWJEW Z98L 0056 CH11 SOFTWARE

SIZE 2561V-A1-57H FAB DOC NO REV  
 DATE 4/1E/1997 AT 304-002 0

Project Code: 91-72702-001 Sheet: 2 of 2

Designed by: Reviewed By: Approved By:

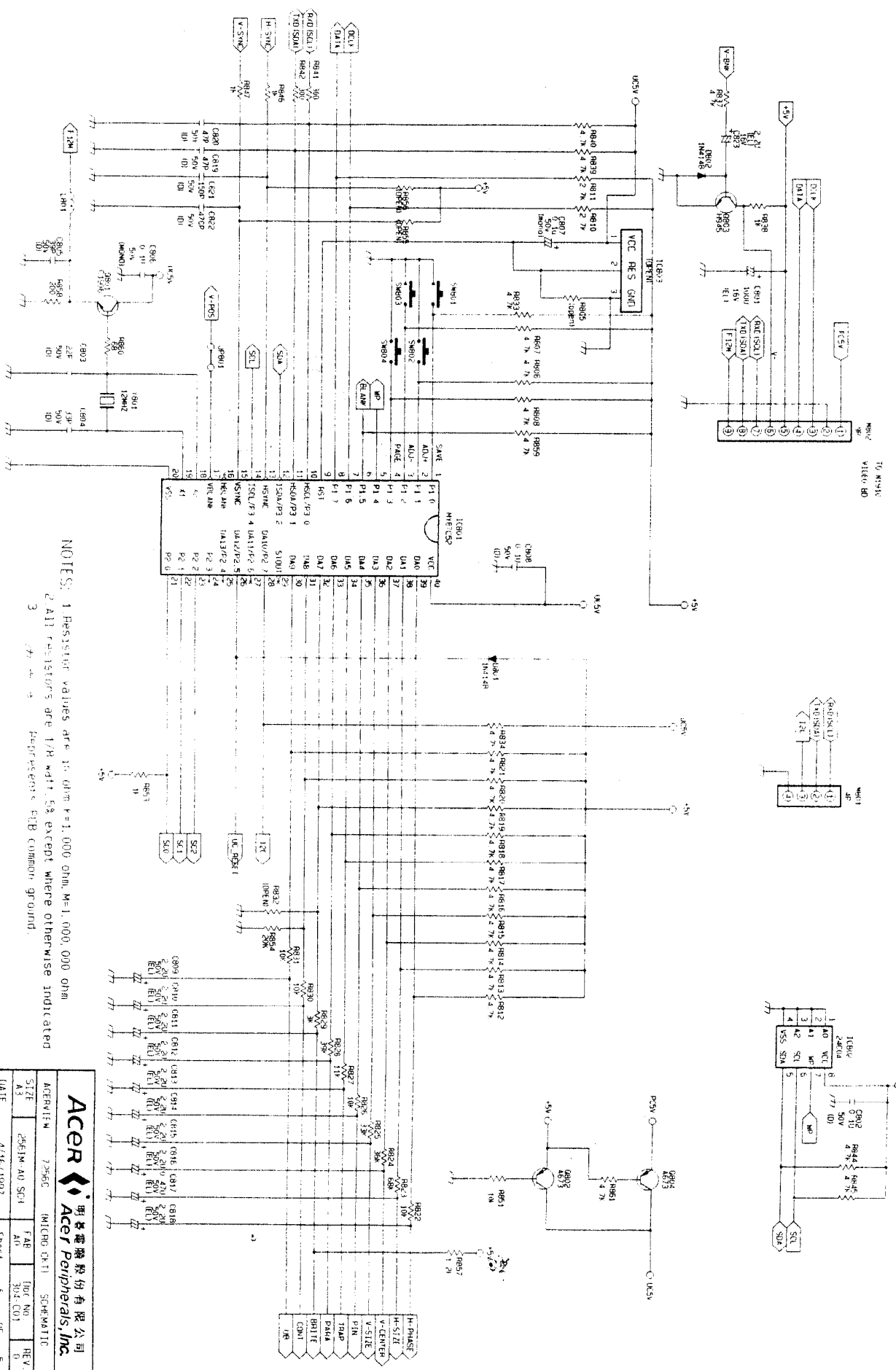




NOTES:

- 1 Resistor values are in ohm, k=1,000 ohm, M=1,000,000 ohm
- 2 All resistors are 1/8, 5% watt except where otherwise indicated
- 3  $\pm$  Represents PCB common ground.

		<b>明基電腦股份有限公司</b> <b>Acer Peripherals, Inc.</b>	
		7256C	VIDEO CRT1
ACBVIEW	SCHENMATIC	FAR	DOC NO.
SIZE	A3	A1	204-002
DATE	4/16/1997	Sheet	1 OF 2
Project Code	9172702-001	Prepared By	Reviewed By
Approved By			



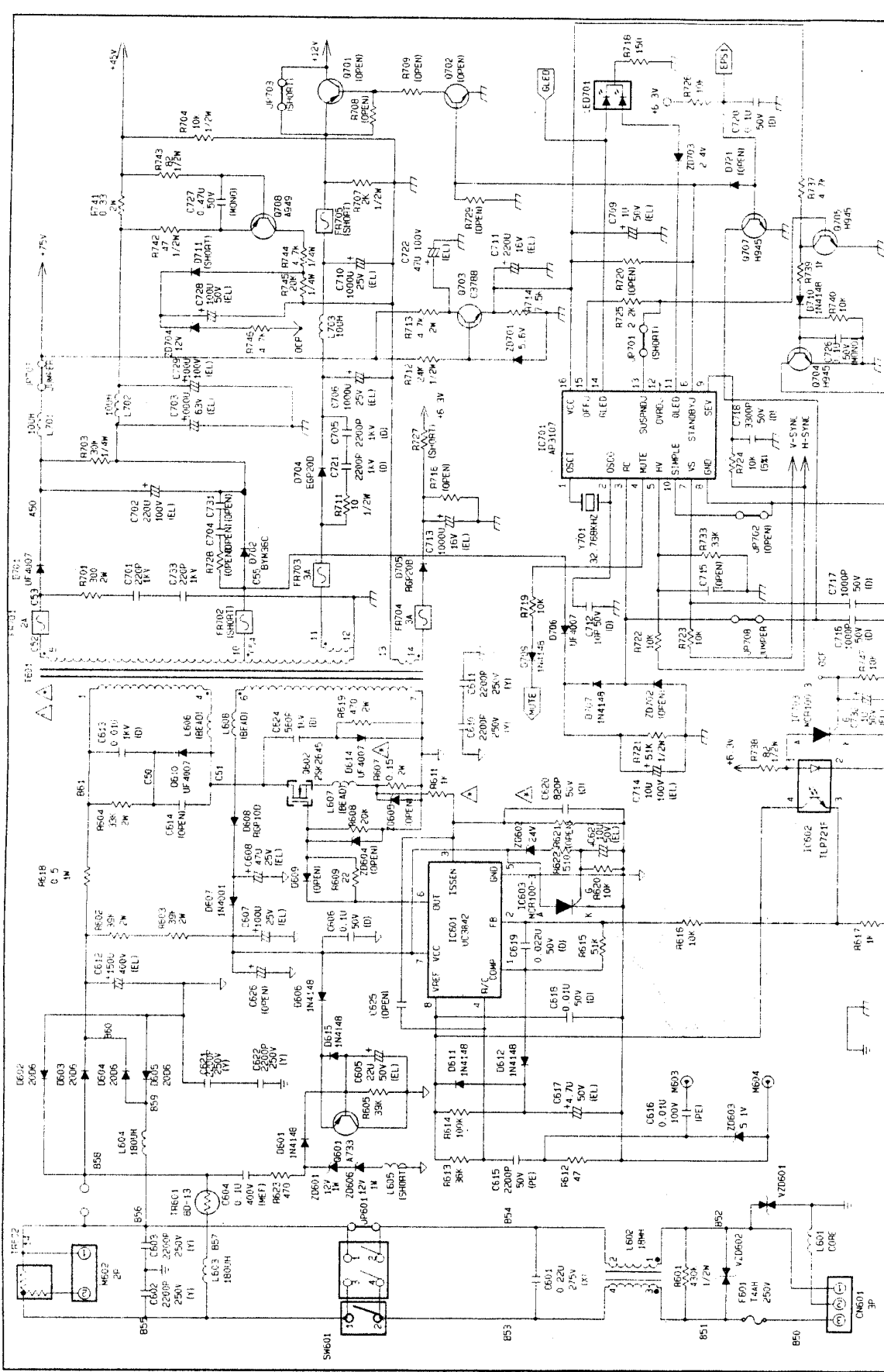
NOTES: 1 Resistor values are in Ohm  $\times=1,000$  Ohm,  $M=1,000,000$  Ohm  
 2 All resistors are 1/8 watt, 5% except where otherwise indicated  
 3  $\nabla$  means common ground.

ACER 明基電腦股份有限公司  
 ACER Peripherals, Inc.

ACBVIEWM	7296C	(M)ICB0 (X-T)	SCHEMATIC
SIZE	2561M-A0 SC4	FAB. AO	DRG. NO. 304-C01
DATE	4/16/1997	Sheet	5 OF 5

Project Code	W1 72702 001	Approved By	
Prepared By		Reviewed By	
		Approved By	

- H-PLATE
- M-SIZE
- V-CENTER
- V-SIZE
- FIN
- TRAP
- BH1/E
- CB1
- IR

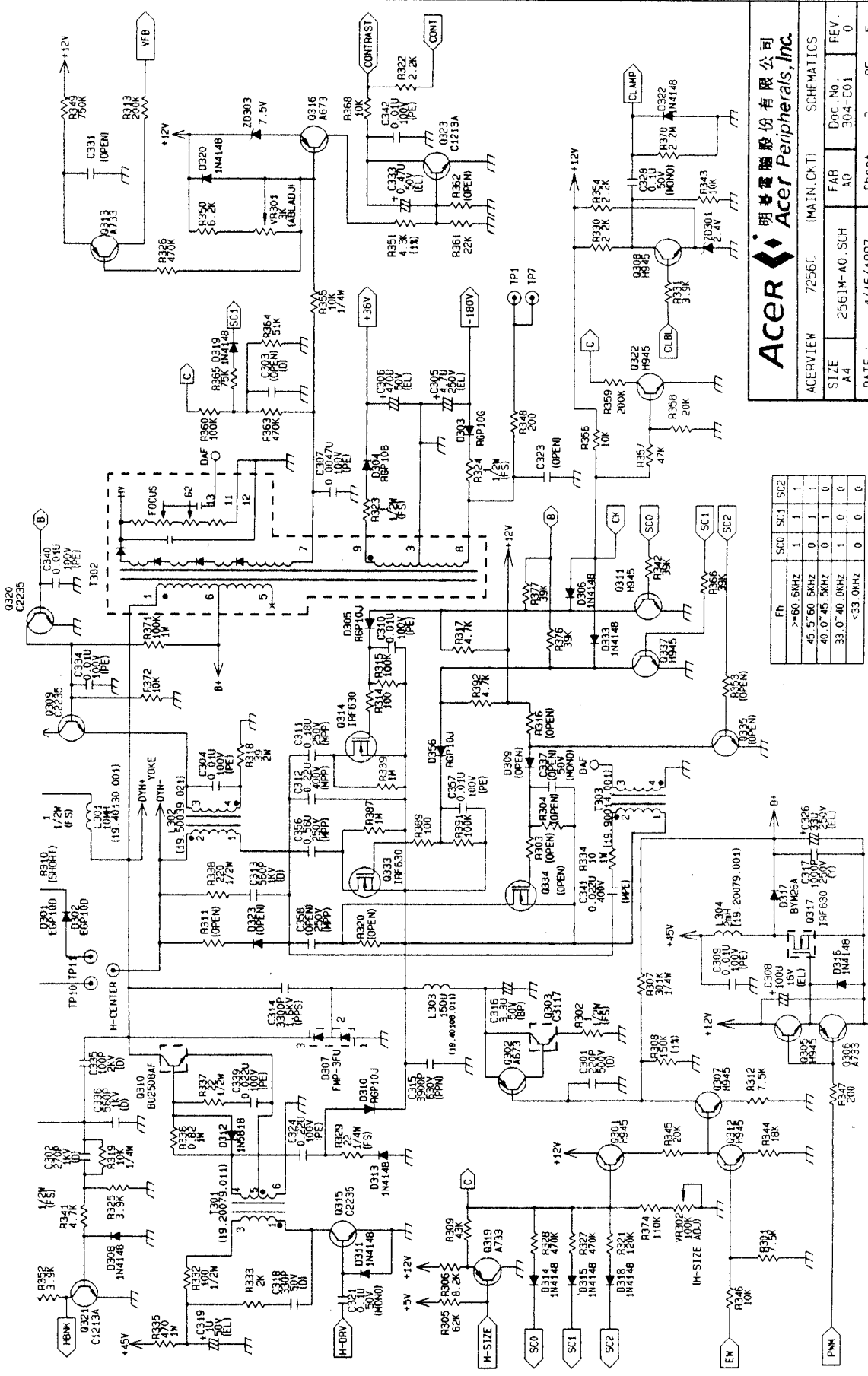


**ACER** 宏碁電腦股份有限公司

ACERVIEW 7256C ISDS, CK11 SCHEMATICS

SIZEF	2561M-40-SCH	FAB	Inc No	REV
DATE	4/16/1997	AU	304-(0)	U
Project Code		Sheet	4	of
Prepared By		Reviewed By		Approved By

The components identified by the mark  $\Delta$  in the schematic are important safety parts. If replacement is required, refer to service manual to re-adjust and/or re-programmed the B+ and High Voltage to reach the specified value.  
 1. Resistor values are in ohm, K=1,000 ohm, M=1,000,000 ohm.  
 2. All resistors are 5% 1/8 watt except where otherwise indicated.  
 3.  $\text{---}$  Represents PCB common ground.

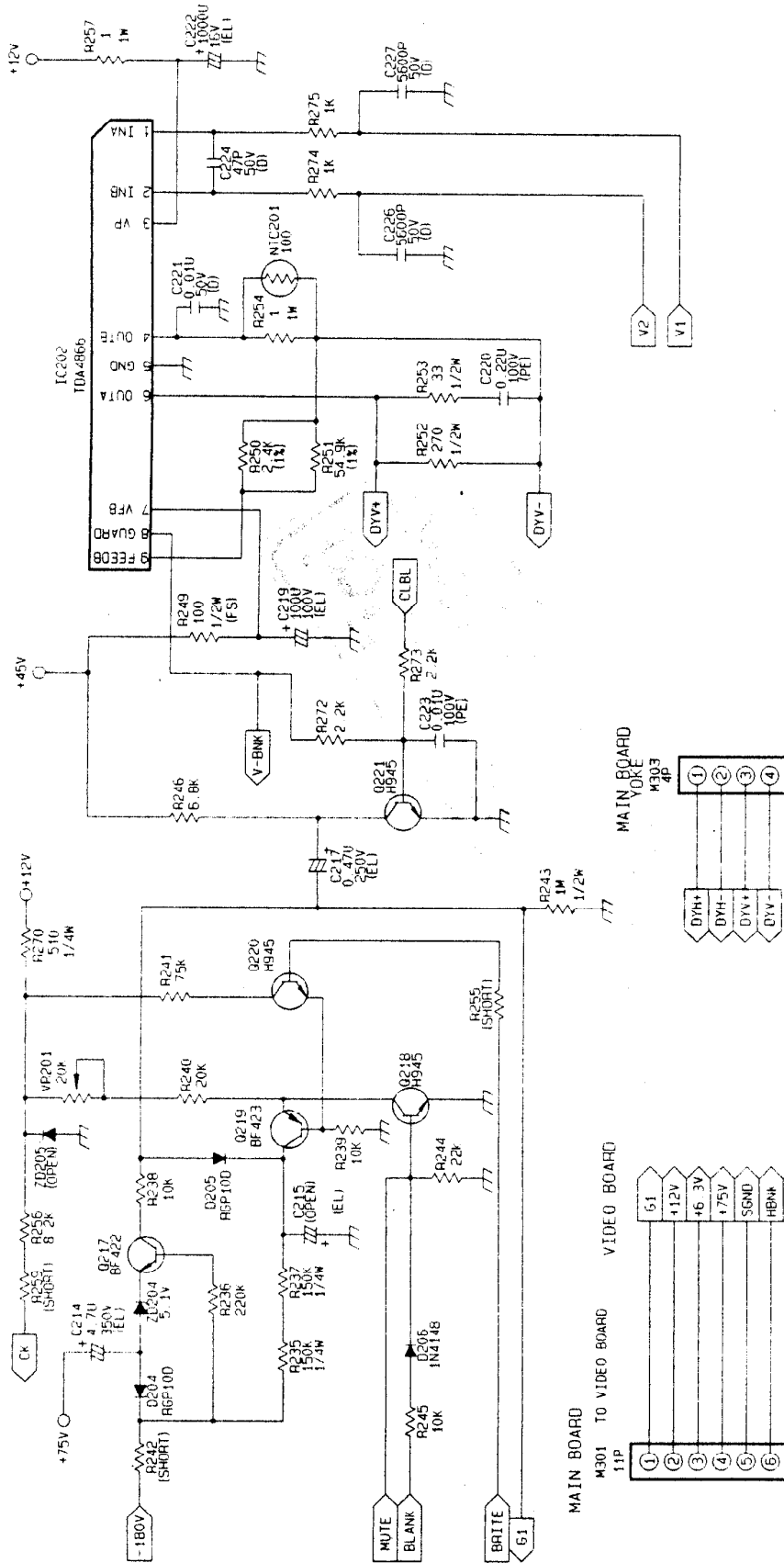


Fh	SCC	SC1	SC2
>=60.6KHZ	1	1	1
45.5-60.6KHZ	0	1	1
40.0-45.5KHZ	0	1	0
33.0-40.0KHZ	1	0	0
<33.0KHZ	0	0	0

NOTES: 1 Resistor values are in ohm, K=1,000 ohm, M=1,000,000 ohm  
 2. All resistors are 1/8 watt, 5% except where otherwise indicated  
 3.  $\leftrightarrow$  Represents PCB common ground.

**ACER** 明基電腦股份有限公司  
**Acer Peripherals, Inc.**

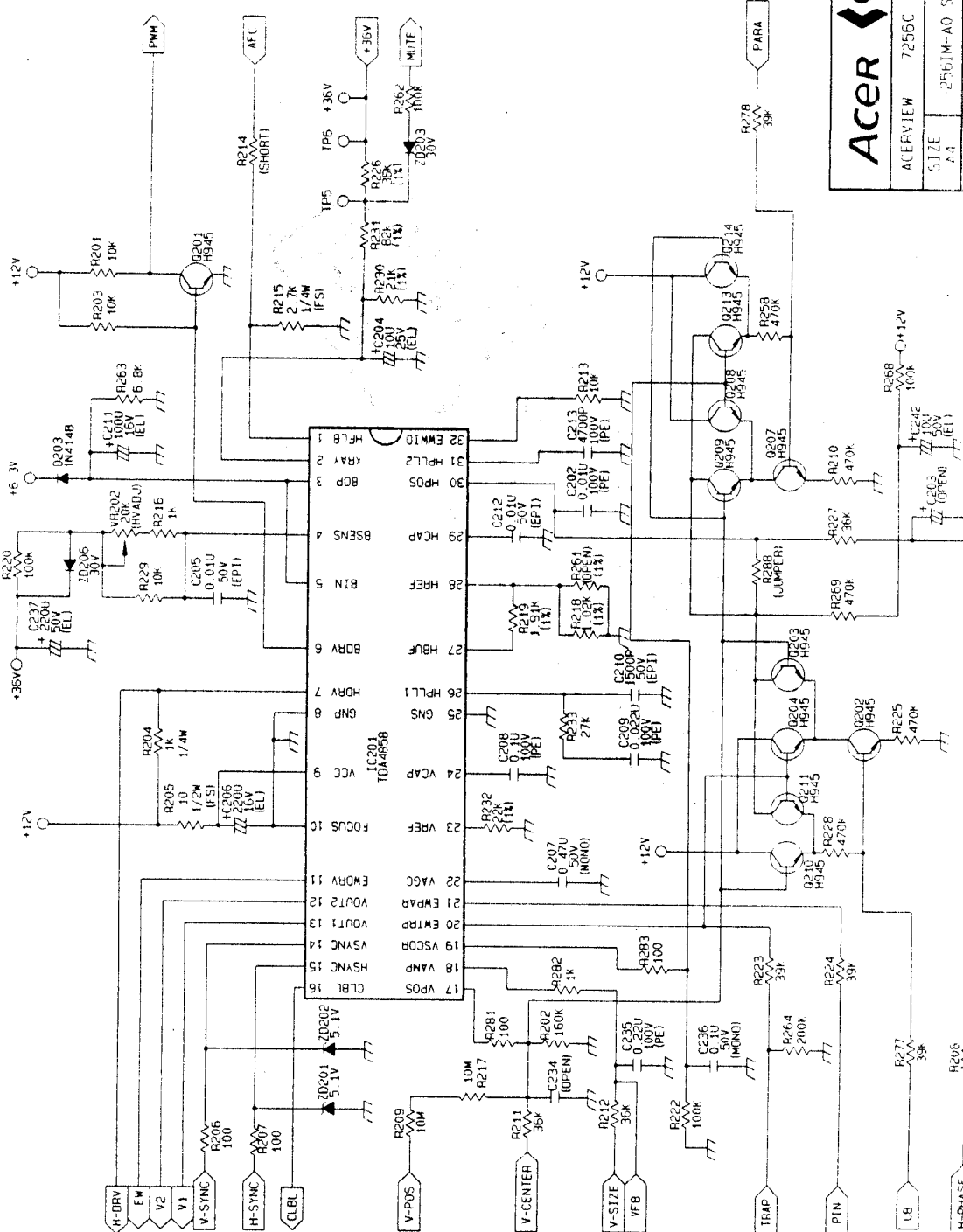
ACERVIEW 7256C (MAIN.CKT) SCHEMATICS  
 SIZE A4 2561M-A0\_SCH FAB No. 304-C01 REV. 0  
 DATE: 4/16/1997 Sheet 3 OF 5  
 Project Code: 91.72702.001  
 Prepared By: Reviewed By: Approved By:



ACERVIEW	7256C	(MAIN CRT)	SCHEMATICS
SIZE	256IM-A0 SCH	FAB	DOC. NO
A4	A0	A0	304-C01
DATE	4/16/1997	Sheet	2 OF 5
Project Code		91.72702.001	
Prepared By	Reviewed By	Approved By	

NOTES: 1. Resistor values are in ohm, K=1,000 ohm, M=1,000,000 ohm  
 2. All resistors are 1/8 watt, 5% except where otherwise indicated.  
 3.  $\oplus$  Represents PCB common ground.

ACERVIEW	7256C	(MAIN CKT)	SCHEMATICS
SIZE	2561M-A0 SCH	FAB	Doc. No
DATE	9/16/1997	REV.	304-001
Project Code	91-2742-001	Sheet	1 of 5
Prepared By		Reviewed By	Approved By



NOTES: 1. Resistor values are in ohm, K=1,000 ohm, M=1,000,000 ohm  
 2. All resistors are 1/8 watt, 5% except where otherwise indicated  
 3.  $\nabla$   $\nabla$   $\nabla$  Represents PCB common ground.