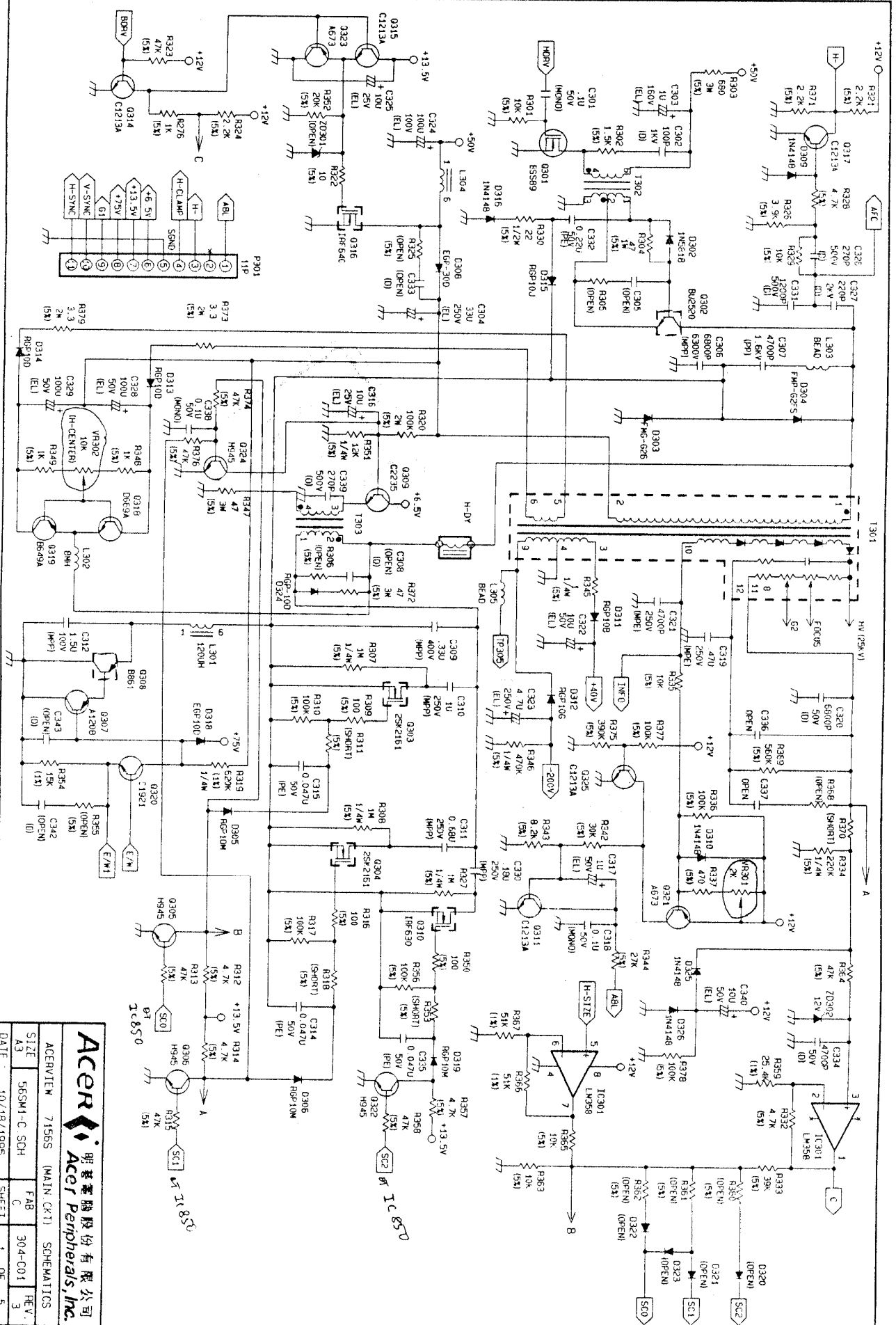
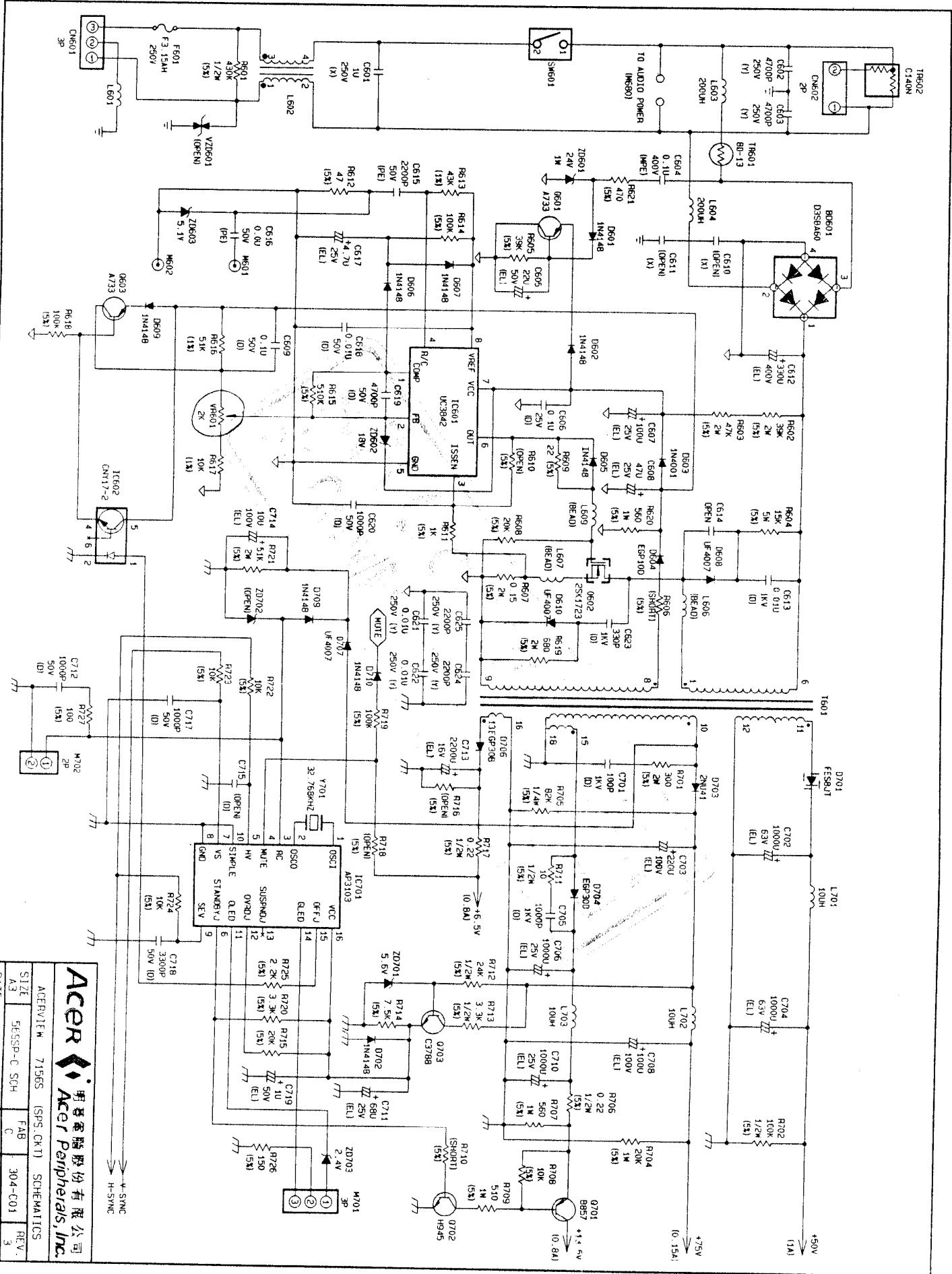


Acer 明基電腦股份有限公司
Acer Peripherals, Inc.
 REVIEW 71565 (MAIN BO CK1) SCHEMATICS
 SITE 565NK2-C SCH FAB 304-C01 REV 3
 DATE 10/17/1995 SHEET 2 OF 5



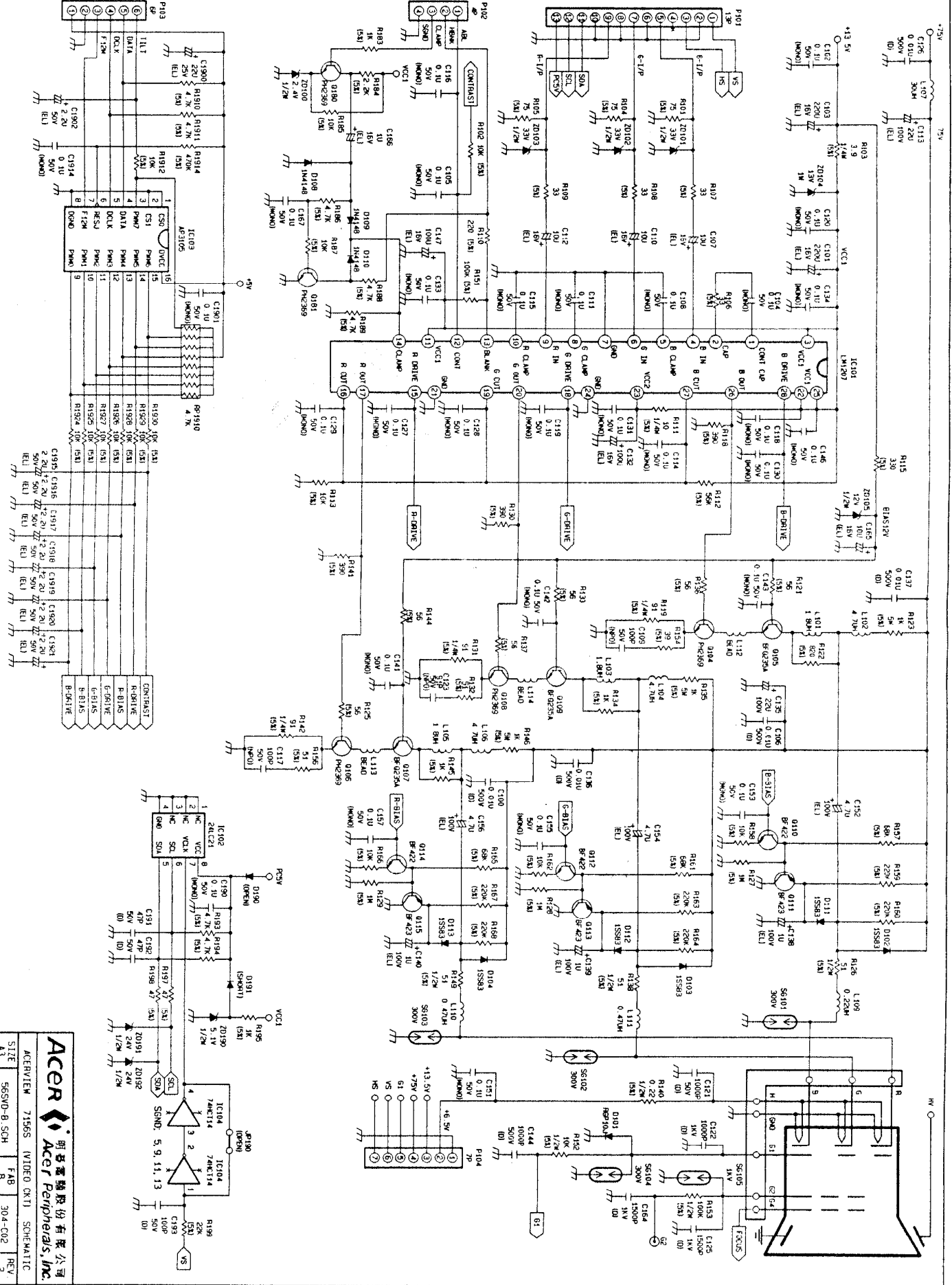
ACER
 宏碁電腦股份有限公司
 Acer Peripherals, Inc.

ACERVIEW	7156S (MAIN CRT)	SCHEMATICS
SIZE	565M1-C SCH	FAR
DATE	10/18/1995	REV
		3
		SHEET
		1 OF
		5



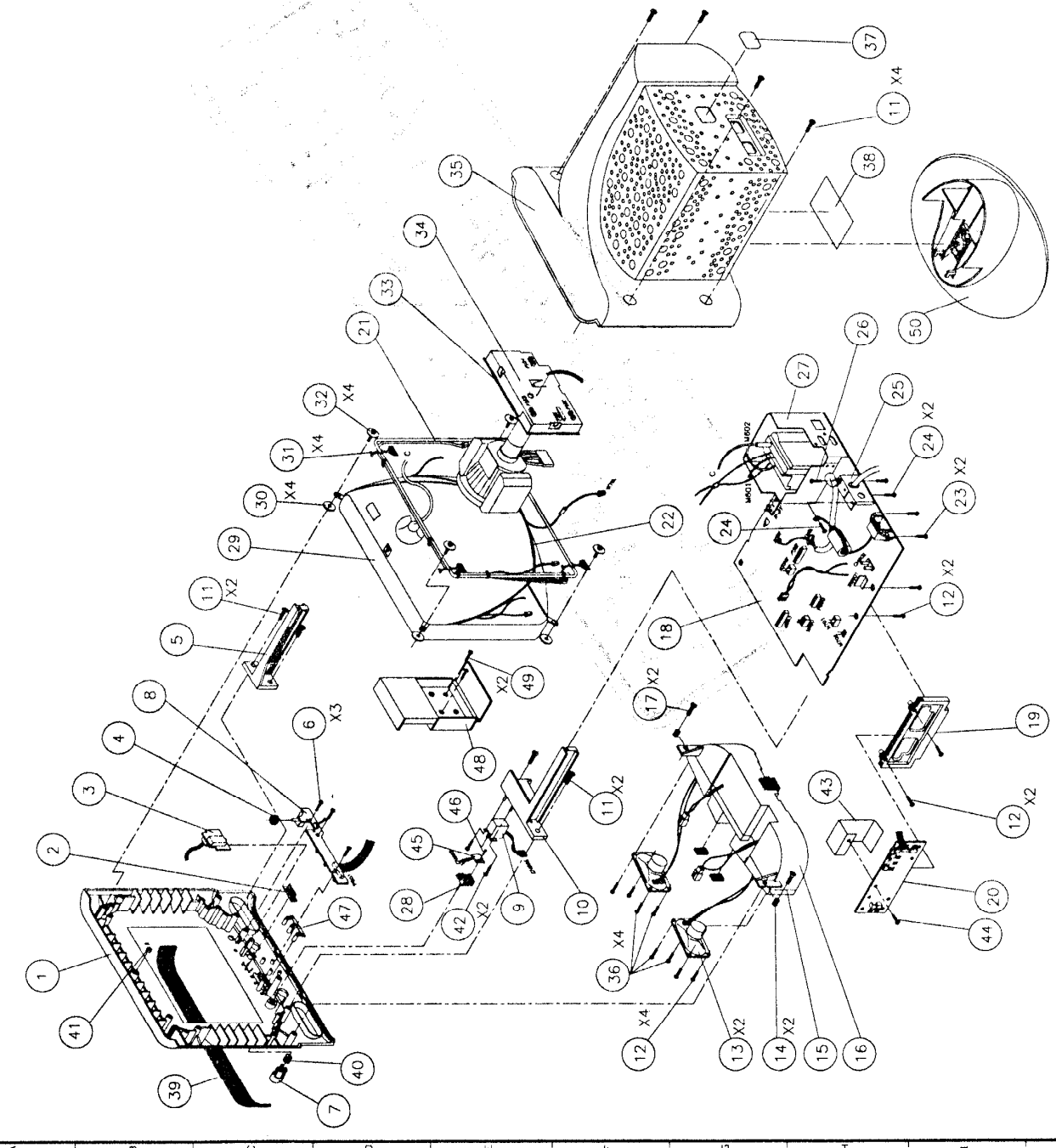
ACER 明基電腦股份有限公司
Acer Peripherals, Inc.

ACBNT#	7156S	(SPS. CKT)	SCHEMATICS
SIZE	A3	565SP-C SCH	FAB
DATE	10/17/1995		REV. C
			304-C01
			SHEET 4 OF 5



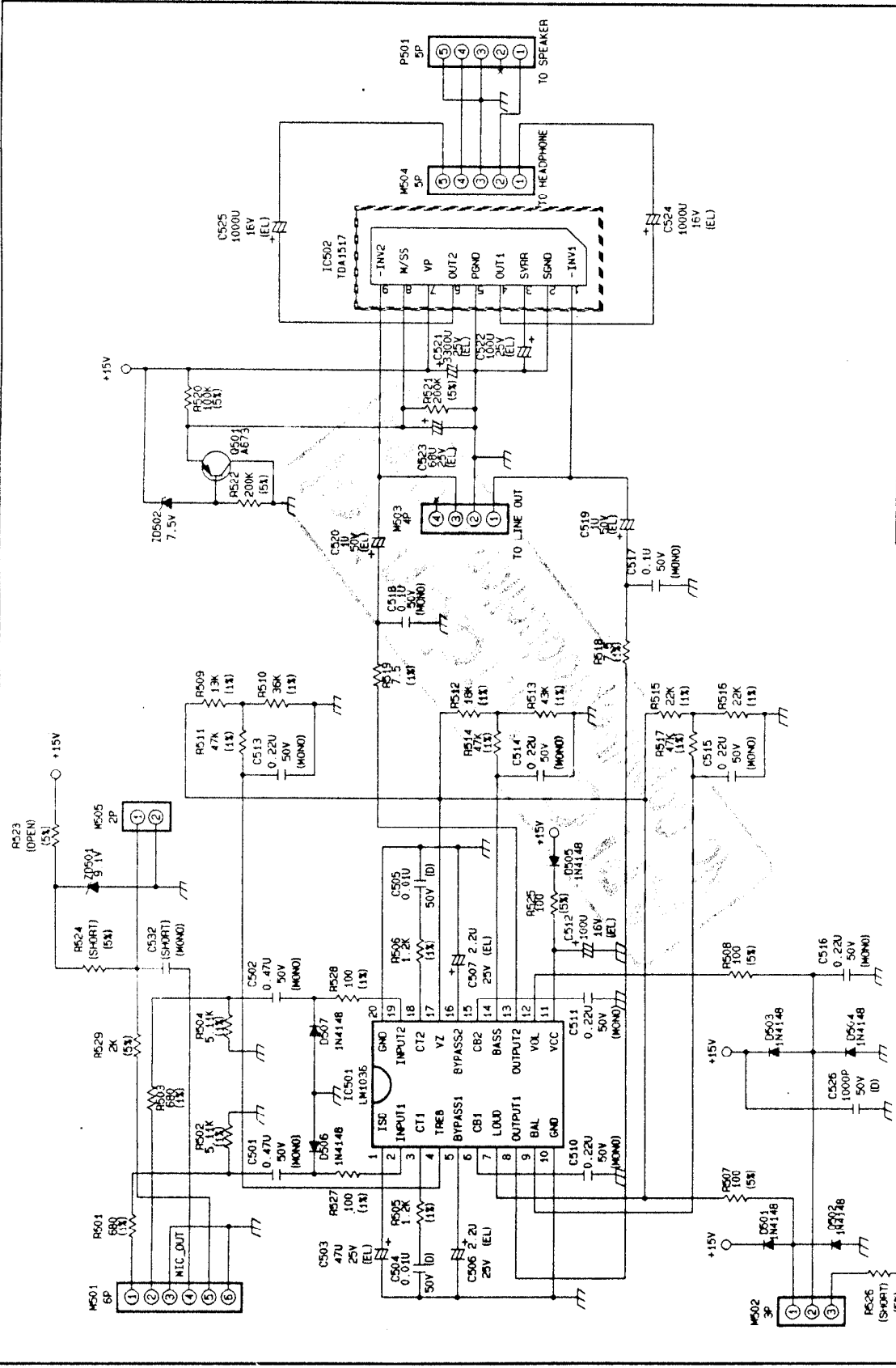
ACER 宏碁電腦股份有限公司
ACER Peripherals, Inc.
 ACBVIEW 71565 VIDEO CRT1 SCHEMATIC
 SIZE 565VD-B-SCH FAB B 304-C02 REV 2
 DATE 10/19/1995 SHEET 1 OF 1

ITEM NO.	PART NO.	DESCRIPTION	QTY
1	417600.000	DR ST. ASSY 71845	1
2	427600.000	LENS LID	1
3	557830.000	HEAT SHIELD, REAR	2
4	427600.000	HEAT SHIELD, FRONT	1
5	427830.000	LENS & P.O. LEFT	1
6	867442.000	TE. CAP. BOARD C-20	3
7	427800.000	TE. CAP. BOARD ASSY	1
8	557860.000	TE. CAP. BOARD C-20	1
9	607832.000	TE. CAP. BOARD C-20	1
10	607832.000	TE. CAP. BOARD C-20	1
11	867442.000	TE. CAP. BOARD C-20	6
12	867442.000	TE. CAP. BOARD C-20	2
13	234007.000	TE. CAP. BOARD C-20	2
14	427810.000	TE. CAP. BOARD C-20	2
15	417800.000	TE. CAP. BOARD C-20	1
16	427830.000	TE. CAP. BOARD C-20	1
17	867442.000	TE. CAP. BOARD C-20	2
18	557830.000	TE. CAP. BOARD C-20	1
19	427830.000	TE. CAP. BOARD C-20	1
20	557830.000	TE. CAP. BOARD C-20	1
21	164007.000	TE. CAP. BOARD C-20	1
22	507800.000	TE. CAP. BOARD C-20	1
23	867442.000	TE. CAP. BOARD C-20	1
24	867442.000	TE. CAP. BOARD C-20	3
25	867442.000	TE. CAP. BOARD C-20	1
26	867442.000	TE. CAP. BOARD C-20	1
27	347800.000	TE. CAP. BOARD C-20	1
28	427800.000	TE. CAP. BOARD C-20	1
29	586271.000	TE. CAP. BOARD C-20	1
30	427700.000	TE. CAP. BOARD C-20	4
31	427800.000	TE. CAP. BOARD C-20	4
32	867442.000	TE. CAP. BOARD C-20	4
33	867442.000	TE. CAP. BOARD C-20	4
34	377800.000	TE. CAP. BOARD C-20	4
35	867442.000	TE. CAP. BOARD C-20	4
36	867442.000	TE. CAP. BOARD C-20	4
37	407800.000	TE. CAP. BOARD C-20	1
38	407800.000	TE. CAP. BOARD C-20	1
39	347800.000	TE. CAP. BOARD C-20	1
40	347800.000	TE. CAP. BOARD C-20	1
41	427800.000	TE. CAP. BOARD C-20	1
42	867442.000	TE. CAP. BOARD C-20	2
43	347800.000	TE. CAP. BOARD C-20	1
44	557860.000	TE. CAP. BOARD C-20	1
45	867442.000	TE. CAP. BOARD C-20	1
46	427800.000	TE. CAP. BOARD C-20	1
47	427800.000	TE. CAP. BOARD C-20	1
48	427800.000	TE. CAP. BOARD C-20	1
49	867442.000	TE. CAP. BOARD C-20	2



REV	DESCRIPTION	SIGN	DATE

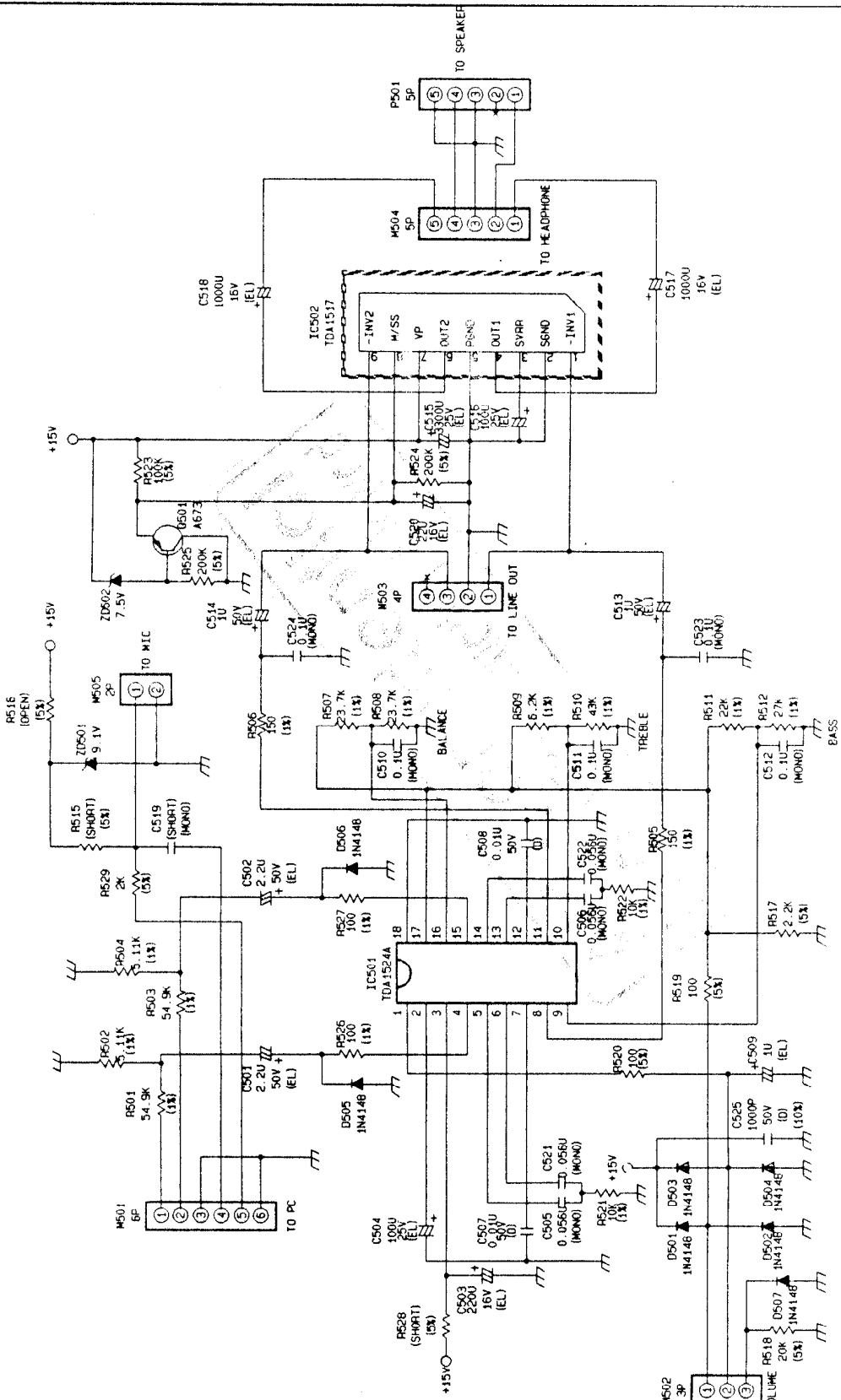
UNIT ON 71845/AAC
 ASSEMBLY DRAWING
 NAME: ASSEMBLY DWG
 DRAWN BY: S.Y. CHEN
 CHECKED BY: M.S. CHEN
 APPROVED BY: M.S. CHEN
 DATE: 11/17/10
 SCALE: 1:1
 SHEET NO: 1 OF 1
 107.76902.001
 Acer Peripherals Inc.

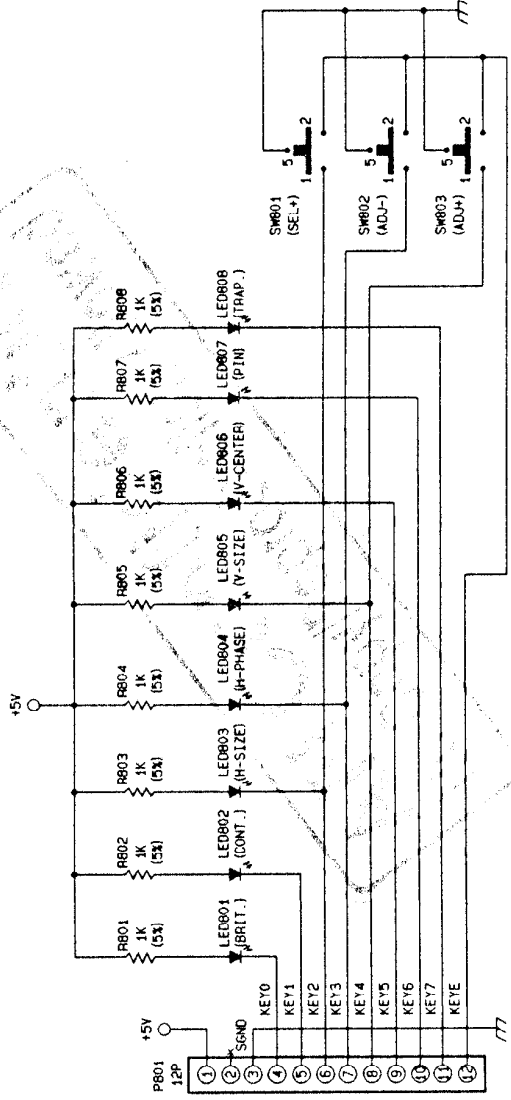
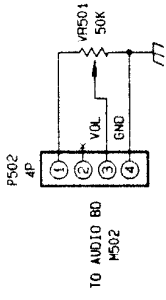


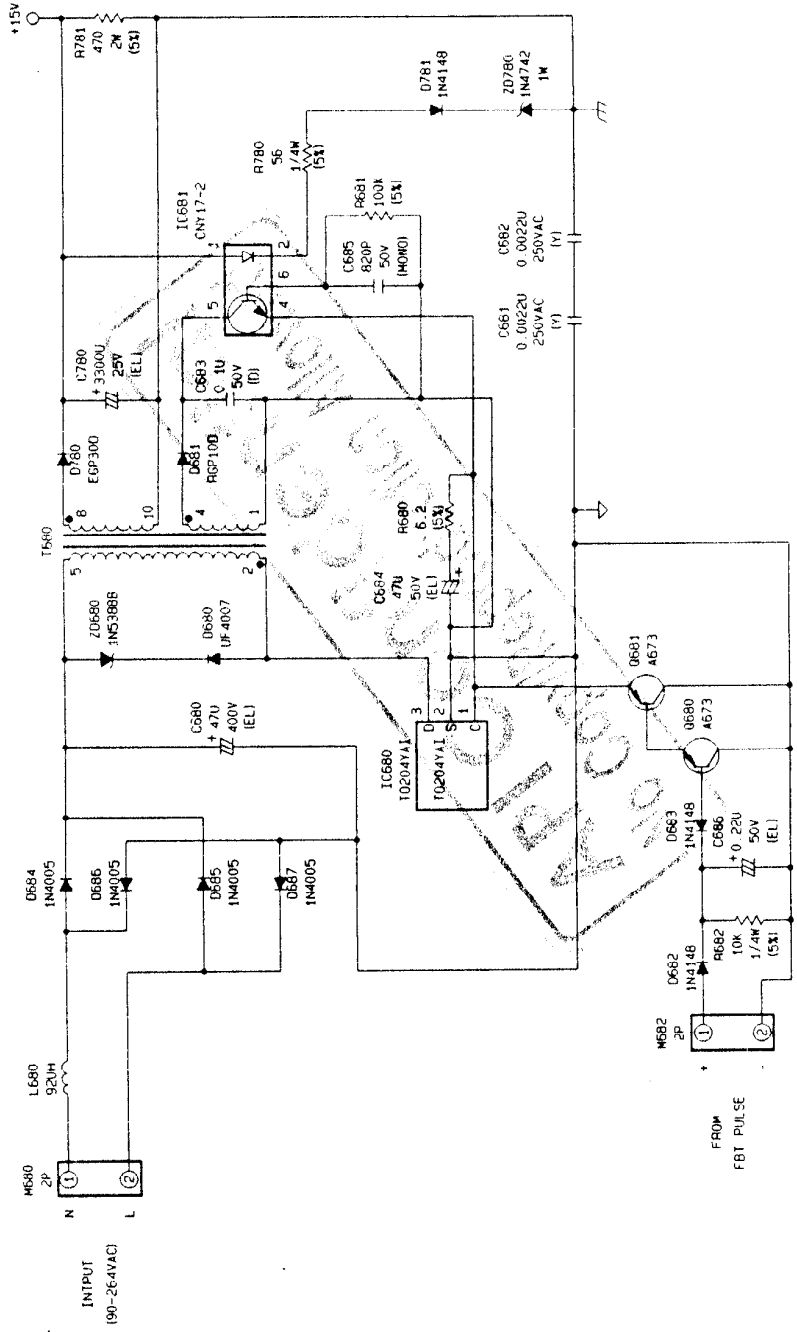
ACER 明基電腦股份有限公司
Acer Peripherals, Inc.

ACERVIEW 7133S/7156S/7134TS/7176IS (FOR NS) (AUDIO_CKT) SCHEMATICS

SIZE A4	FAB B	REV 3
DATE : 10/23/1995		SHEET 1 OF 2
33SAUDIO_SCH		304-C05

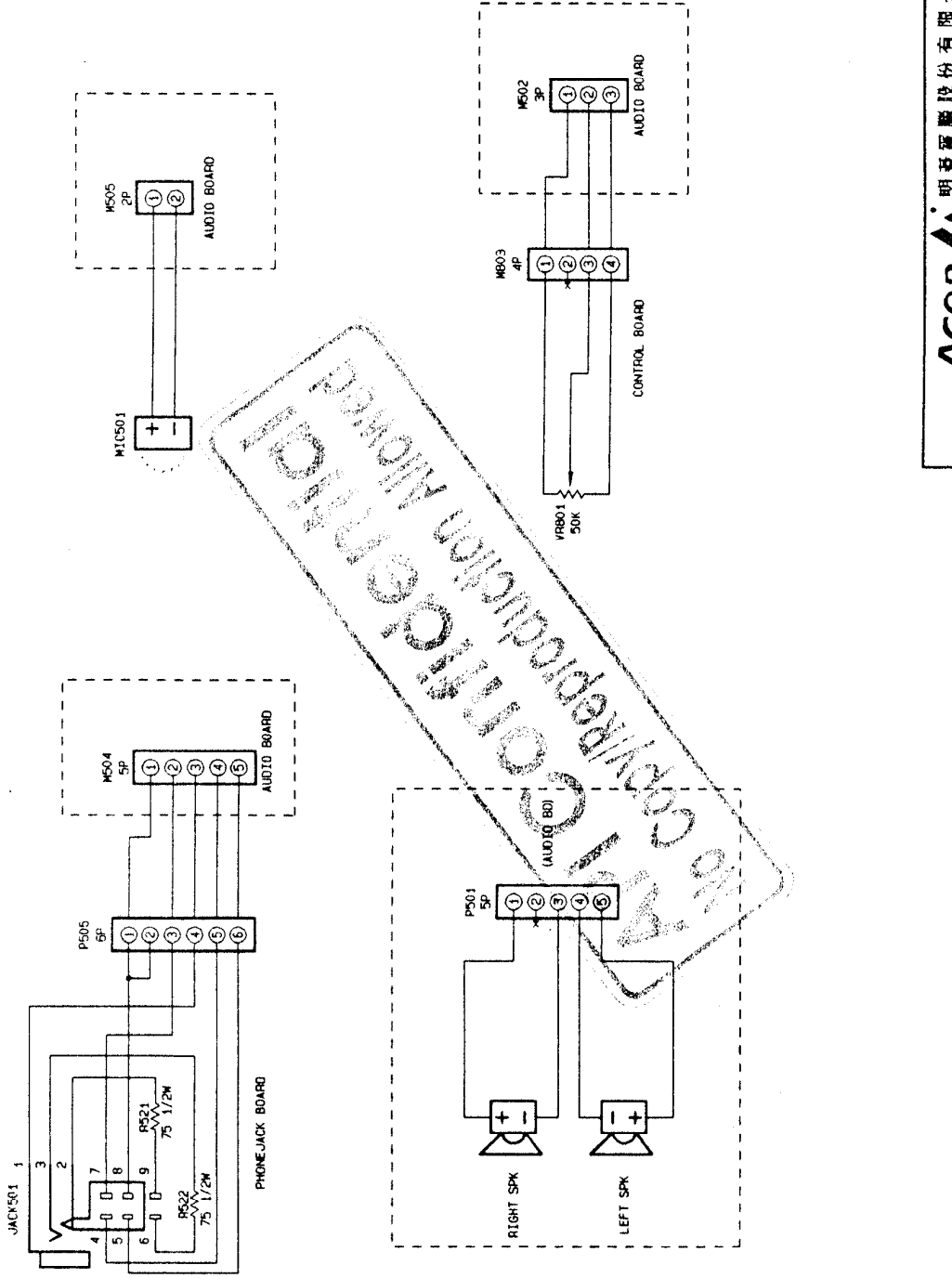






ACER 明基電腦股份有限公司
Acer Peripherals, Inc.

ACERVIEW 7133S/7156S/7134TS/7176IS (AUDIO POWER, BD) SCHEMATICS			
SIZE: A4	FAB: D	304-C03	REV: 3
DATE: 10/16/1995	SHEET: 2	OF: 2	



Copyright © 1995 Acer Peripherals, Inc. All Rights Reserved. No part of this publication may be reproduced, stored in a retrieval system, or transmitted, in any form or by any means, without prior written permission from Acer Peripherals, Inc.

ACER 明碁電腦股份有限公司
Acer Peripherals, Inc.

ACERVIEW 7133S/7156S/7134TS/7176IS (PHONEJACK .CKT) SCHEMATIC	
SIZE A4	FAB A
33SJACK .SCH	304-C06
DATE : 10/19/1995	SHEET 1 OF 1
	REV. 0