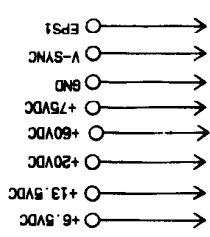


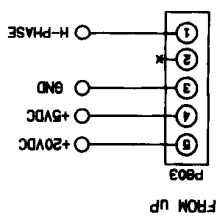
A.3 Deflection Circuit Diagram

REMARK "*" MEAN IS 7136, 7156 BOM DIFFERENCE :

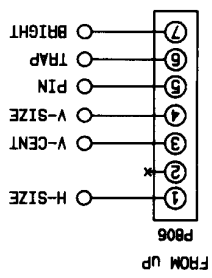
LOCATION	J204	J205	R235	R237	R245	R248	R317	R318	R320	R321	R3			
7156	J.M	J.M	J.M	OPEN	120K	150K	2.2K	F	2.2K	3.32K	51K	22K	100K	35
7136	J.M	OPEN	J.M	SHORT	130K	390K	2K	F	4.7K	2.4K	68K	15K	160K	66
MODE														



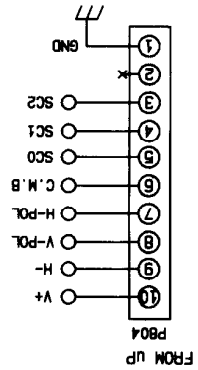
TO SMPs



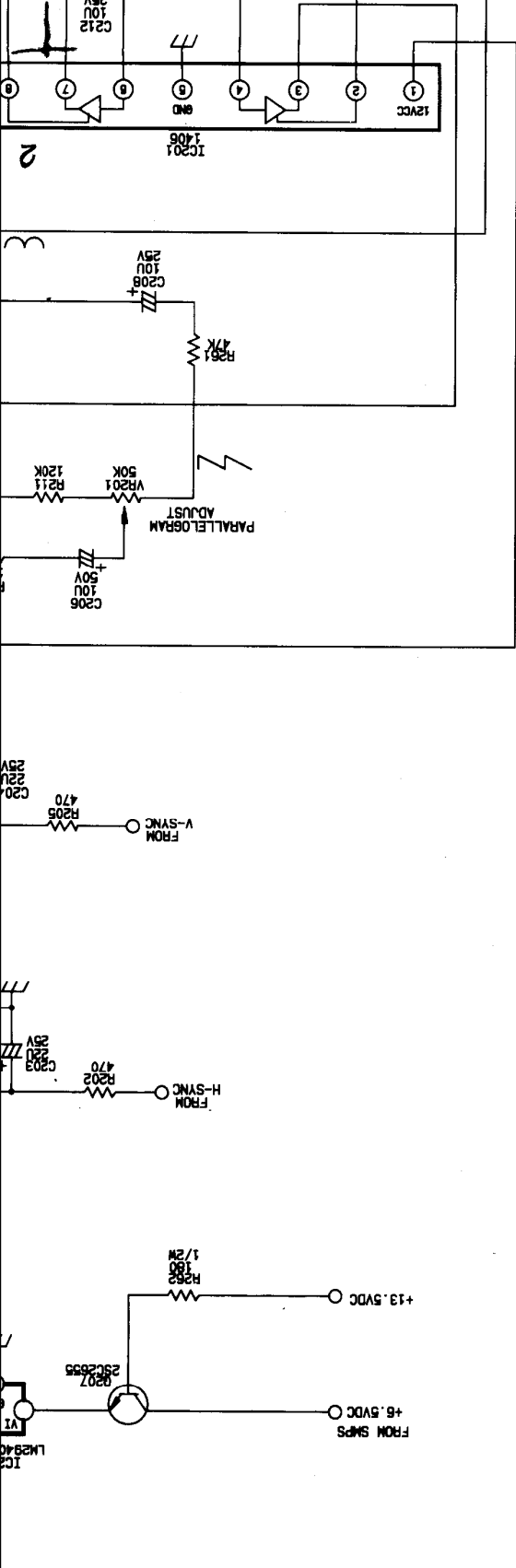
FROM UP

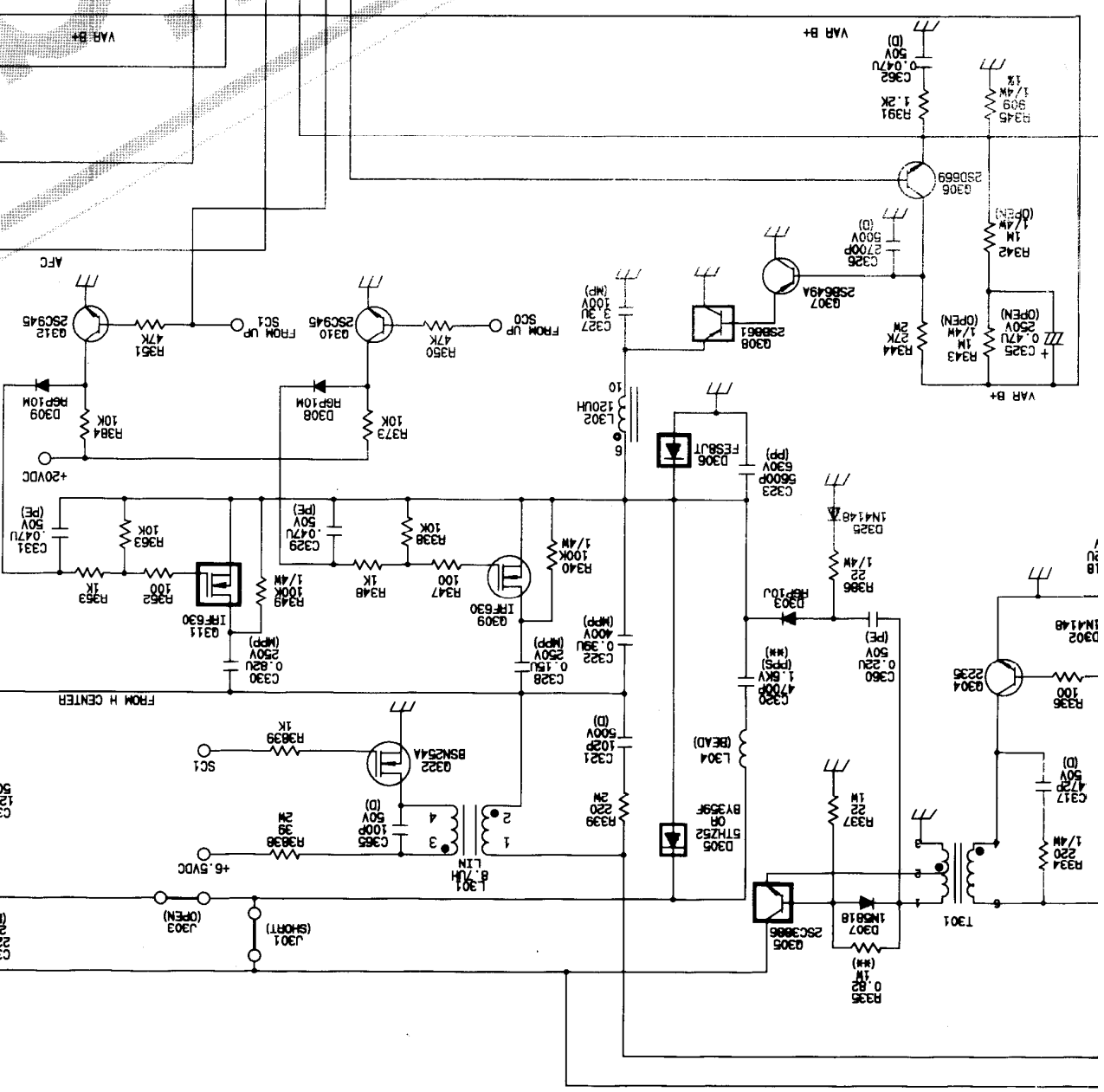
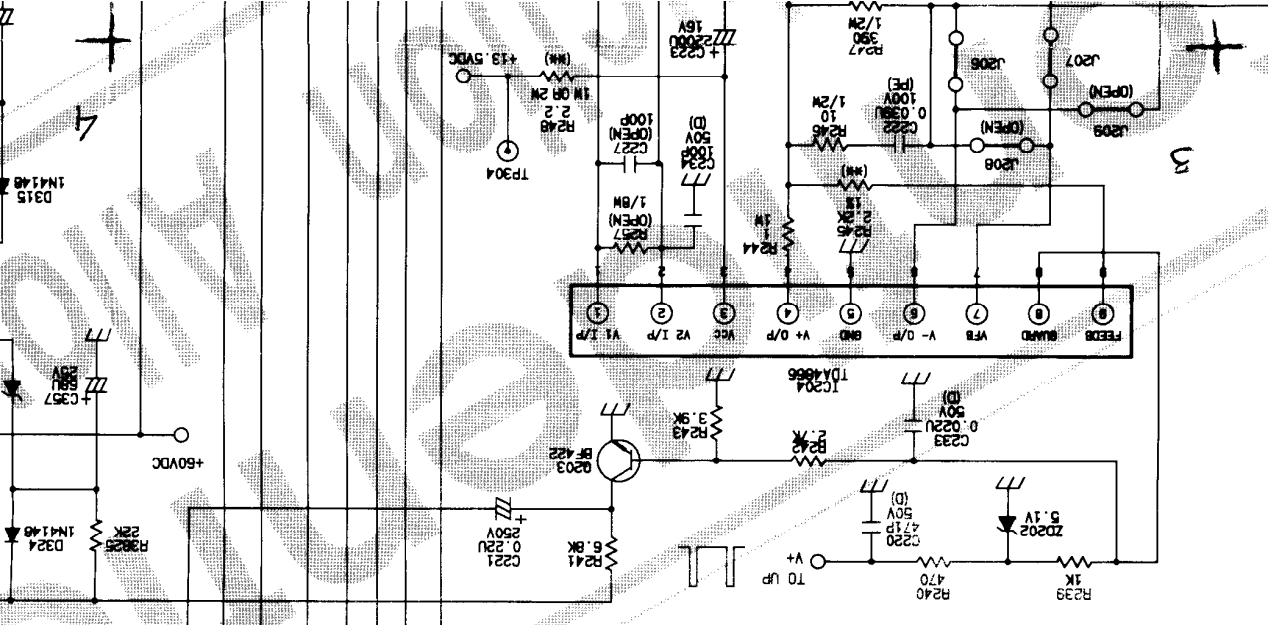


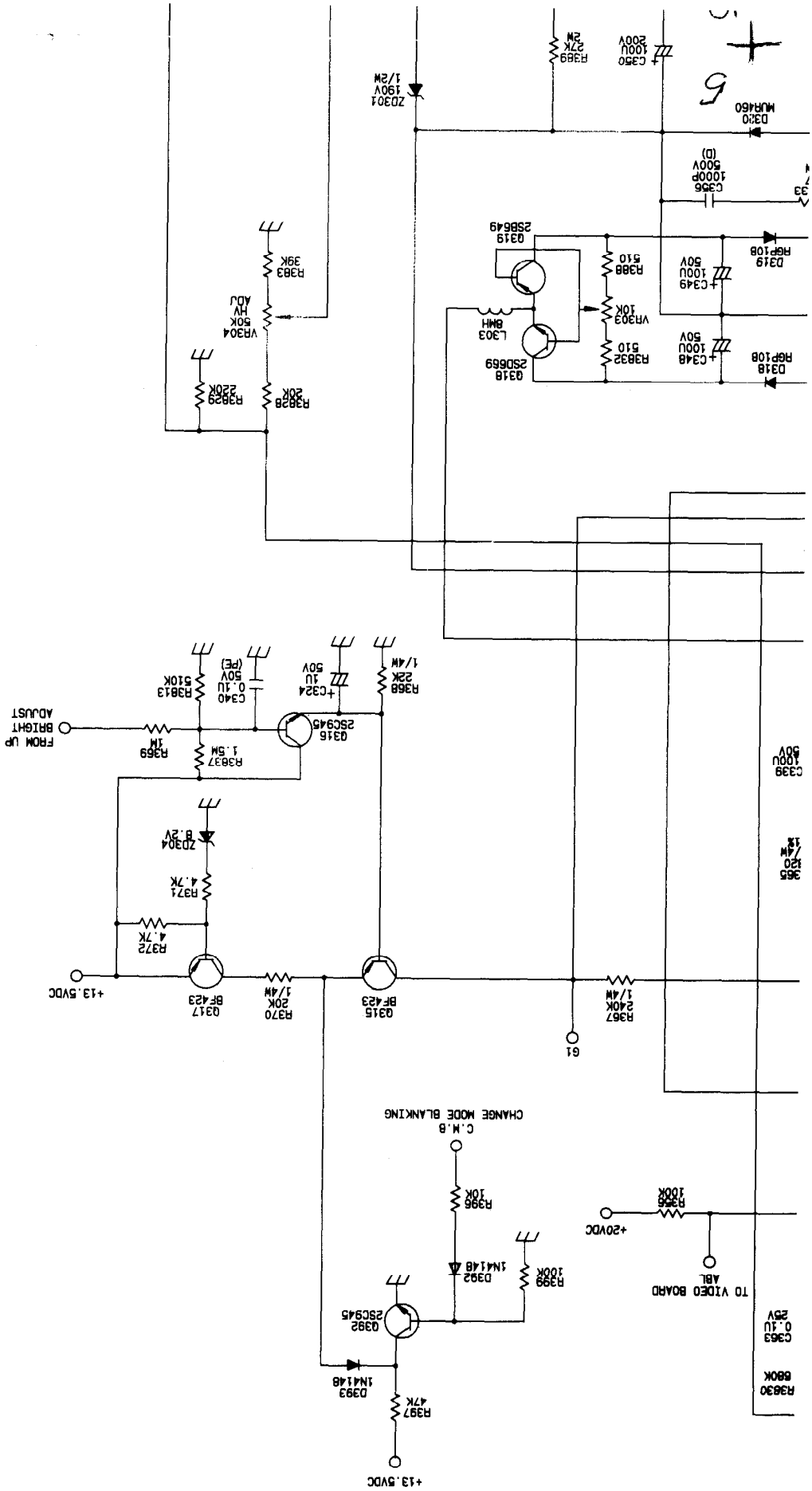
FROM UP

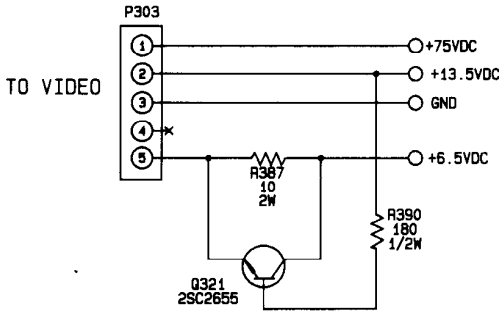
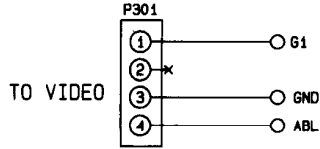
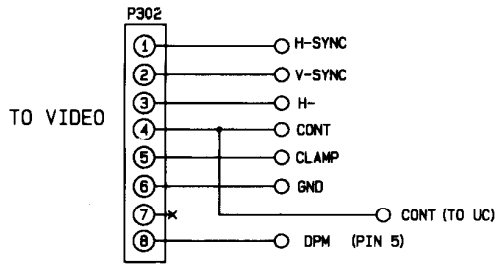


FROM UP





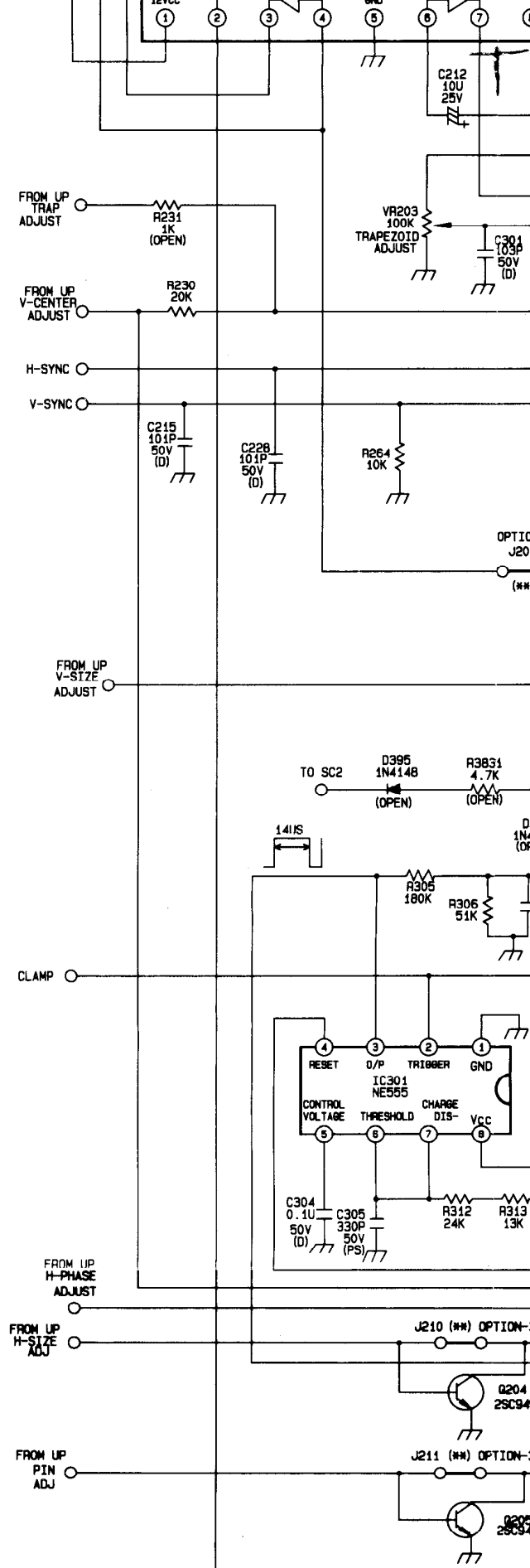


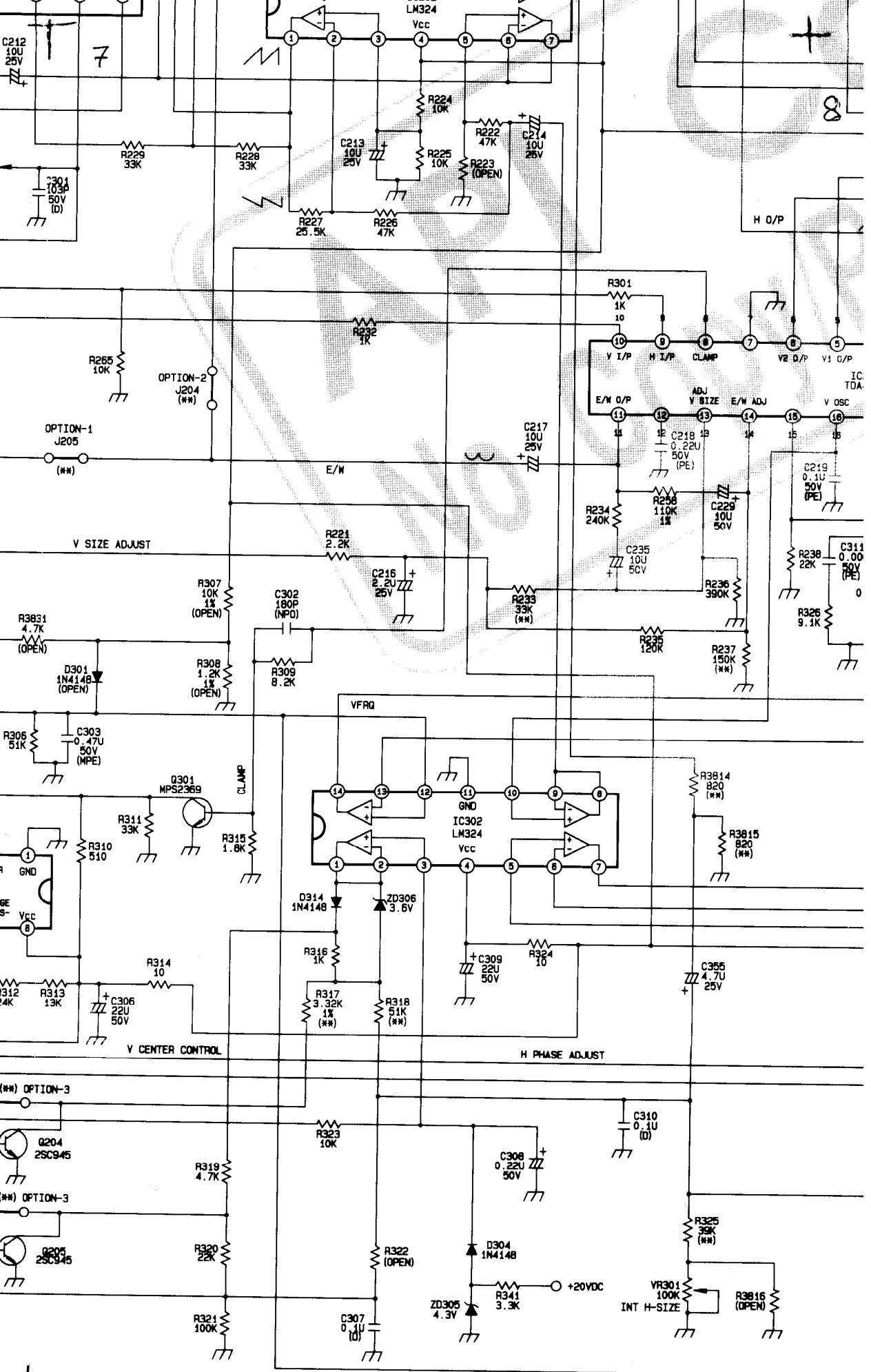


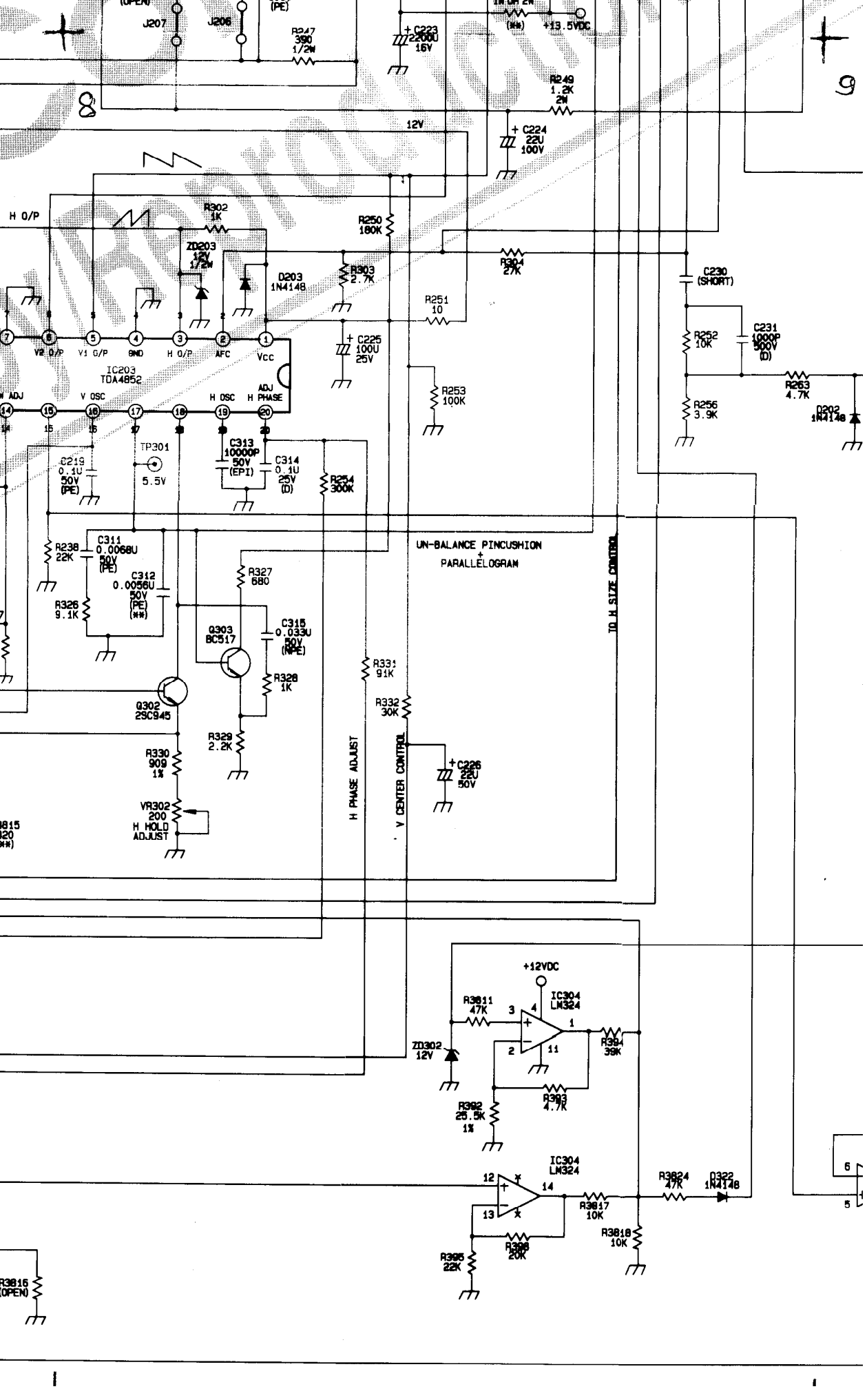
REMARK:

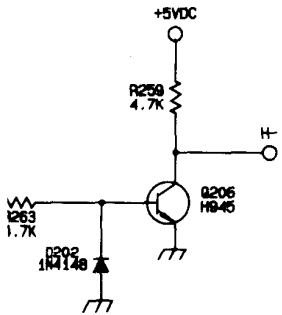
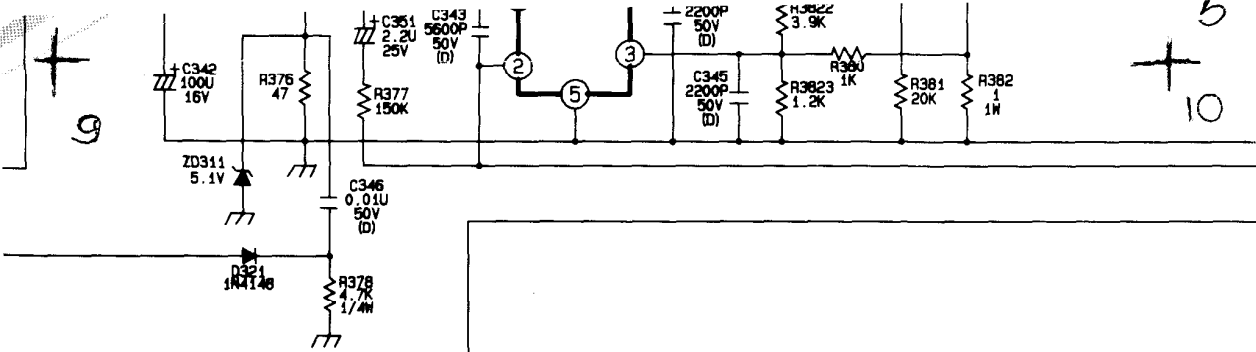
- A. OPTION-1 IS 14" MODE
- B. OPTION-2 IS 15" MODE
- C. OPTION-3 IS 14", 15" NON-OSD MODE

PCB LOCATION CRT	R245	R248	R258	C229	R263	R303B	L301
MEC15" N36KPC	NF 2.2K F	2.2 2W	110K F	EL 10U 50V	4.7K	39 2W	8.7UH
HIT15" N36KLH	NF 2K F	3.9 2W	OPEN	OPEN	10K	27 2W	9.9UH



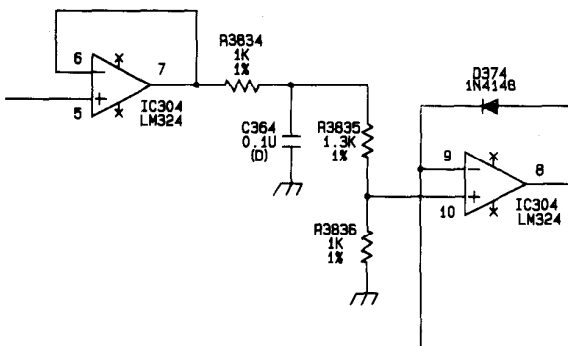


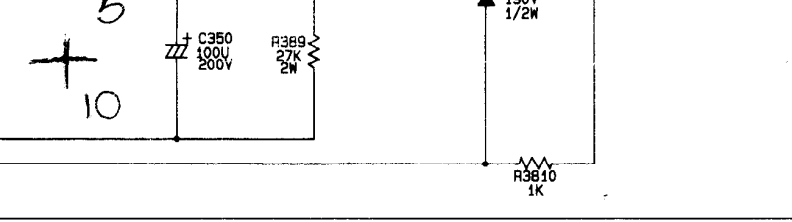




NOTES

1. RESISTOR VALUES ARE IN OHM, K=1.000 OHM M=1.000, 000
2. ALL RESISTORS ARE 1/8WATT EXCEPT WHERE OTHERWISE INDICATED
3. CAPACITOR VALUES ARE IN UF UNLESS OTHERWISE INDICATED
4. ALL CAPACITORS ARE 50V EXCEPT WHERE OTHERWISE INDICATED
5. --- REPRESENTS PCB COMMON GROUND AND --- EARTH (ME)





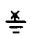
1	2	3	4	5
6	7	8	9	10


OHM M=1.000, 000 OHM

UNLESS OTHERWISE INDICATED

UNLESS OTHERWISE INDICATED P=PF

UNLESS OTHERWISE INDICATED

 EARTH (METALLIC FRAME) GROUND

 明善電腦股份有限公司 Acer Peripherals, Inc.			
ACERVIEW 7156 SCHEMATICS (DEF. CKT)			
SIZE A1	156MN-8		REV. S5
DATE:	2/3/1994	SHEET	1 OF 1