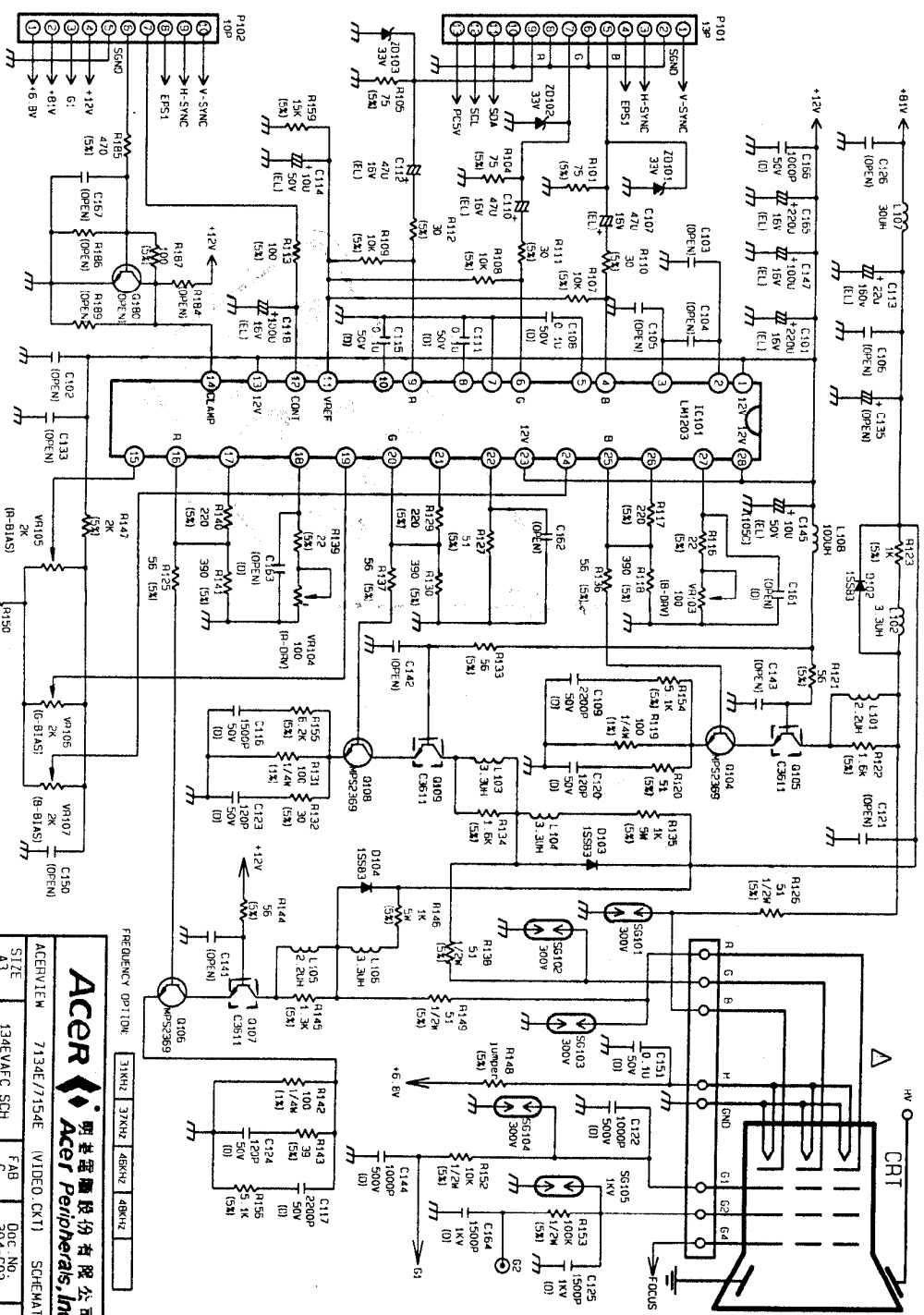


△ The components identified by the mark △ if the schematic are important X-radiation and Safety Parts. Should replacement be required, replace only with the same type and rating originally used. CR1, 1302(FB1), R226, R231, R290, IC201, C314, C315, T601



NOTES:  
 1. Resistor values are in ohm, K=1,000 ohm, M=1,000,000 ohm  
 2. All resistors are 1/8 watt except where otherwise indicated  
 3.  $\nabla$   $\nabla$   $\nabla$  Represents PCB common ground.

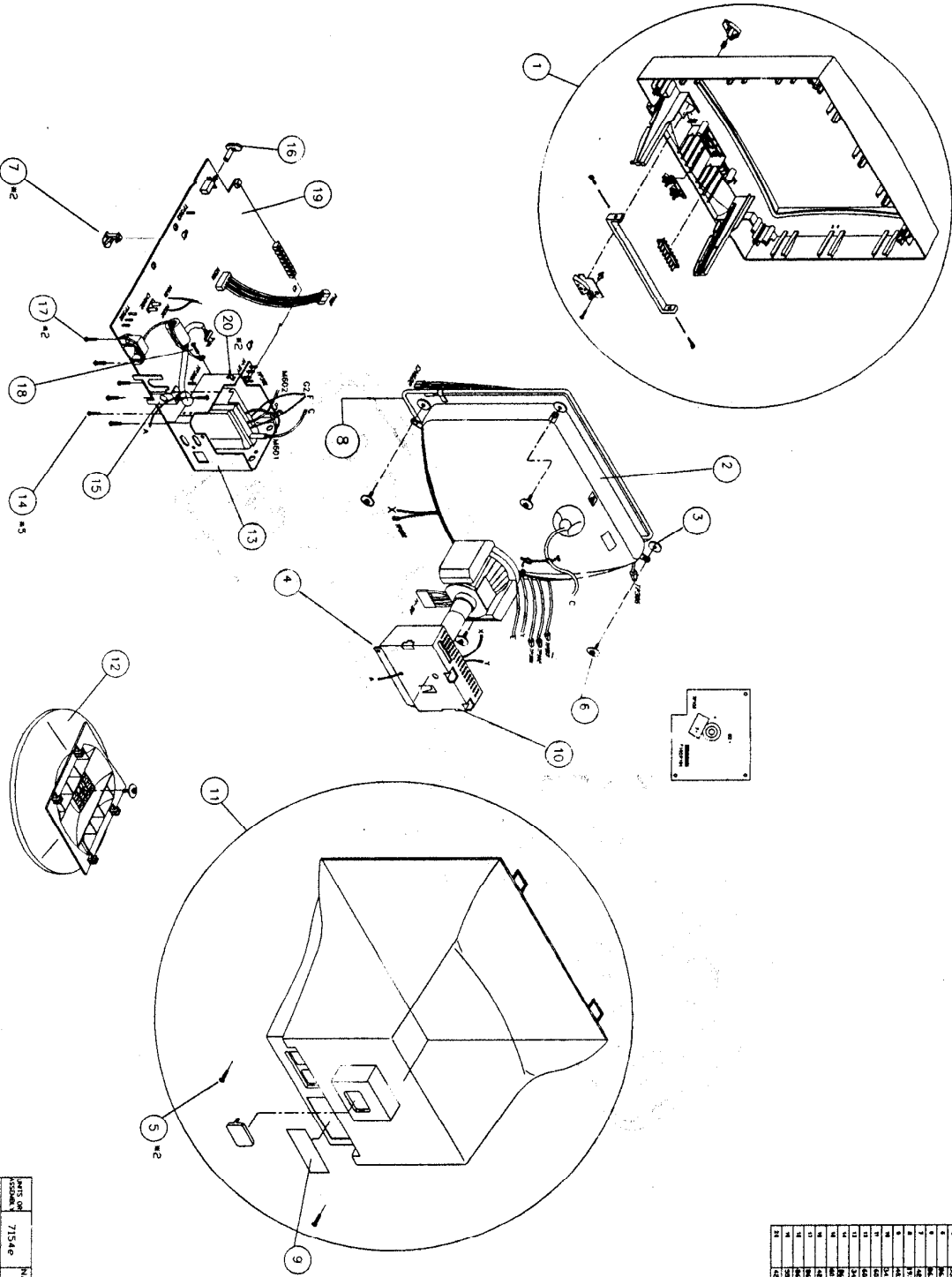
**ACER** 宏碁電腦股份有限公司  
**Acer Peripherals, Inc.**

ACER ITEM 7134E/7154E (VIDEO CRT) SCHEMATICS

SIZE A3	134EVAFC SCH	FAB C	Doc. NO. 304-C02	REV. 0
DATE: 8/7/1996	Sheet 1	OF 2		
Project Code: 91.77502.001	Prepared By:	Reviewed By:	Approved By:	

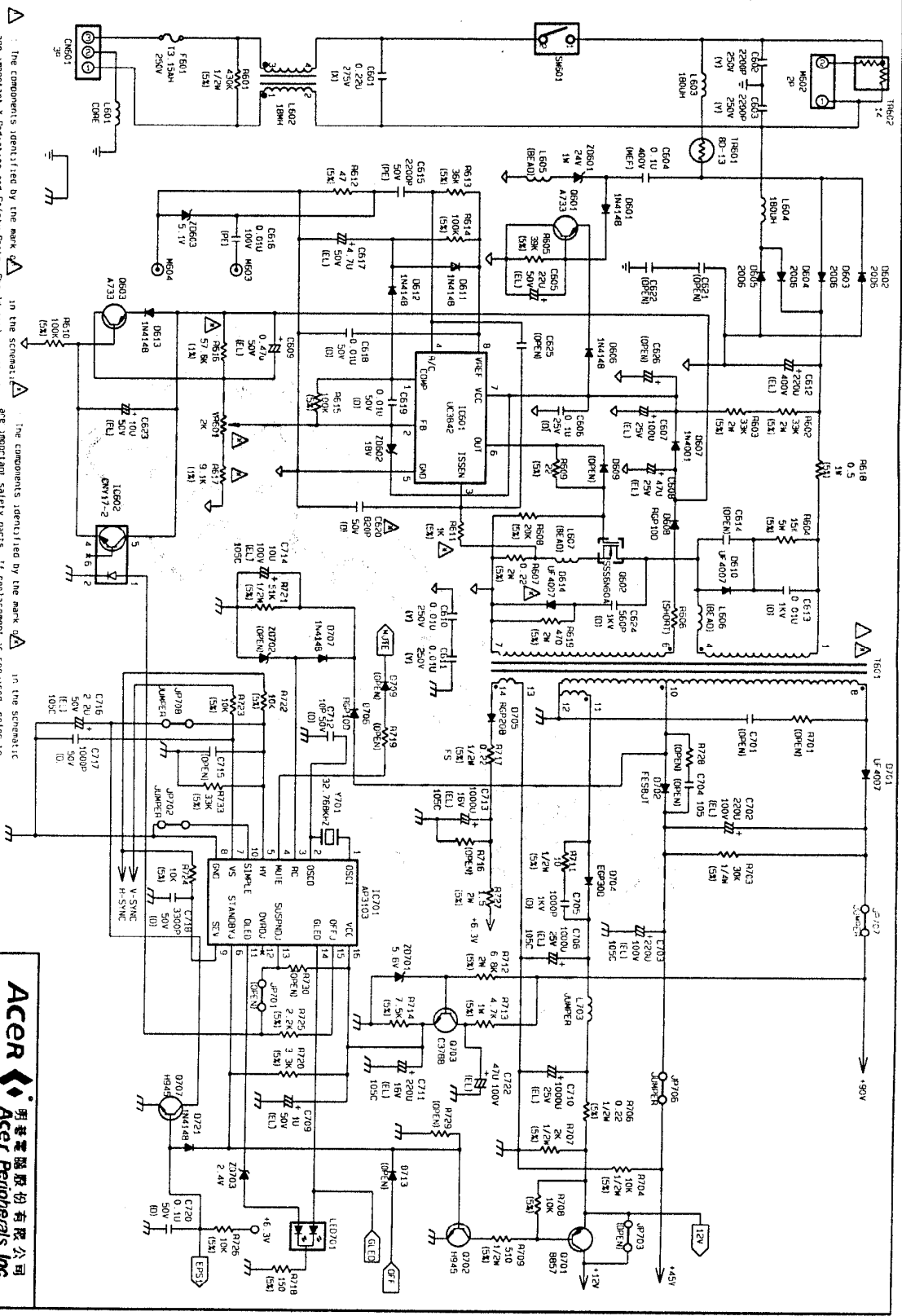
FREQUENCY OPT. IOK:  3KHz  37KHz  48KHz  48MHz

FIG. NO.	LIST NO.	DESCRIPTION	QTY.
1	1	ASSEMBLY LEFT SIDE	1
2	1	ASSEMBLY RIGHT SIDE	1
3	1	ASSEMBLY FRONT	1
4	1	ASSEMBLY REAR	1
5	1	ASSEMBLY TOP	1
6	1	ASSEMBLY BOTTOM	1
7	1	ASSEMBLY FRONT PANEL	1
8	1	ASSEMBLY REAR PANEL	1
9	1	ASSEMBLY TOP PANEL	1
10	1	ASSEMBLY BOTTOM PANEL	1
11	1	ASSEMBLY FRONT PANEL	1
12	1	ASSEMBLY REAR PANEL	1
13	1	ASSEMBLY TOP PANEL	1
14	1	ASSEMBLY BOTTOM PANEL	1
15	1	ASSEMBLY FRONT PANEL	1
16	1	ASSEMBLY REAR PANEL	1
17	1	ASSEMBLY TOP PANEL	1
18	1	ASSEMBLY BOTTOM PANEL	1
19	1	ASSEMBLY FRONT PANEL	1
20	1	ASSEMBLY REAR PANEL	1



DATE	7/15/64	NAME	ASSY DRAWING
BY	J. J. JONES	SCALE	AS SHOWN
CHECKED	J. J. JONES	BY	J. J. JONES
APPROVED	J. J. JONES	DATE	7/15/64
PARTS OF		REV. REVISION	
1	ASSEMBLY	1	ASSEMBLY
2	ASSEMBLY	2	ASSEMBLY
3	ASSEMBLY	3	ASSEMBLY
4	ASSEMBLY	4	ASSEMBLY
5	ASSEMBLY	5	ASSEMBLY
6	ASSEMBLY	6	ASSEMBLY
7	ASSEMBLY	7	ASSEMBLY
8	ASSEMBLY	8	ASSEMBLY
9	ASSEMBLY	9	ASSEMBLY
10	ASSEMBLY	10	ASSEMBLY
11	ASSEMBLY	11	ASSEMBLY
12	ASSEMBLY	12	ASSEMBLY
13	ASSEMBLY	13	ASSEMBLY
14	ASSEMBLY	14	ASSEMBLY
15	ASSEMBLY	15	ASSEMBLY
16	ASSEMBLY	16	ASSEMBLY
17	ASSEMBLY	17	ASSEMBLY
18	ASSEMBLY	18	ASSEMBLY
19	ASSEMBLY	19	ASSEMBLY
20	ASSEMBLY	20	ASSEMBLY

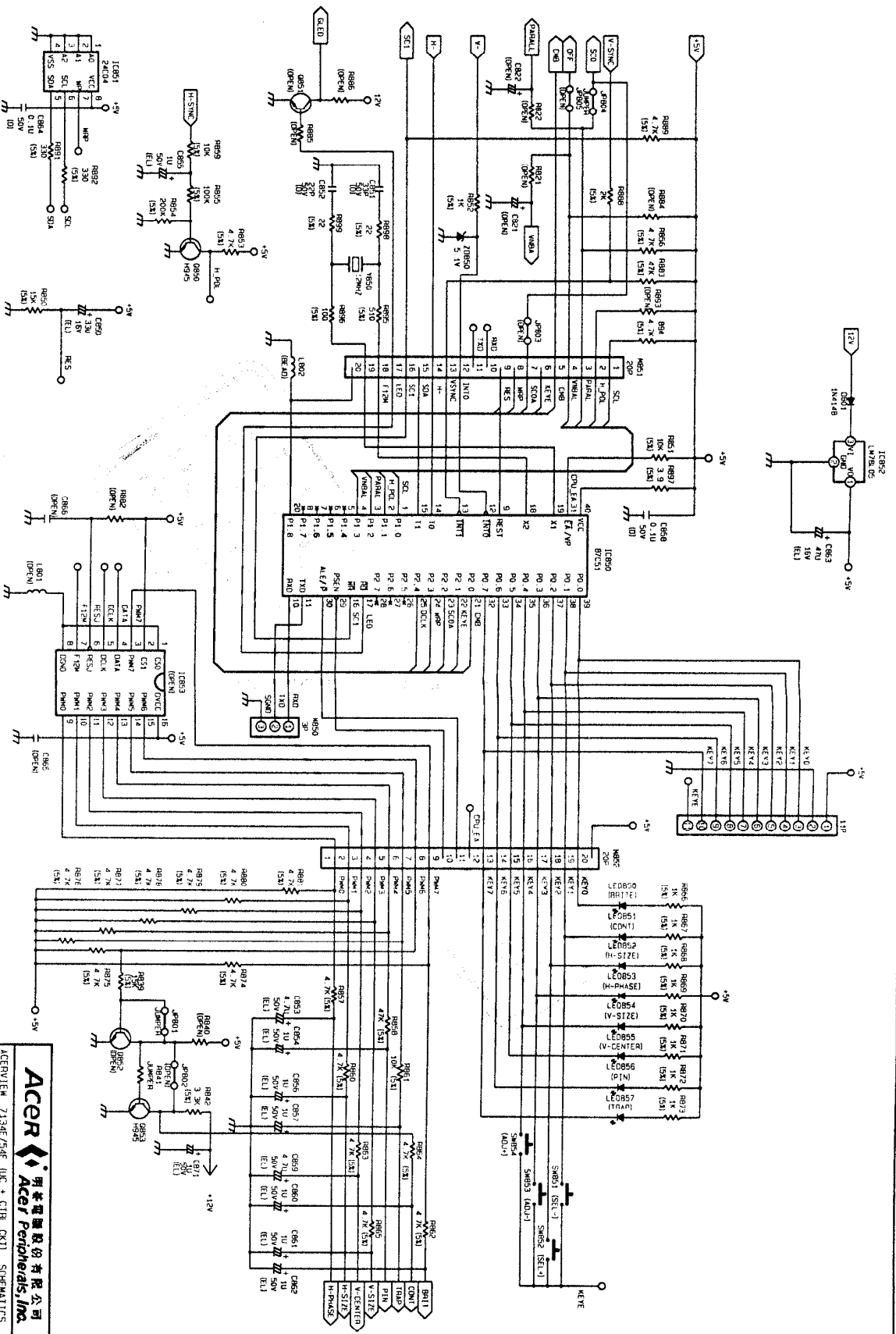
57-78502-001



▲ In the schematic, the components identified by the mark ▲ are important safety parts. If replacement is required, refer to the important safety parts in the service manual to re-adjust and/or re-checked the B- and High Voltage to reach the specified value.  
 ▲ In the schematic, the components identified by the mark ▲ are important safety parts. If replacement is required, refer to the important safety parts in the service manual to re-adjust and/or re-checked the B- and High Voltage to reach the specified value.

NOTES: 1. Resistor values are in Ohm, K=1,000 Ohm, M=1,000,000 Ohm  
 2. All resistors are 1/8 watt except where otherwise indicated  
 3. ♣ represents PCB common ground.

<b>宏碁電腦股份有限公司</b> <b>Acer Peripherals, Inc.</b>			
ACERVIEW	7154E	(SPS: CK1)	SCH:KMTICS
SIZE	154E/MAC_SCH	FAB	DOC NO.
A3		C	304-001
DATE	6/6/1996	Sheet	4 OF 5
Project Code:	91.78502.001	Prepared By	Reviewed By
Approved By			

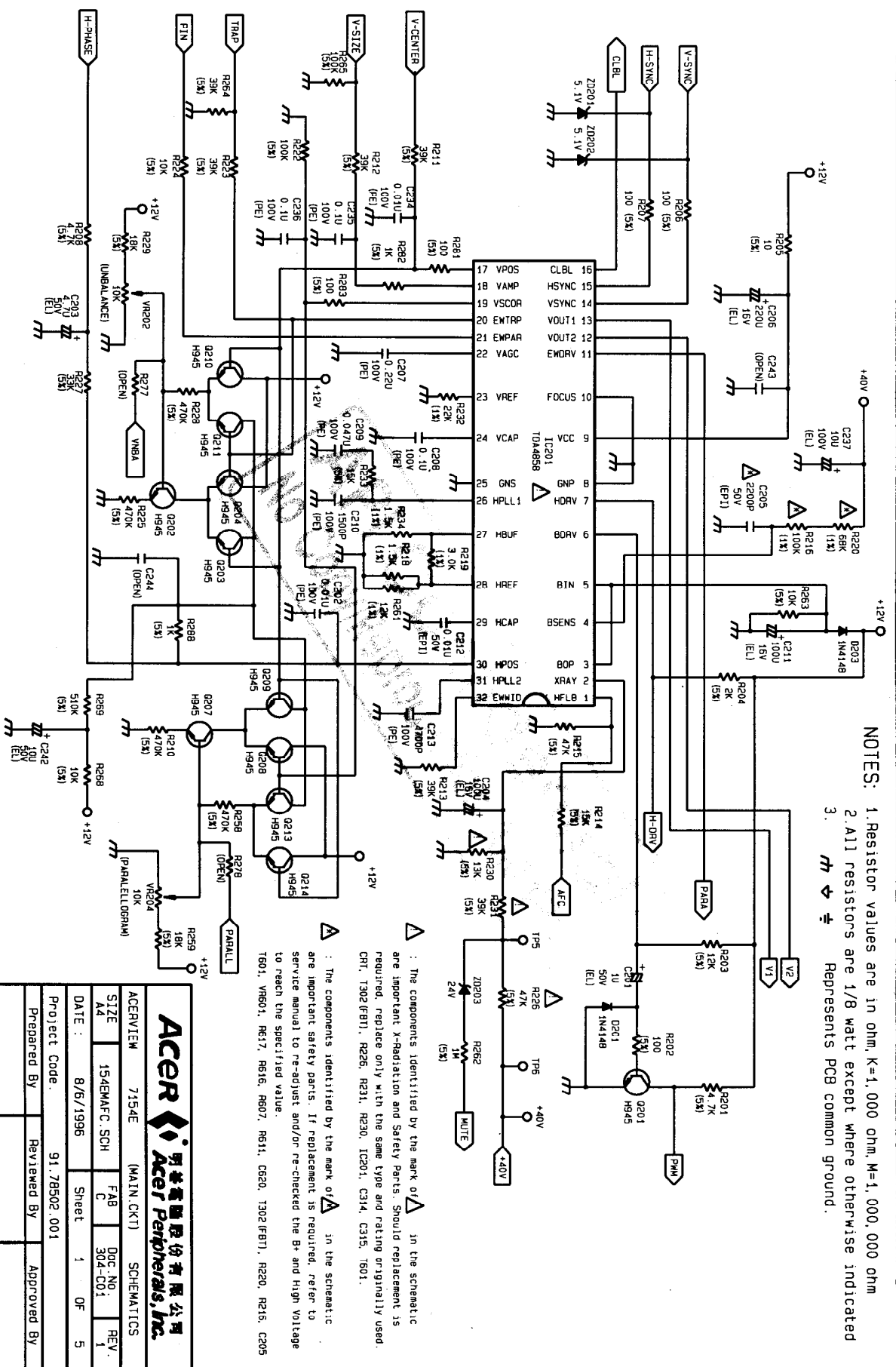


NOTES: 1. Resistor values are in ohm, K=1,000 ohm, M=1,000,000 ohm  
 2. All resistors are 1/8 watt except where otherwise indicated  
 3.  $\text{H}$   $\leftarrow$   $\text{H}$  Represents PCB common ground.

**ACER** 宏碁電腦股份有限公司  
**Acer Peripherals, Inc.**

ACERVIEW 7134E/754E UC + CTRL CKT1	SHEMATIC5
SIZE A3	154E/MAR C. SCH
DATE: B/6/1996	FAB C 304-7-01
Product Code	REV 1
Prepared By	91.76502.001
Reviewed By	Sheet 5 OF 5
Approved By	

NOTES: 1. Resistor values are in ohm, K=1,000 ohm, M=1,000,000 ohm  
 2. All resistors are 1/8 watt except where otherwise indicated  
 3.  $\nabla$   $\nabla$   $\nabla$  Represents PCB common ground.




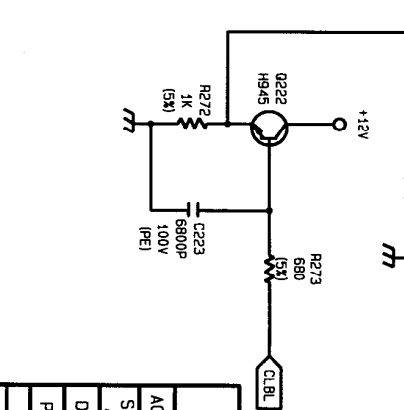
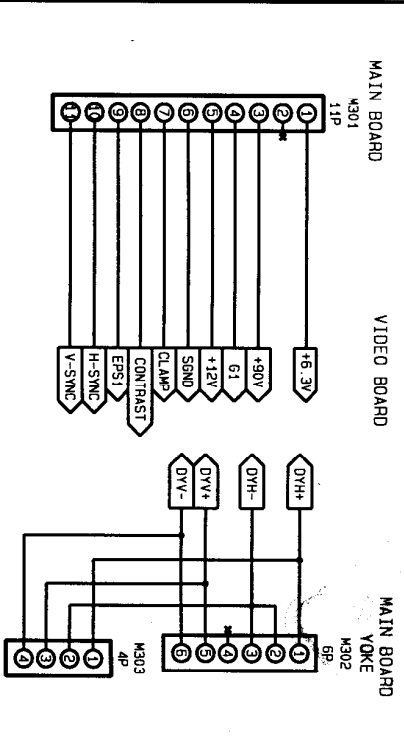
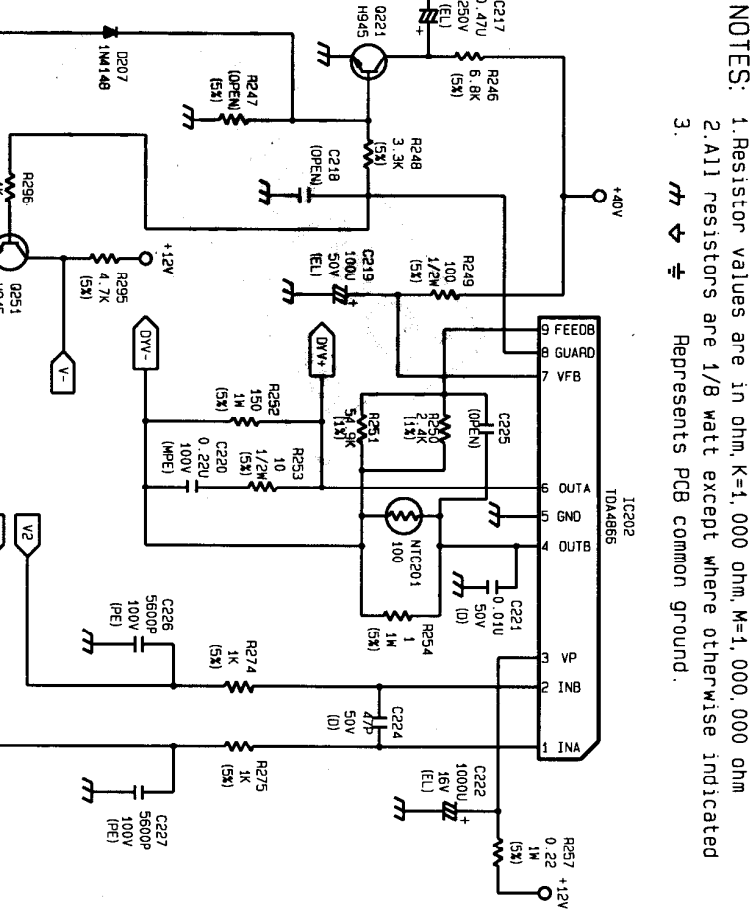
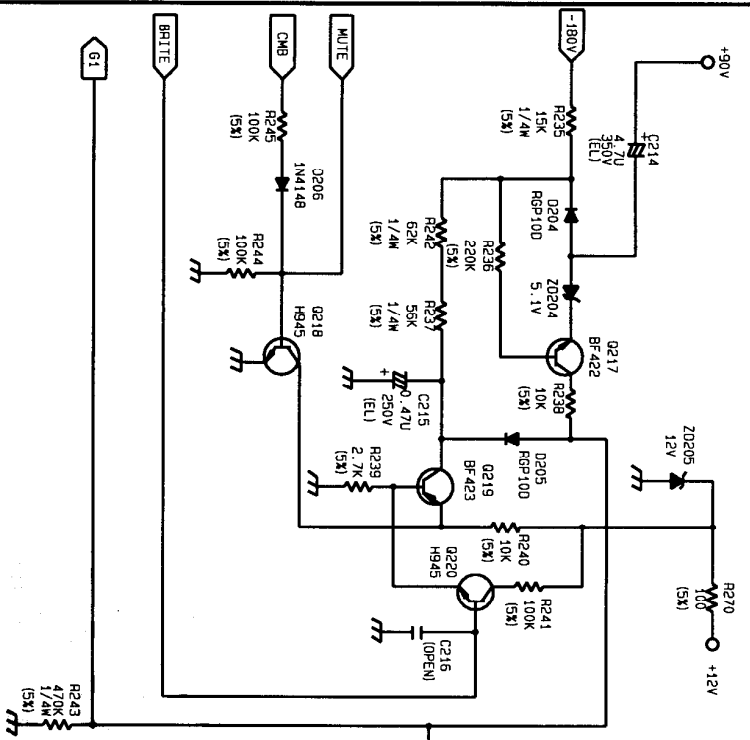
$\nabla$  : The components identified by the mark of  $\nabla$  in the schematic are important X-radiation and Safety Parts. Should replacement is required, replace only with the same type and rating originally used. CRT, T302(FBT), R226, R231, R230, IC201, C314, C315, T601.

$\nabla$  : The components identified by the mark of  $\nabla$  in the schematic are important safety parts. If replacement is required, refer to service manual to re-adjust and/or re-checked the B+ and High Voltage to reach the specified value. T601, VR601, R617, R616, R607, R611, C620, T302(FBT), R220, R216, C205



ACERVIEW	7154E	(MAIN CKT)	SCHEMATICS
SIZE	A4	15AEMAF.C.SCH	REV. 1
DATE	8/6/1996	Sheet 1	OF 5
Project Code	91.7B502.001	Prepared By	Reviewed By
Approved By			

NOTES: 1. Resistor values are in ohm, K=1,000 ohm, M=1,000,000 ohm  
 2. All resistors are 1/8 watt except where otherwise indicated  
 3.  Represents PCB common ground.



ACERVIEW 7154E (MAIN.CKT) SCHEMATICS

SIZE A4 FAB 154EAMAF.C.SCH DOC.NO: 304-C01 REV. 1

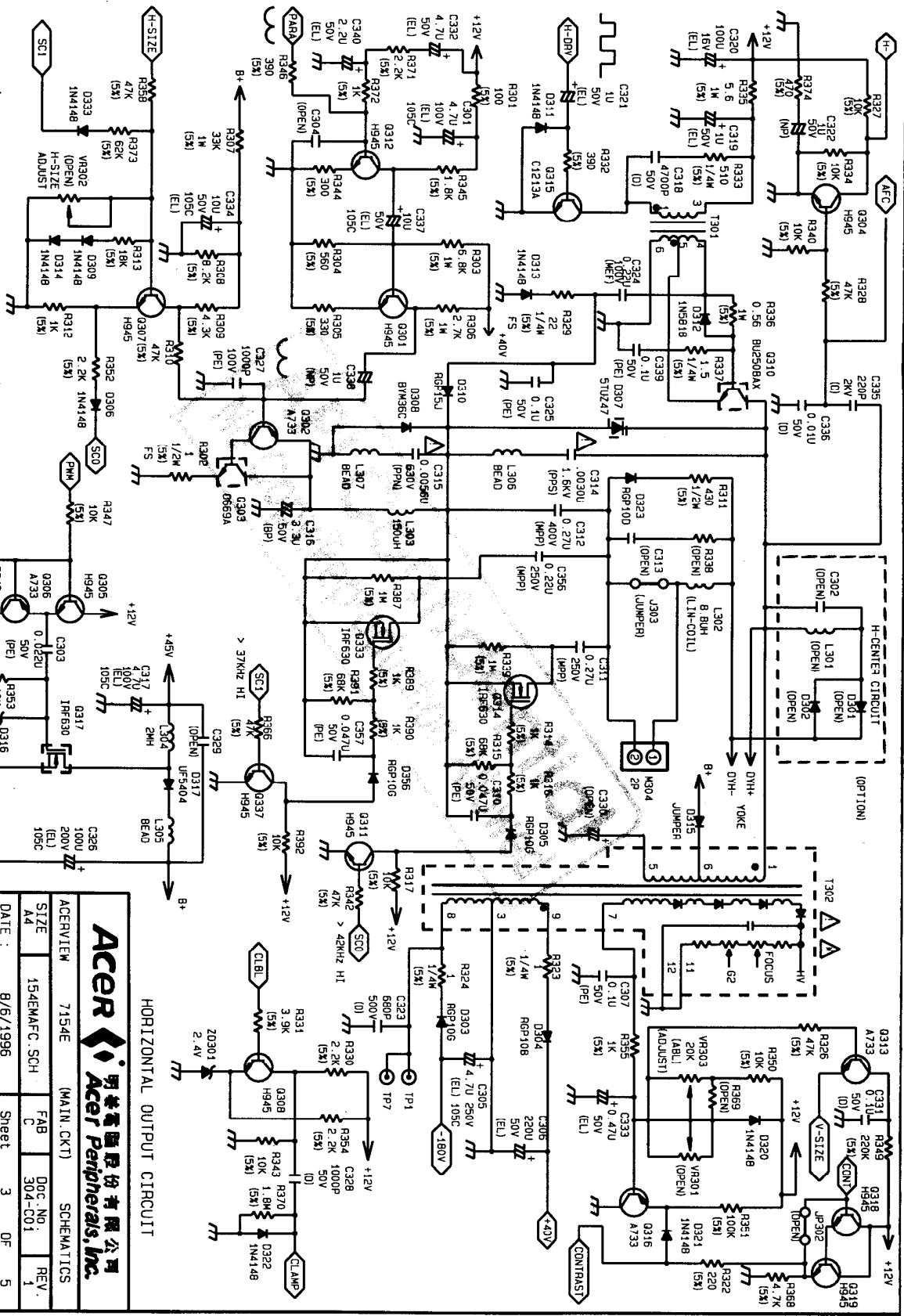
DATE: 8/6/1996 Sheet 2 Of 5

Project Code: 91.79502.001

Prepared By Reviewed By Approved By

NOTES:

1. Resistor values are in ohm, K=1,000 ohm, M=1,000,000 ohm
2. All resistors are 1/8 watt except where otherwise indicated.
3.  $\rightarrow$  Represents PCB common ground.



HORIZONTAL OUTPUT CIRCUIT



明基電腦股份有限公司  
Acer Peripherals, Inc.

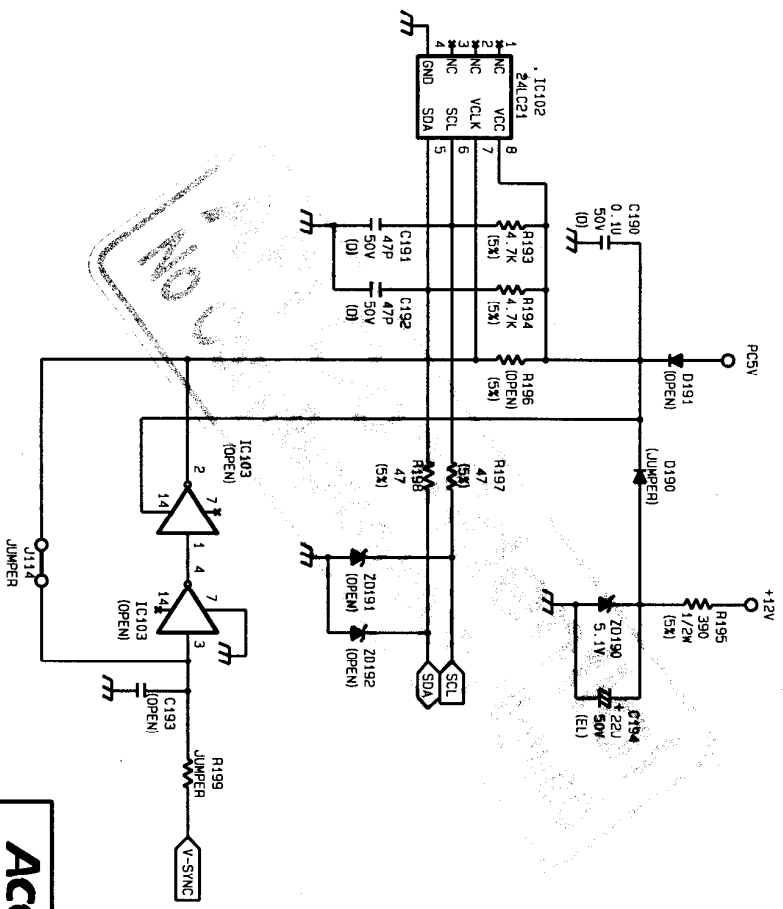
AGERVIEW 7154E (MAIN CKT) SCHEMATICS

SIZE A4 154EWAFC.SCH FAB C DGC NO. 304-C01 REV. 1

DATE: 8/6/1996 Sheet 3 OF 5

Project Code: 91.7B502.001

Prepared By: Reviewed By: Approved By:



- NOTES:
1. Resistor values are in ohm, K=1,000 ohm, M=1,000,000 ohm
  2. All resistors are 1/8 watt except where otherwise indicated
  3.  $\nabla$   $\rightarrow$   $\neq$  Represents PCB common ground.

<b>宏碁電腦股份有限公司</b> <b>Acer Peripherals, Inc.</b>		ACERVIEW		7134/7154E (DDC. CK1)		SCHEMATICS	
		SIZE	134EVAFC.SGH	FAB	304-C02	DOC. NO.	REV.
DATE :	8/6/1996	Sheet	2	OF	2		
Project Code :	91.77902.001						
Prepared By	Reviewed By					Approved By	