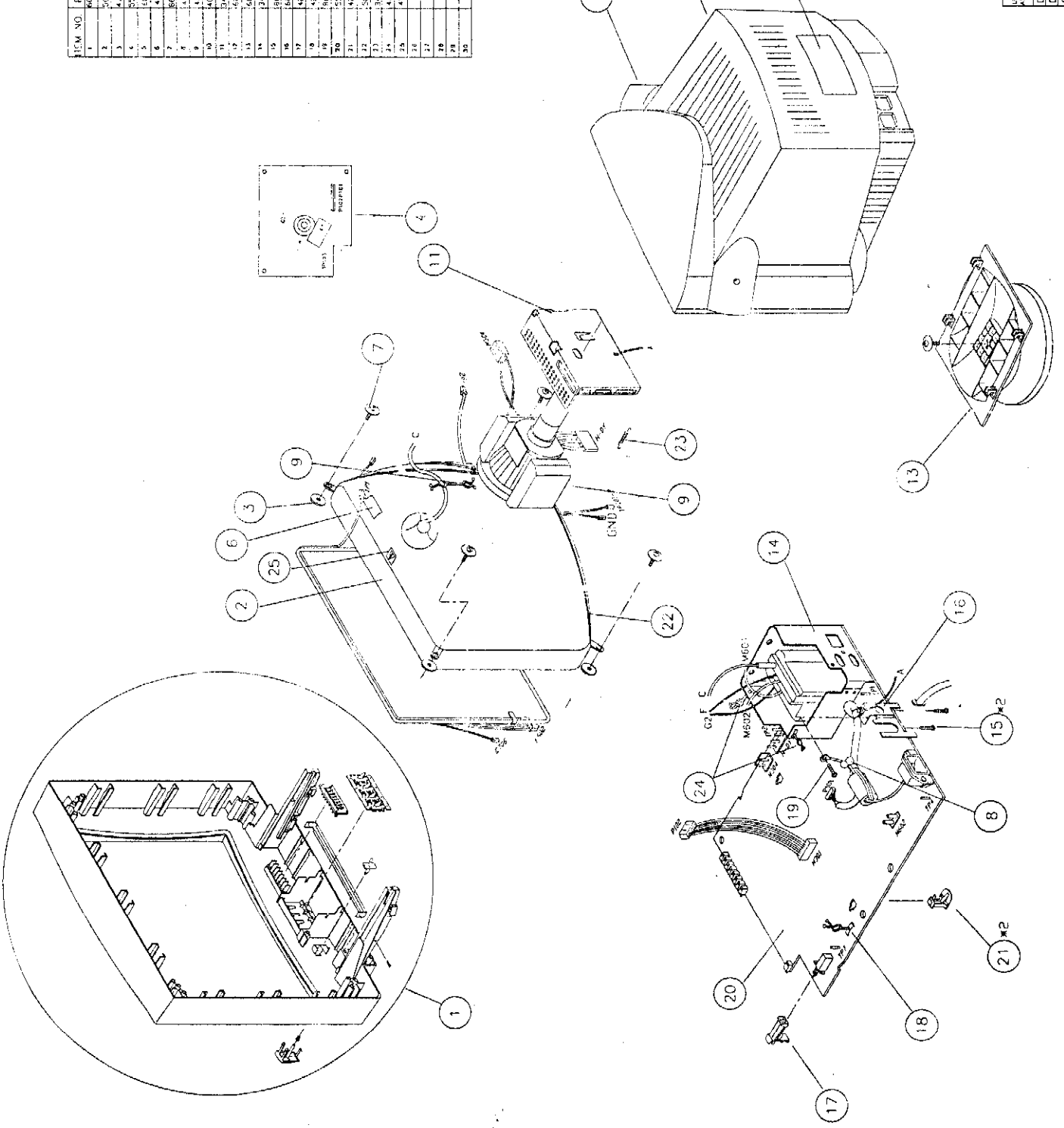
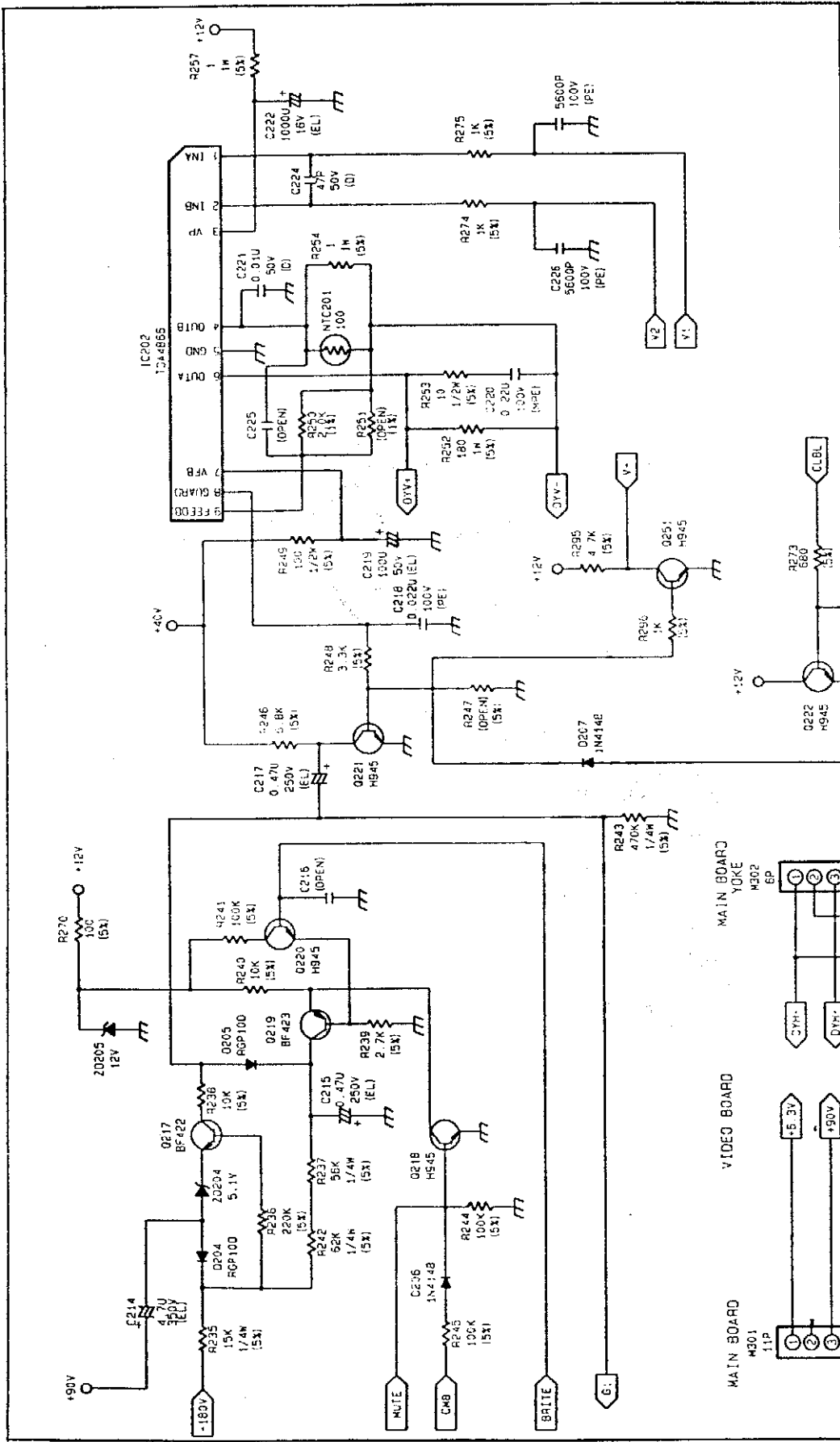


ITEM NO.	PART NO.	DESCRIPTION	QTY
1	467791000	ASSY REZEL	1
2	5655229XXX	CP1 1X	1
3	427401001	SPACER CST	1
4	5579822XXX	PEB BR LSI	2
5	427910001	ASSY SPACER BOX	1
6	457930100	LR. P.V. WIND. NET 203TD	1
7	86590128C	SCREW TAP WASH. 5/8*26L	4
8	4277805001	CLIP A-B	1
9	427780400X	CLIP ZA-ZC V-IP	1
10	467790200X	LABEL SHEET	1
11	3A794G10X	SHIELDING CASE BR	1
12	4677911001	ASSY UPPER CASE	1
13	5677911001	ASSY BASE	1
14	3A7850100X	HEAT SINK F37	2
15	8R6W0424R03	SOCPM TAP-MSMBL	2
16	607791100X	LINK BUS SV	1
17	42798310X	ASSY REAR BRKT	1
18	42798310X	CLIP TAD-35	2
19	86590128C	SCREW 5/8*22 MSMBL	1
20	557793100X	MAIN PCB	1
21	427791100	SPACER PCB	2
22	50796131X	WIRE ASSY HP 80012	1
23	847964500	305 END 154 305300	1
24	427930100	CLIP 154 305300	2
25	457930100	LIB. BRKT 460 730	2
26	457930100	LIB. BRKT 460 730	2
27			
28			
29			
30			



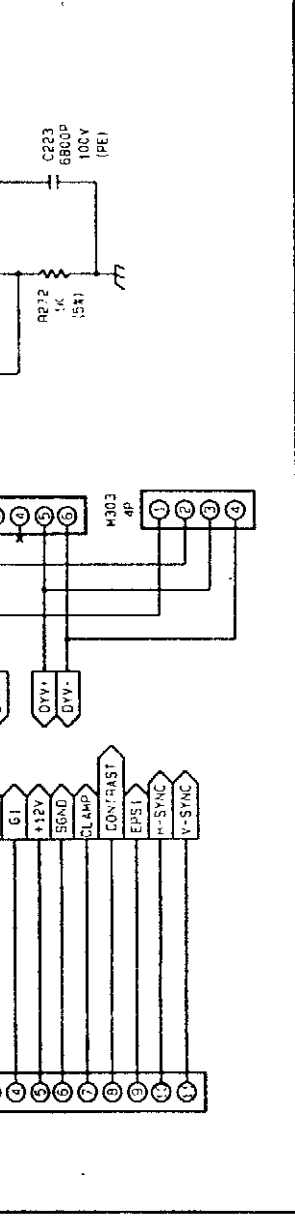
DATE	7/23/86	NAME	ASSEMBLY DRAWING
ASSY	7135C	SCALE	1:1
DRN	J. J. LAD	UNIT MASS	0.00000000
DSN	1	NO. SHEET	1
CHKD	J. J. LAD	DATE	7/23/86
APPD	J. J. LAD	BY	J. J. LAD
		REV	DESCRIPTION
		1	ISSUE
		2	ISSUE
		3	ISSUE
		4	ISSUE
		5	ISSUE
		6	ISSUE
		7	ISSUE
		8	ISSUE
		9	ISSUE
		10	ISSUE
		11	ISSUE
		12	ISSUE
		13	ISSUE
		14	ISSUE
		15	ISSUE
		16	ISSUE
		17	ISSUE
		18	ISSUE
		19	ISSUE
		20	ISSUE
		21	ISSUE
		22	ISSUE
		23	ISSUE
		24	ISSUE
		25	ISSUE
		26	ISSUE
		27	ISSUE
		28	ISSUE
		29	ISSUE
		30	ISSUE

57.77902.20  
Acer Peripherals Inc.



**ACER** **明基電腦股份有限公司**  
**Acer Peripherals, Inc.**

ACERVIEW		7135C		(MAIN CKT)		SCHEMATICS	
SIZE	34EM2AC SCH	FAB	C	Doc.No.	304-C01	REV.	0
DATE	6/28/1995	Sheet	2	OF	5		
Project Code:		91.77902.001					
Prepared By	Reviewed By		Approved By				

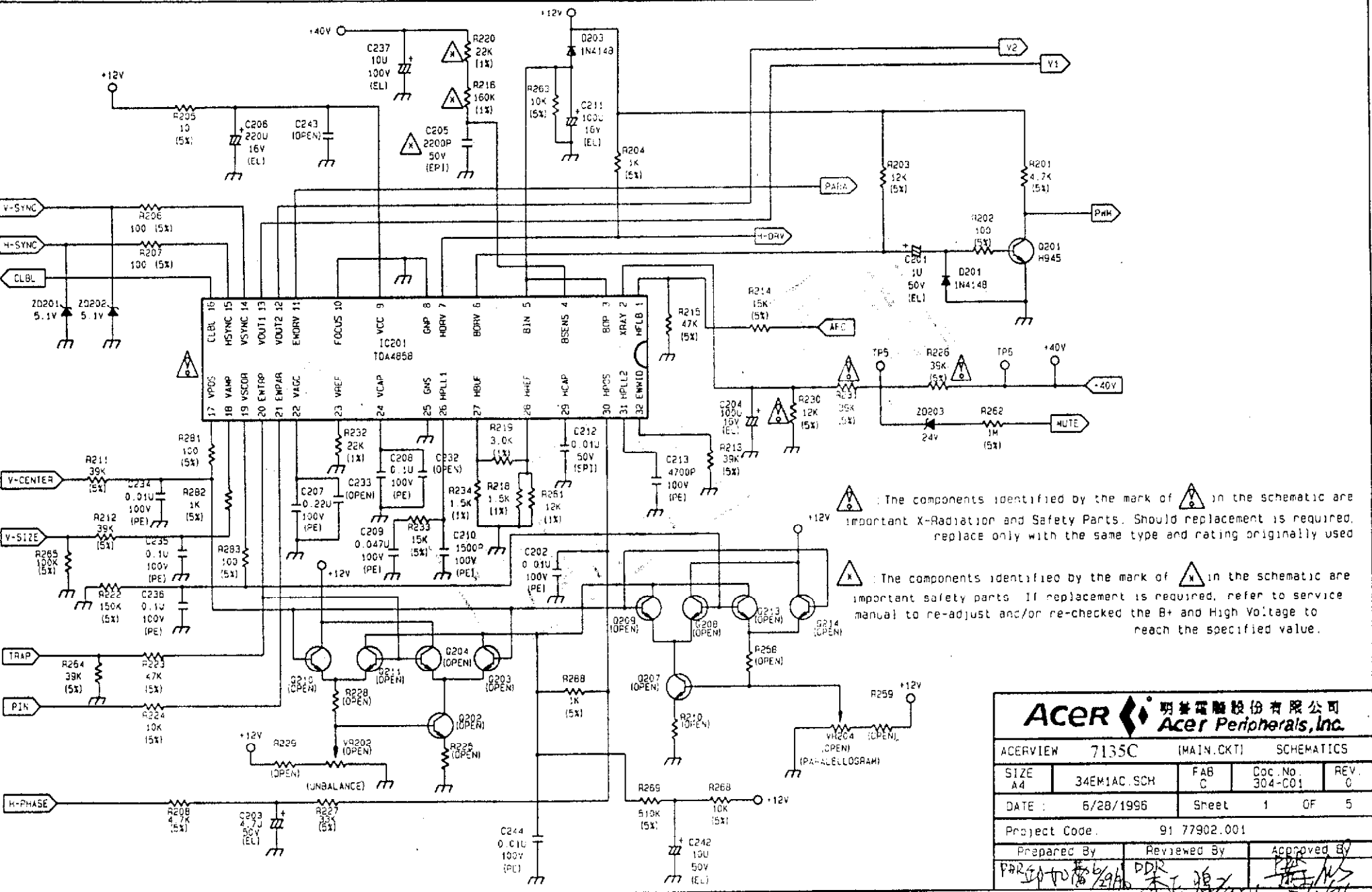


Project Code: 91.77902.001

Prepared By: *[Signature]*

Reviewed By: *[Signature]*

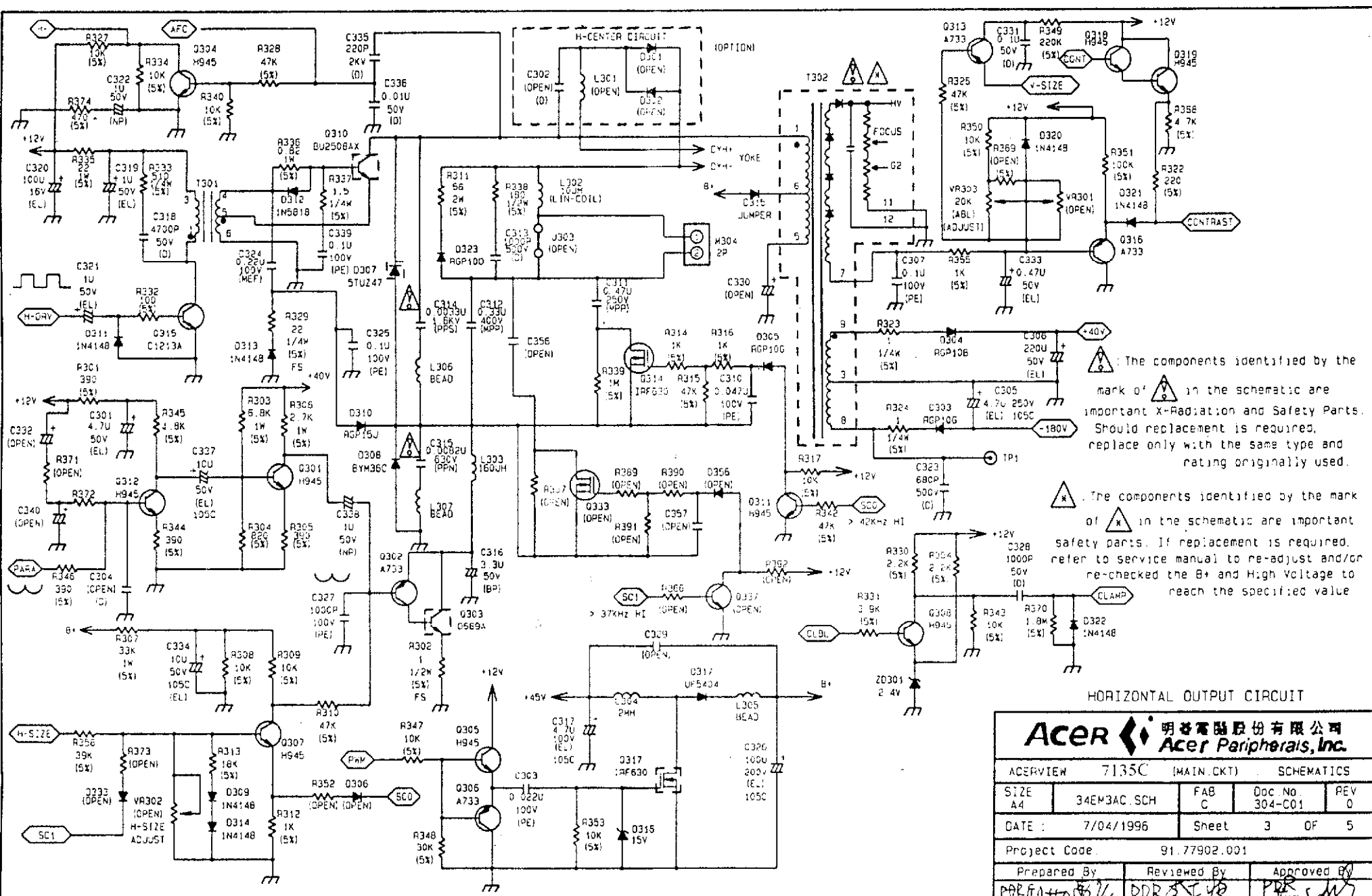
Approved By: *[Signature]*





⚡ : The components identified by the mark of ⚡ in the schematic are important X-Radiation and Safety Parts. Should replacement is required, replace only with the same type and rating originally used

X : The components identified by the mark of X in the schematic are important safety parts. If replacement is required, refer to service manual to re-adjust and/or re-checked the B+ and High Voltage to reach the specified value.


<b>Acer</b> 明基電腦股份有限公司 <b>Acer Peripherals, Inc.</b>				
ACERVIEW 7135C		(MAIN.CKT)		SCHEMATICS
SIZE A4	34EM1AC.SCH	FAB C	Doc.No. 304-C01	REV. 0
DATE: 6/28/1995		Sheet 1 OF 5		
Project Code.		91 77902.001		
Prepared By	Reviewed By	Approved By		
PAR TO 李正鴻	DDR 李正鴻	李正鴻		



The components identified by the mark of  in the schematic are important X-Radiation and Safety Parts. Should replacement is required, replace only with the same type and rating originally used.

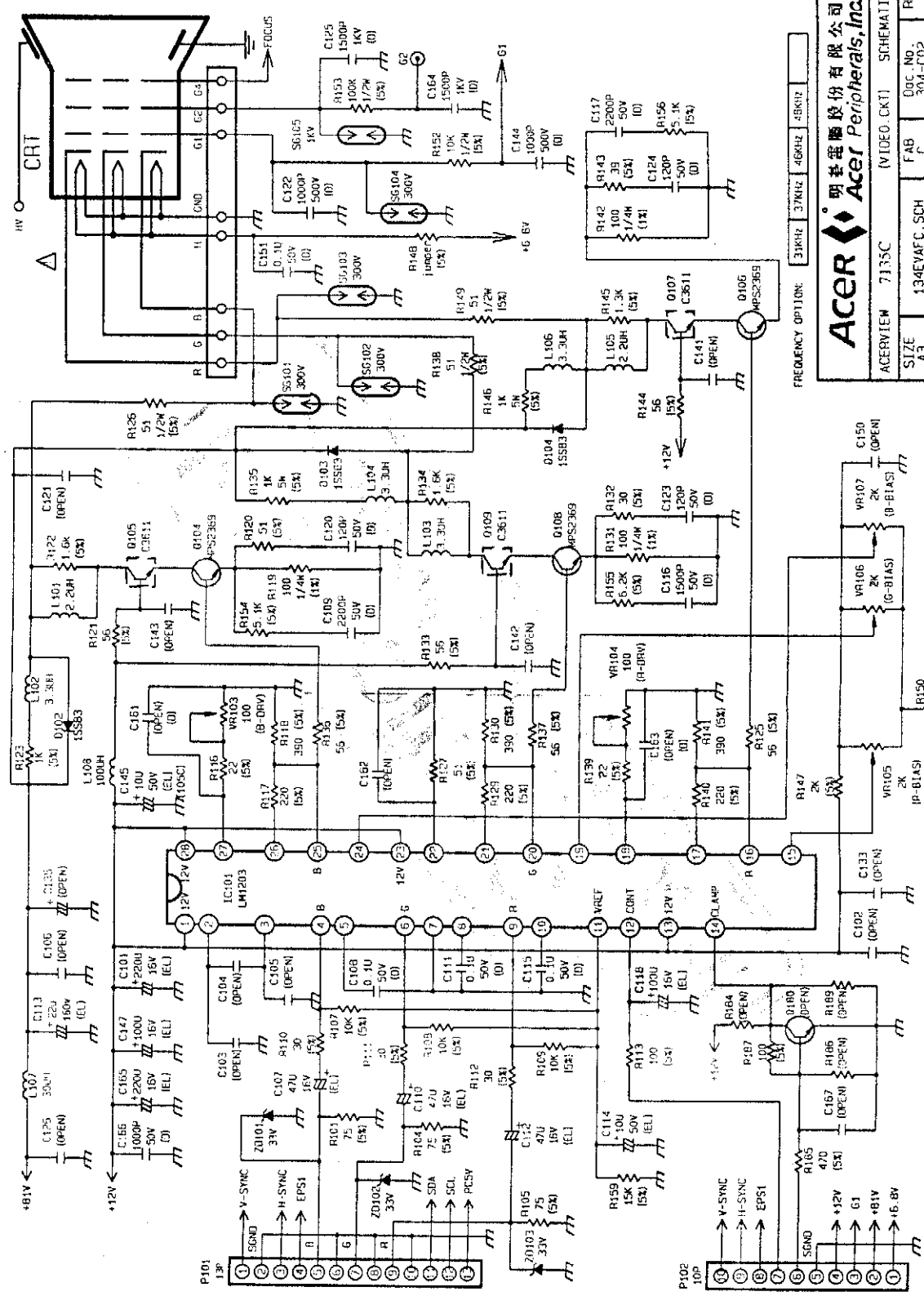
The components identified by the mark of  in the schematic are important safety parts. If replacement is required, refer to service manual to re-adjust and/or re-checked the B+ and High Voltage to reach the specified value

HORIZONTAL OUTPUT CIRCUIT

 <b>明基電腦股份有限公司</b> <b>Acer Peripherals, Inc.</b>				
ACERVIEW 7135C		(MAIN.CKT)	SCHEMATICS	
SIZE A4	34EM3AC.SCH	FAB C	Doc No. 304-C01	REV 0
DATE : 7/04/1996	Sheet 3	OF 5		
Project Code		91.77902.001		
Prepared By	Reviewed By	Approved By		
PAR...	PDR...	PDR...		

7/4/96

△ : The components identified by the mark △ in the schematic are important X-Radiation and Safety Parts. Should replacement is required, replace only with the same type and rating originally used CRT, T302(FBT), R226, R231, IC201, C314, C315, T601.



**ACER** 明基電腦股份有限公司  
**Acer Peripherals, Inc.**

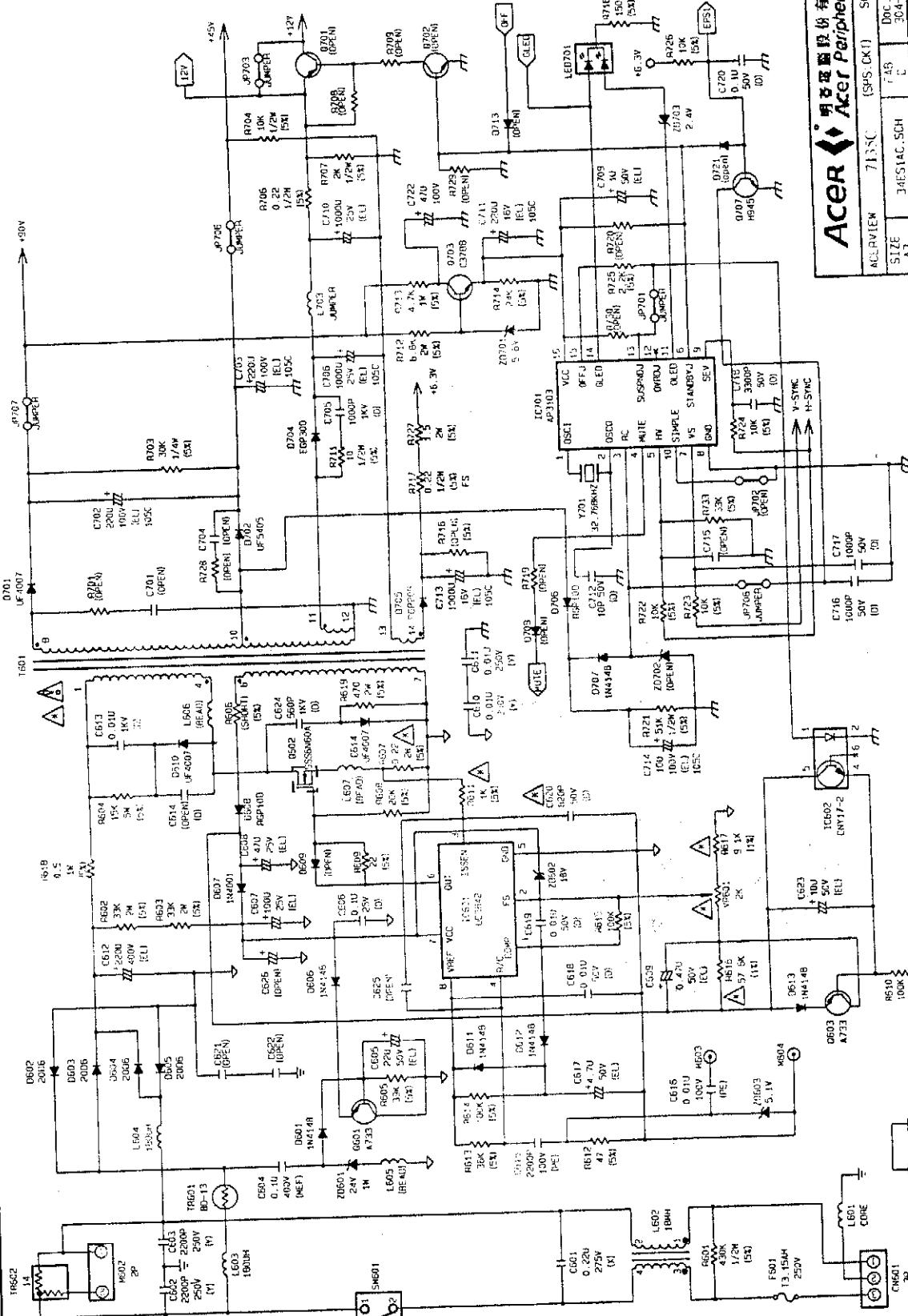
ACERVIEW 7135C (VIDEO CRT) SCHEMATICS

SIZE	A3	FAB	C	Doc. No.	304-C02	REV.	0	
DATE	8/7/1995		Sheet	1	Of	2		
Project Code	91.77902.001							
Prepared By	I. K. S. 8/19/95						Approved By	
Reviewed By								

FREQUENCY OPTION: 31KHz 37KHz 46KHz 56KHz

8/7/96

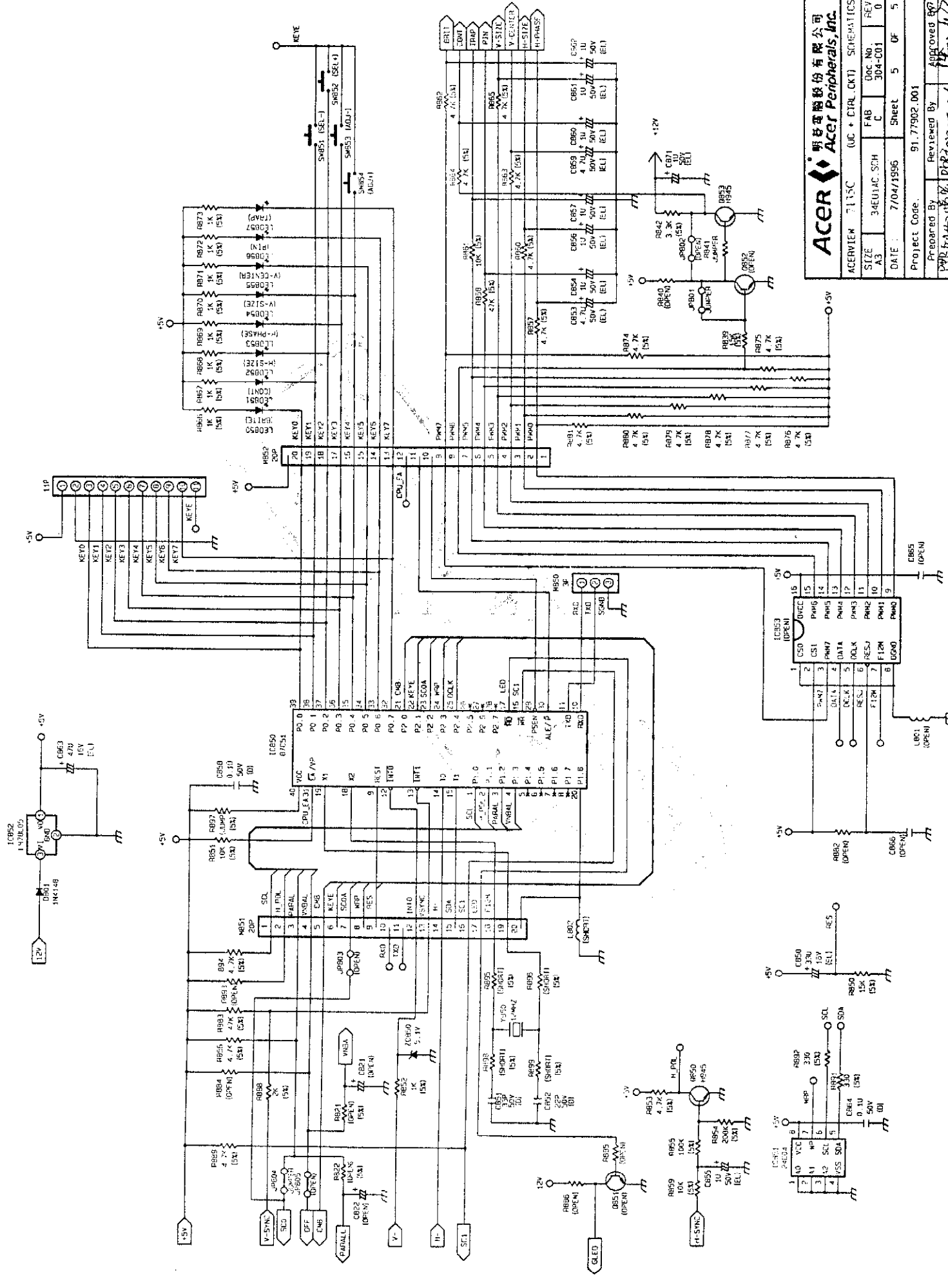
- NOTES:
1. Resistor values are in ohm, K=1,000 ohm, M=1,000,000 ohm
  2. All resistors are 1/8 watt except where otherwise indicated
  3.  $\nabla$   $\rightarrow$   $\nabla$  Represents PCB common ground.



<b>ACER</b> 明基電腦股份有限公司		SCHEMATICS	
MODEL/VIEW	7133C (SPS-DK1)	Doc. No.	304-C01
SIZE	A3	REV.	0
DATE	7/04/1996	Sheet	4 OF 5
Project Code	91.7.762.C01	Reviewed By	Approved By
Prepared By	7/4/96		

⚠ : The components identified by the mark of ⚠ in the schematic are important safety parts. Should replacement is required, refer to service manual to re-adjust and/or re-checked the B+ and High Voltage to reach the specified value.

⚠ : The components identified by the mark of ⚠ in the schematic are important X-radiation and Safety parts. Should replacement is required, replace only with the same type and rating originally used.



**ACER** 明基電腦股份有限公司  
 Acer Peripherals, Inc.

ACERVIEW 7115C (UC + CTRL CKT) SCHEMATICS

SIZE	A3	FAB	C	Doc. No.	REV.
DATE	7/04/1996	Sheet	5	OF	5

Project Code: 91.77902.001  
 Prepared By: [Signature]  
 Reviewed By: [Signature]