

ITEM NO.	PART NO.	DESCRIPTION	QTY
1	41.78300.000	BEARING BALL BEARING	1
2	55.78300.000	WHEEL ASSEMBLY	1
3	42.78300.000	WHEEL ASSEMBLY	1
4	50.78300.000	CONTROL ROD	1
5	42.78310.000	GEAR PUMP-LEFT	1
6	88.78310.000	GEAR PUMP-RIGHT	1
7	42.78300.000	WHEEL ASSEMBLY	1
8	42.78310.000	GEAR PUMP-LEFT	1
9	80.78300.000	GEAR PUMP-RIGHT	1
10	42.78310.000	GEAR PUMP-LEFT	1
11	88.78310.000	GEAR PUMP-RIGHT	1
12	55.78300.000	WHEEL ASSEMBLY	1
13	42.78300.000	WHEEL ASSEMBLY	1
14	42.78310.000	GEAR PUMP-LEFT	1
15	42.78300.000	WHEEL ASSEMBLY	1
16	88.78310.000	GEAR PUMP-RIGHT	1
17	50.78300.000	CONTROL ROD	1
18	42.78310.000	GEAR PUMP-LEFT	1
19	42.78300.000	WHEEL ASSEMBLY	1
20	42.78310.000	GEAR PUMP-LEFT	1
21	55.78300.000	WHEEL ASSEMBLY	1
22	42.78300.000	WHEEL ASSEMBLY	1
23	42.78310.000	GEAR PUMP-LEFT	1
24	88.78310.000	GEAR PUMP-RIGHT	1
25	42.78300.000	WHEEL ASSEMBLY	1
26	42.78310.000	GEAR PUMP-LEFT	1
27	80.78300.000	GEAR PUMP-RIGHT	1
28	42.78300.000	WHEEL ASSEMBLY	1
29	88.78310.000	GEAR PUMP-RIGHT	1
30	42.78310.000	GEAR PUMP-LEFT	1
31	88.78310.000	GEAR PUMP-RIGHT	1
32	42.78300.000	WHEEL ASSEMBLY	1
33	42.78310.000	GEAR PUMP-LEFT	1
34	88.78310.000	GEAR PUMP-RIGHT	1
35	42.78300.000	WHEEL ASSEMBLY	1
36	42.78310.000	GEAR PUMP-LEFT	1
37	88.78310.000	GEAR PUMP-RIGHT	1
38	42.78300.000	WHEEL ASSEMBLY	1
39	42.78310.000	GEAR PUMP-LEFT	1
40	88.78310.000	GEAR PUMP-RIGHT	1
41	42.78300.000	WHEEL ASSEMBLY	1
42	42.78310.000	GEAR PUMP-LEFT	1
43	88.78310.000	GEAR PUMP-RIGHT	1
44	42.78300.000	WHEEL ASSEMBLY	1
45	42.78310.000	GEAR PUMP-LEFT	1
46	88.78310.000	GEAR PUMP-RIGHT	1
47	42.78300.000	WHEEL ASSEMBLY	1
48	42.78310.000	GEAR PUMP-LEFT	1
49	88.78310.000	GEAR PUMP-RIGHT	1

REV	DESCRIPTION	DATE
1	ISSUED FOR PRODUCTION	07/78402.001
2	REVISED	
3		
4		
5		
6		
7		
8		
9		
10		
11		
12		
13		
14		
15		

DATE	7/13/47
BY	W.A.C.
CHKD	S.F.Y.
APPD	W.A.C.
REV	1
REV	2
REV	3
REV	4
REV	5
REV	6
REV	7
REV	8
REV	9
REV	10
REV	11
REV	12
REV	13
REV	14
REV	15

REV	DESCRIPTION	DATE
1	ISSUED FOR PRODUCTION	07/78402.001
2	REVISED	
3		
4		
5		
6		
7		
8		
9		
10		
11		
12		
13		
14		
15		

REV	DESCRIPTION	DATE
1	ISSUED FOR PRODUCTION	07/78402.001
2	REVISED	
3		
4		
5		
6		
7		
8		
9		
10		
11		
12		
13		
14		
15		

REV	DESCRIPTION	DATE
1	ISSUED FOR PRODUCTION	07/78402.001
2	REVISED	
3		
4		
5		
6		
7		
8		
9		
10		
11		
12		
13		
14		
15		

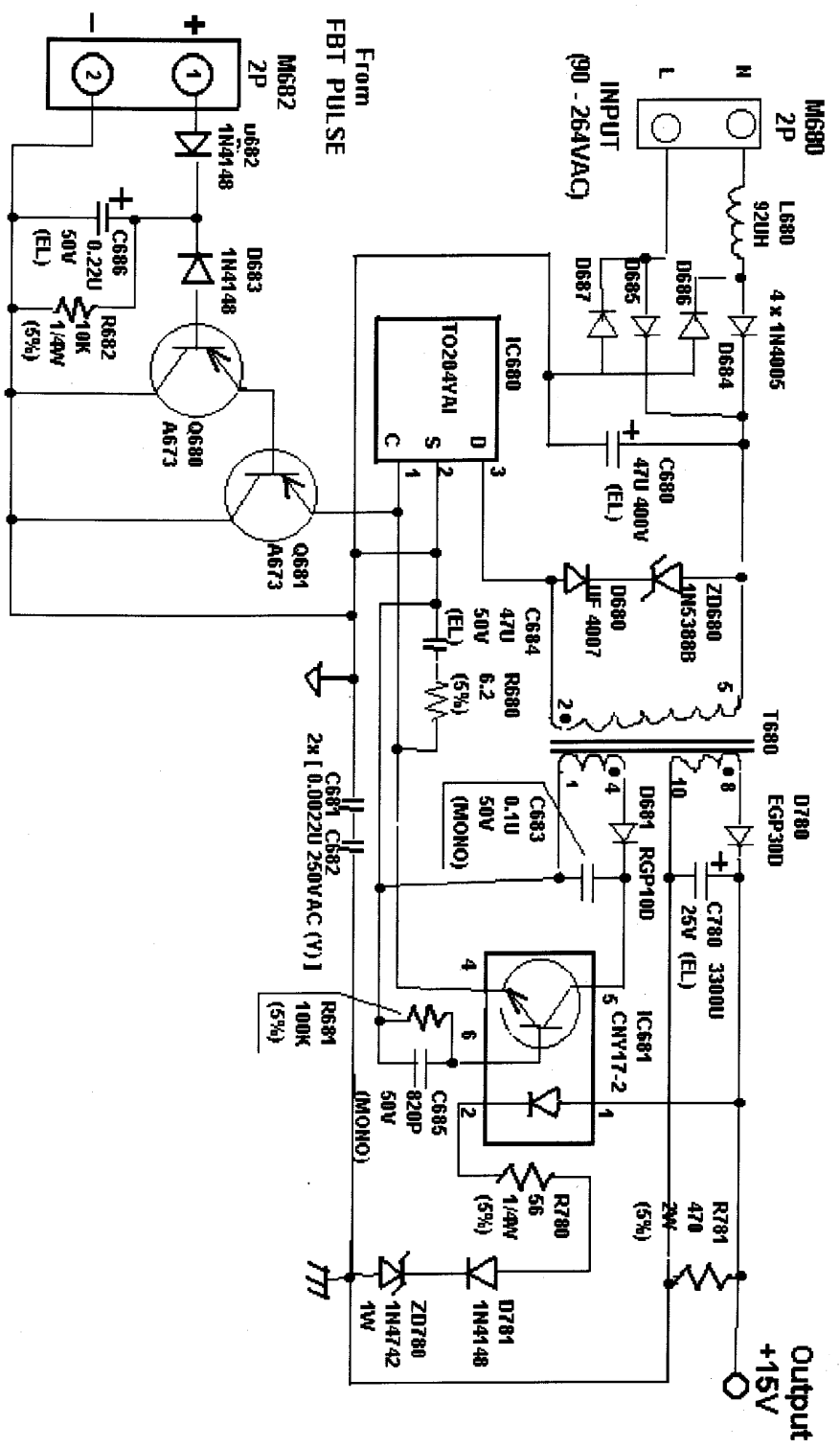
REV	DESCRIPTION	DATE
1	ISSUED FOR PRODUCTION	07/78402.001
2	REVISED	
3		
4		
5		
6		
7		
8		
9		
10		
11		
12		
13		
14		
15		

REV	DESCRIPTION	DATE
1	ISSUED FOR PRODUCTION	07/78402.001
2	REVISED	
3		
4		
5		
6		
7		
8		
9		
10		
11		
12		
13		
14		
15		

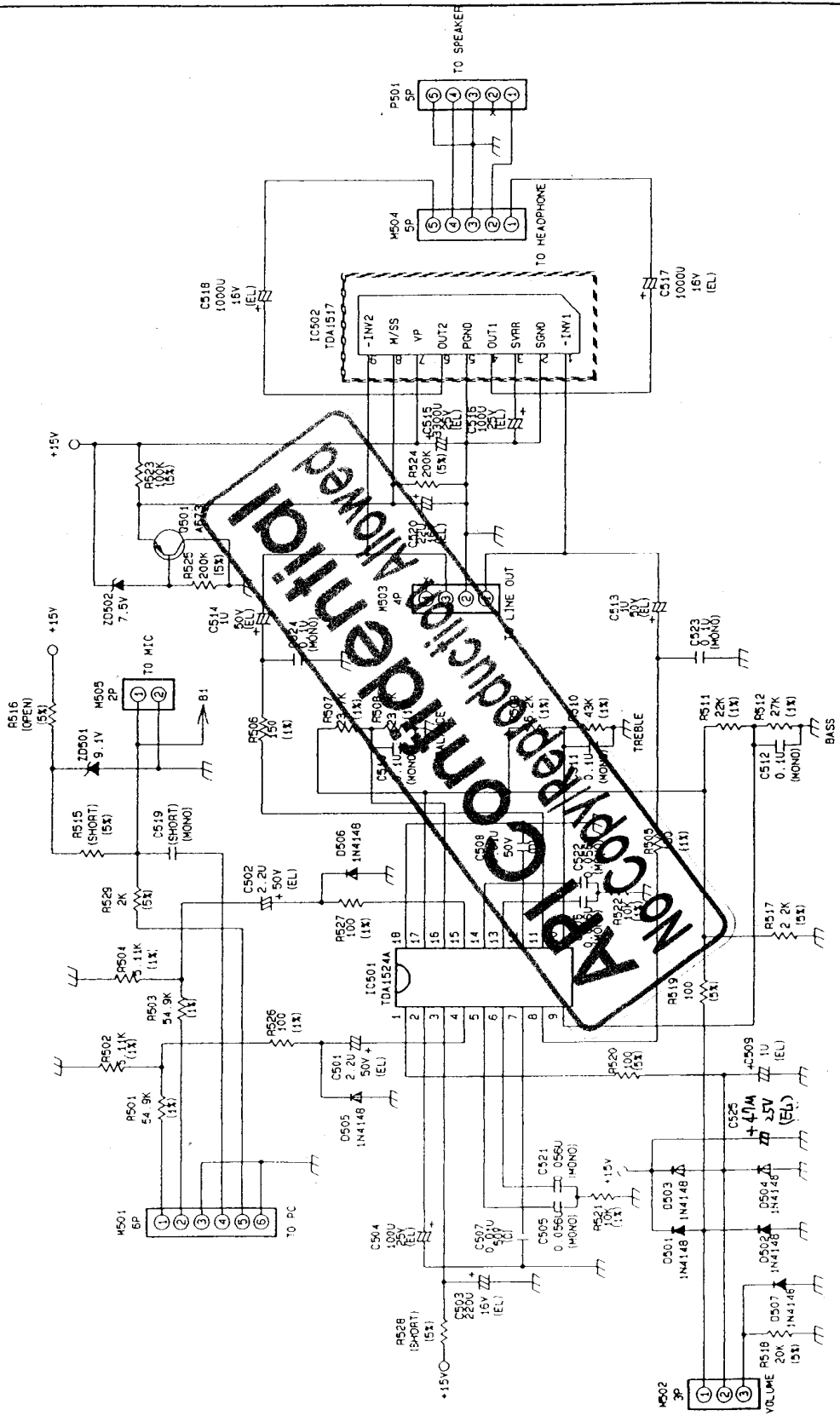
REV	DESCRIPTION	DATE
1	ISSUED FOR PRODUCTION	07/78402.001
2	REVISED	
3		
4		
5		
6		
7		
8		
9		
10		
11		
12		
13		
14		
15		

REV	DESCRIPTION	DATE
1	ISSUED FOR PRODUCTION	07/78402.001
2	REVISED	
3		
4		
5		
6		
7		
8		
9		
10		
11		
12		
13		
14		
15		

REV	DESCRIPTION	DATE
1	ISSUED FOR PRODUCTION	07/78402.001
2	REVISED	
3		
4		
5		
6		
7		
8		
9		
10		
11		
12		
13		
14		
15		

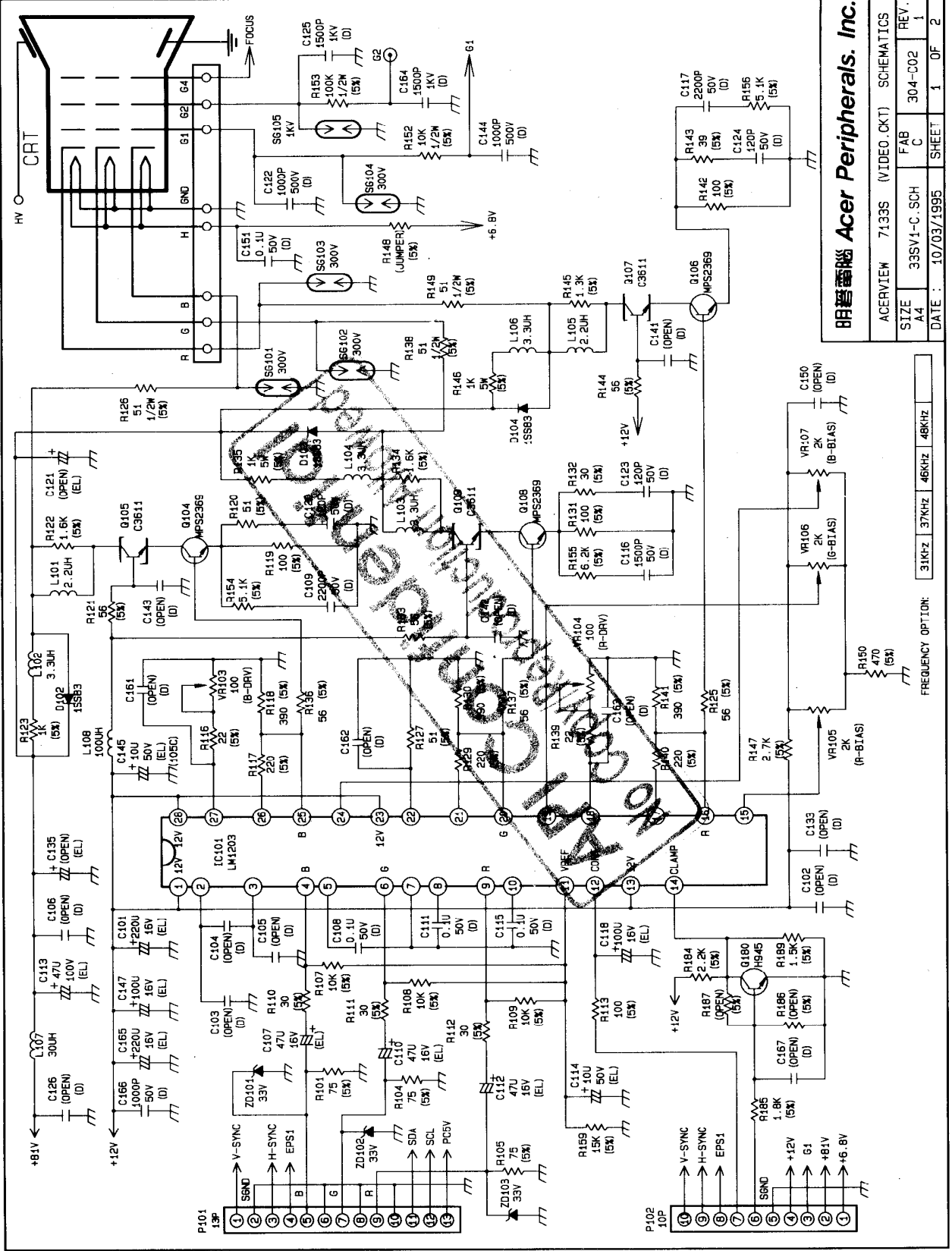


Audio Power Board

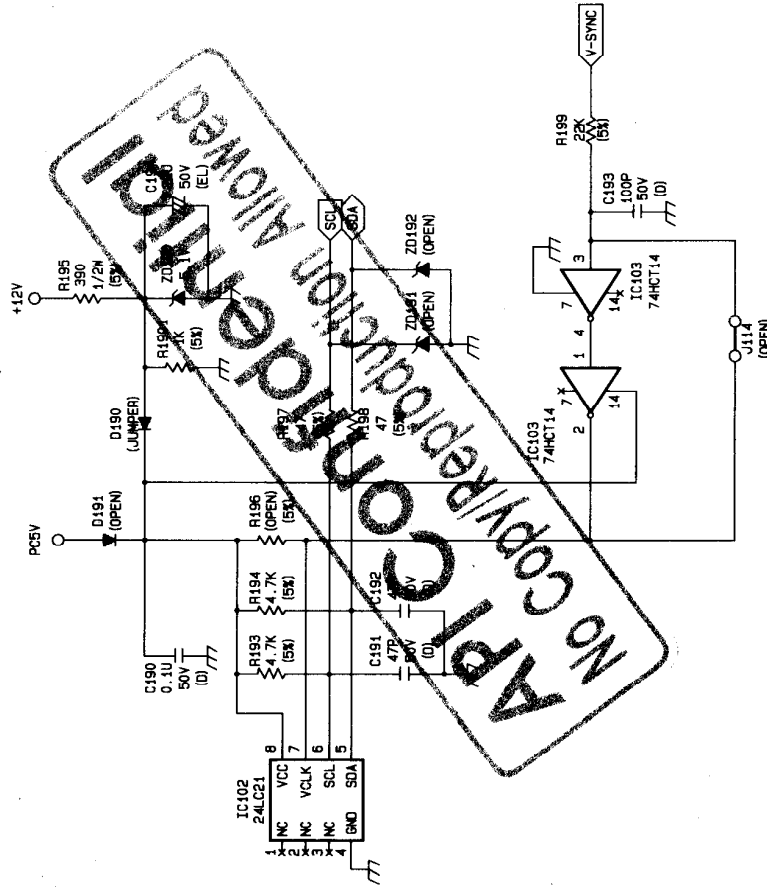


ACER 明基電腦股份有限公司
Acer Peripherals, Inc.

ACERVIEW 7133S/7155S/7134TS/71761S (AUDIO, BD) SCHEMATICS			
SIZE	33SAU1-D.SCH	FAB	REV.
A4	D	0	5
304-C03			

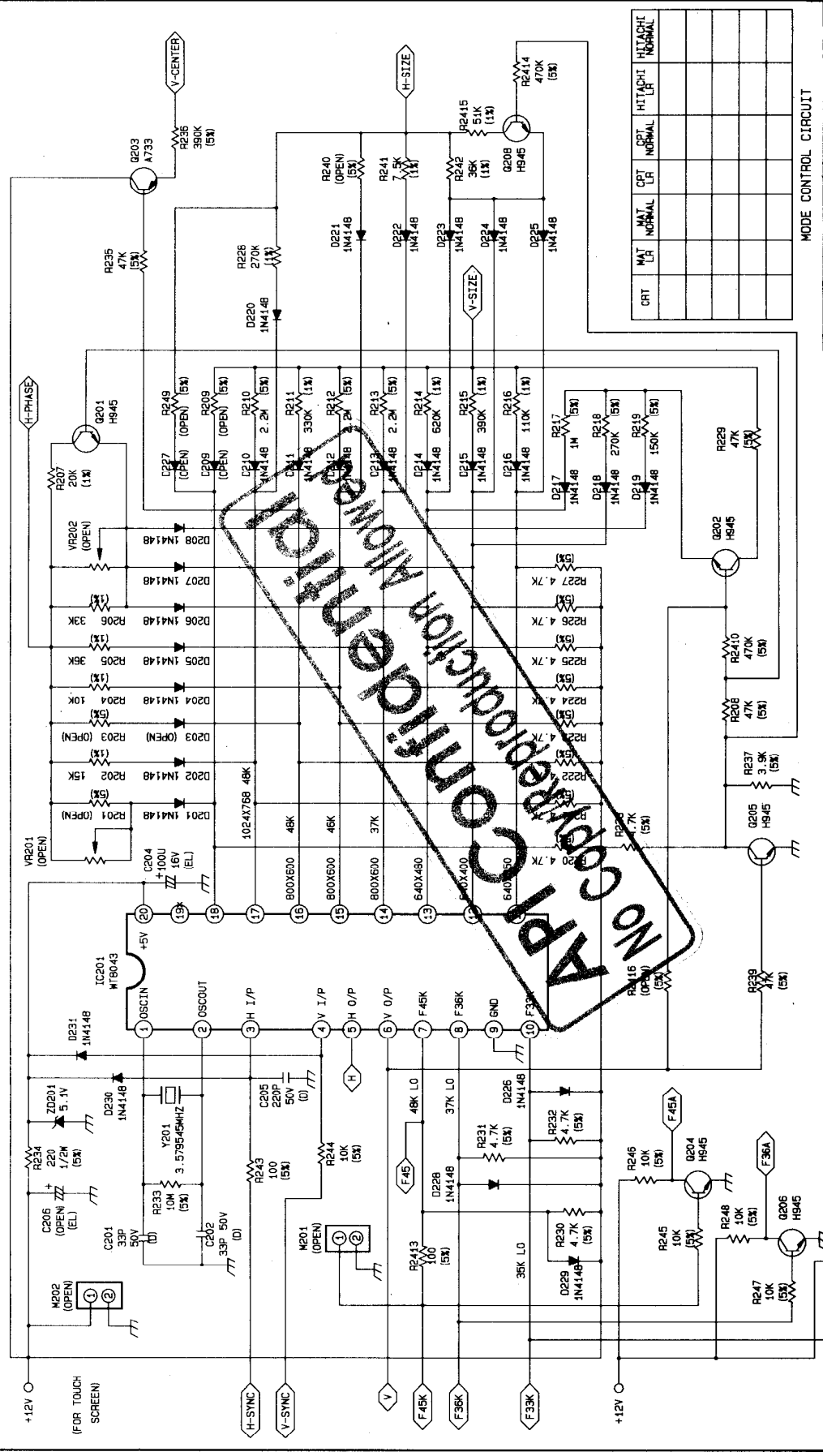


FREQUENCY OPTION:
 31KHz 37KHz 46KHz 48KHz



No Copy/Reproduction Allowed
 APIC Confidential

明華電腦 Acer Peripherals, Inc.	
ACERVIEW 7133S (DDC.CKT)	SCHEMATICS
SIZE A4	REV. 1
DATE : 10/03/1995	SHEET 2 OF 2
33SV2-C.SCH	FAB C 304-C02



MODE CONTROL CIRCUIT

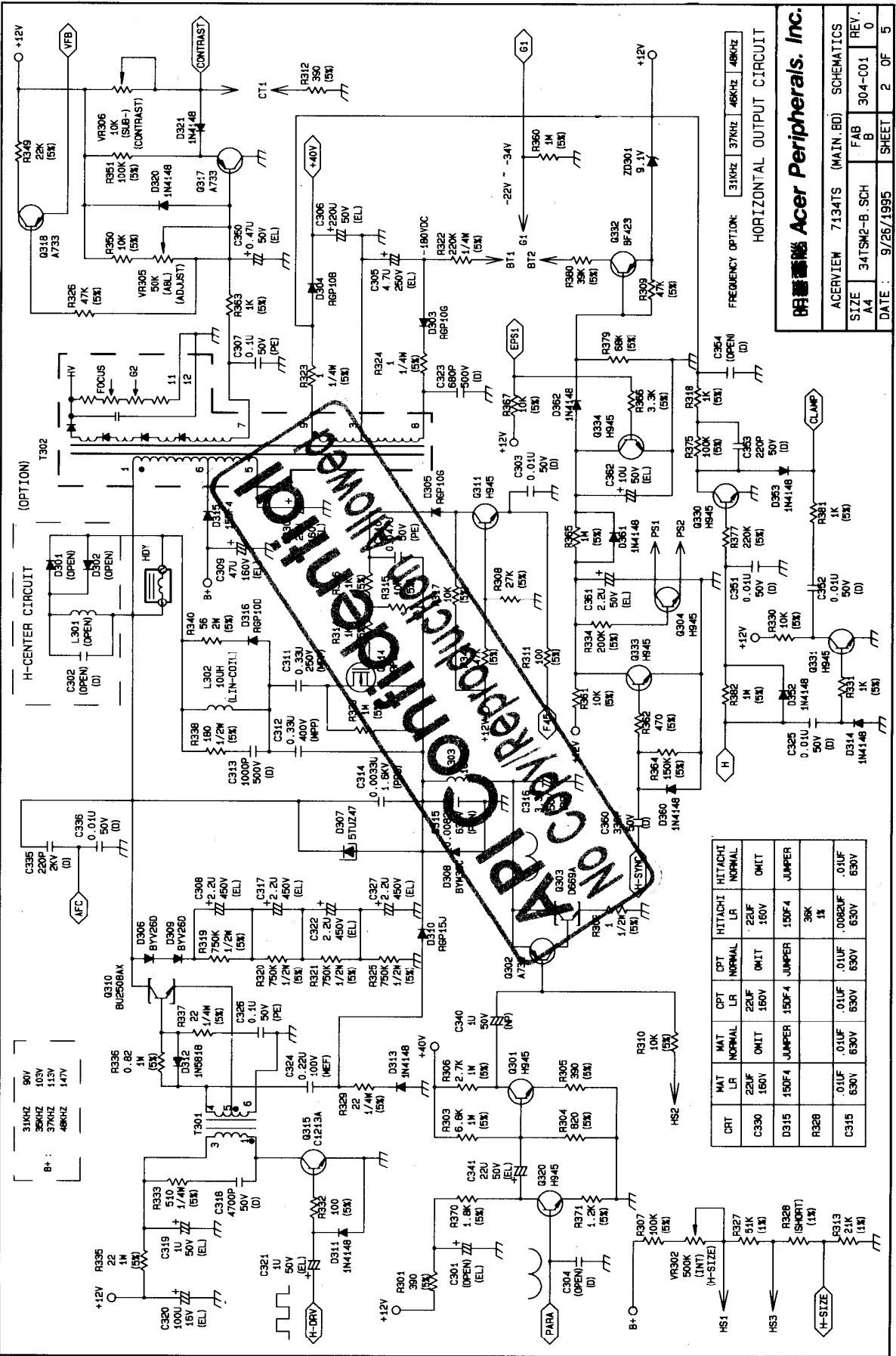
CRT	MAT	MAT	CPT	CPT	HITACHI	HITACHI
	CR	NORMAL	CR	NORMAL	CR	NORMAL

FREQUENCY OPTION

Hb	F33K	F36K	F46K
Hb < 36KHz	1	1	1
36KHz < Hb < 36KHz	0	1	1
36KHz < Hb < 48KHz	0	0	1
48KHz < Hb	0	0	0

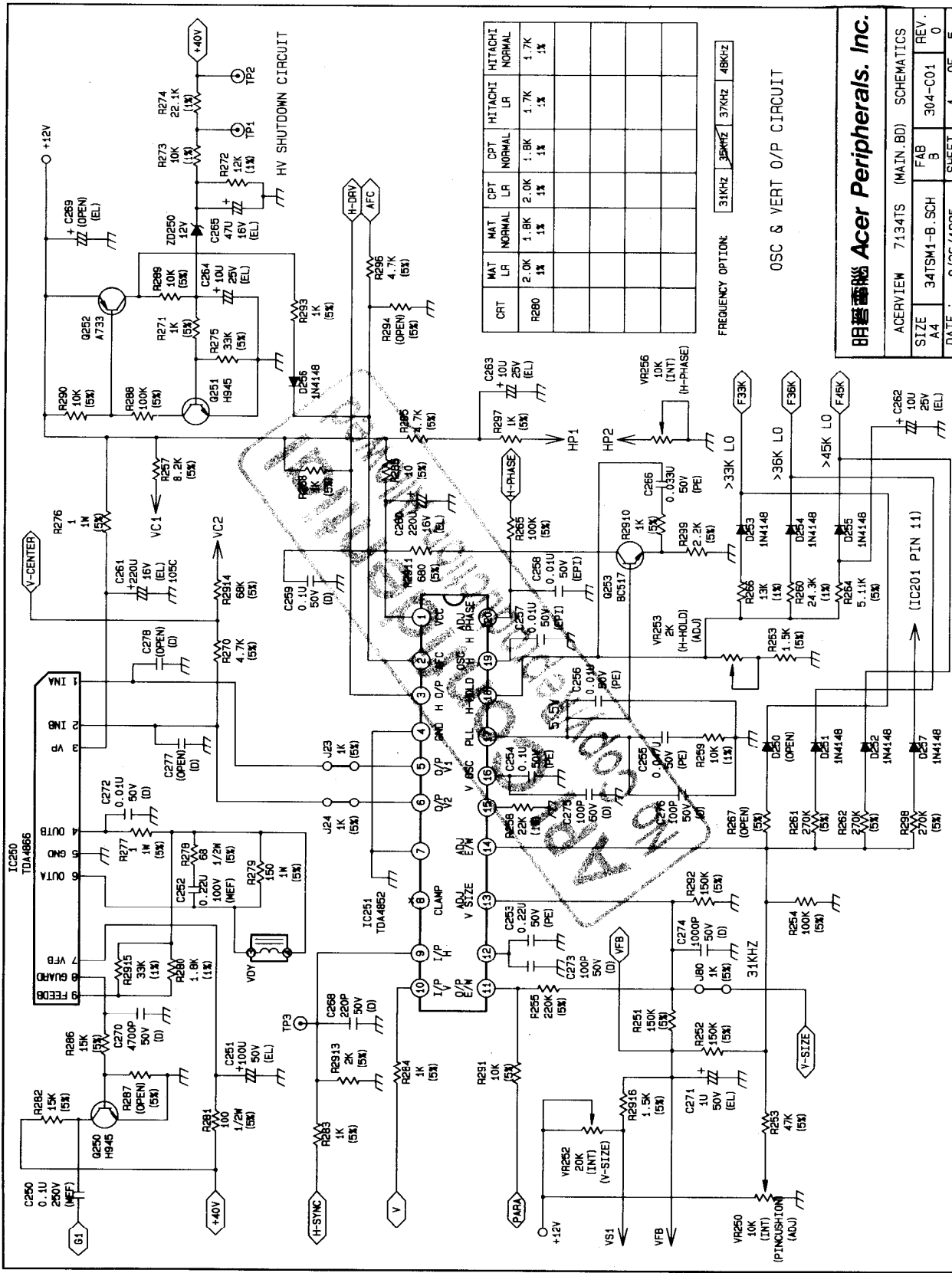
FREQUENCY OPTION

31KHz	37KHz	46KHz	48KHz
-------	-------	-------	-------



	MAT		OPT		HITACHI	
	LR	NORMAL	LR	NORMAL	LR	NORMAL
C300	22UF	22UF	OMIT	150V	OMIT	OMIT
D315	150F4	JUMPER	150F4	JUMPER	150F4	JUMPER
R328	.01UF	.01UF	.01UF	.01UF	.0082UF	.01UF
C315	50V	50V	50V	50V	50V	50V

FREQUENCY OPTION: 31KHZ 37KHZ 46KHZ 48KHZ
HORIZONTAL OUTPUT CIRCUIT



CRT	MAT	CPT	HITACHI
RE80	2.0K 1%	NORMAL LR	1.7K 1%
	1.8K 1%	NORMAL LR	1.7K 1%
	1.8K 1%	NORMAL LR	1.7K 1%

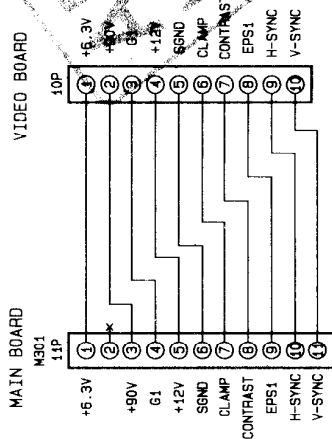
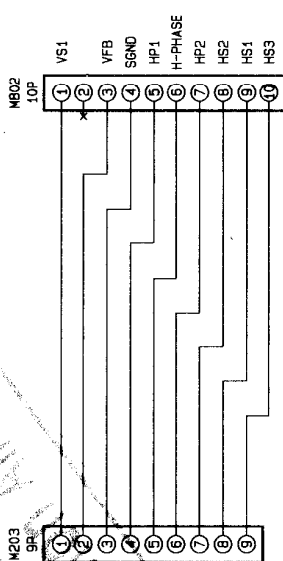
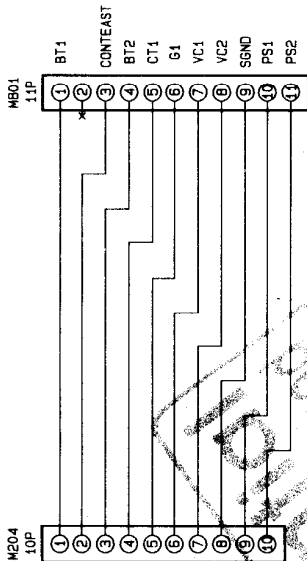
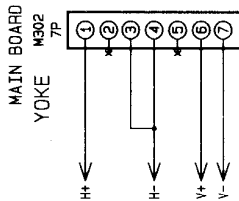
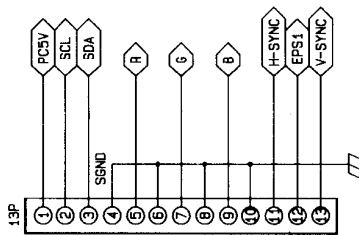
FREQUENCY OPTION: 31KHZ 33KHZ 37KHZ 48KHZ

OSC & VERT O/P CIRCUIT

明基電腦 Acer Peripherals, Inc.

ACRVIEW	7134TS (MAIN.BD)	SCHEMATICS
SIZE	3ATSM1-B.SCH	FAB 5
REV.	A4	304-C01
DATE:	9/25/1995	SHEET 1 OF 5

SIGNAL CABLE



FREQUENCY OPTION:

3.1KHZ	37KHZ	46KHZ	48KHZ
--------	-------	-------	-------

CONNECTOR CIRCUIT

明碁電腦 Acer Peripherals, Inc.

ACERVIEW	7134TS (MAIN.BD)	SCHEMATICS
SIZE A4	34TSM3-B.SCH	FAB B
DATE : 9/26/1995	REV. 0	304-C01
		SHEET 3 OF 5