

## **Circuit Diagrams**

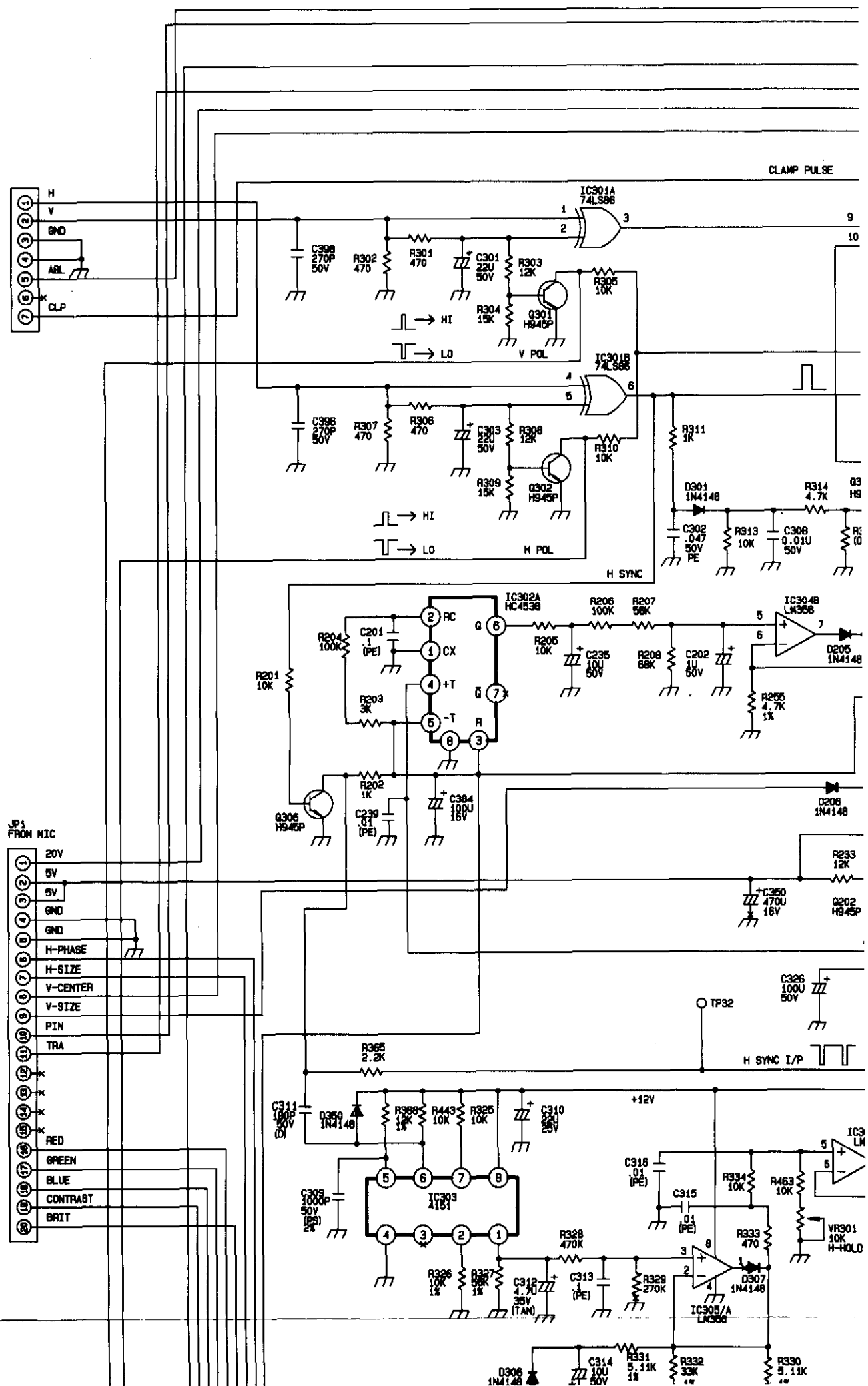
**A.1 Switching Power Supply Circuit**

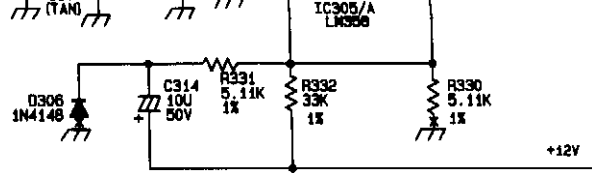
**A.2 Deflection and Controller Circuit**

**A.3 Video Controller Circuit**

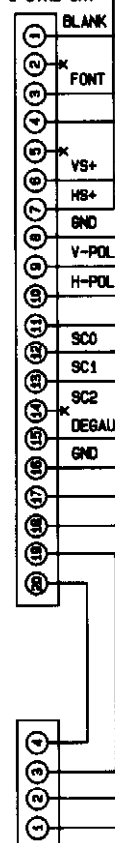
**A.4 OSDP Circuit**

# A.2 Deflection and Controller Circuit

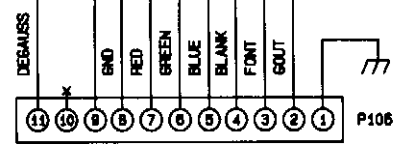




JP2  
FROM U-CTRL CKT



CHANGE MODE BLANKING



TO SPS CKT  
P608

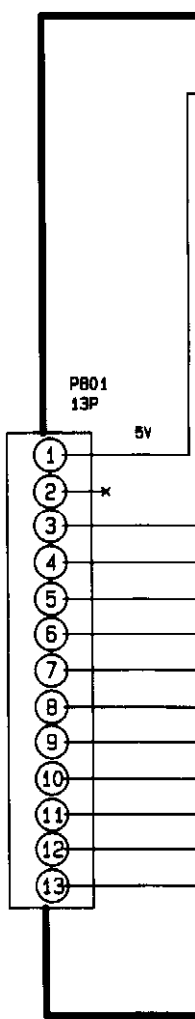
P107

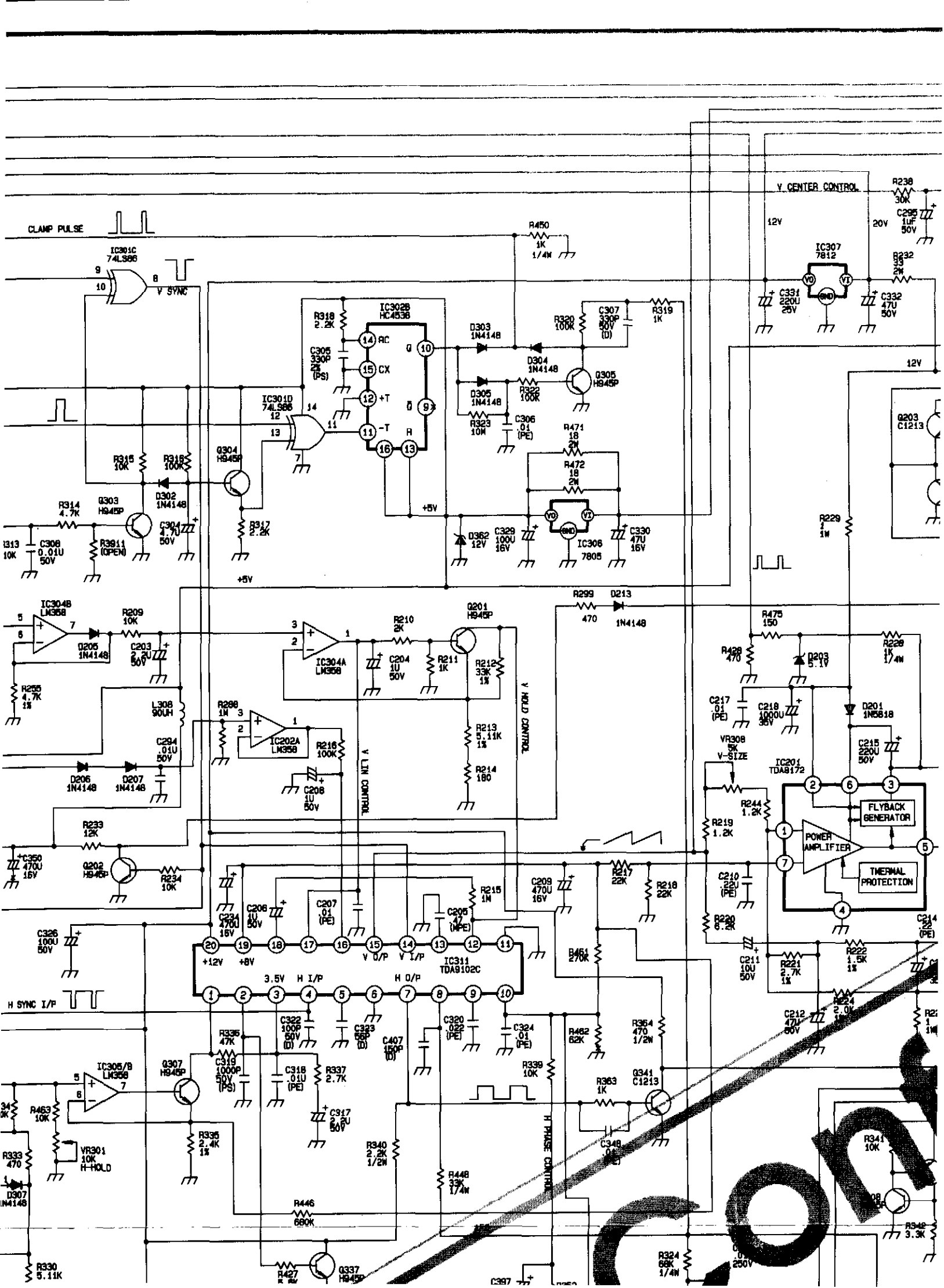
	7076I	7176I
R471	18/2W	18/2W
R472	18/2W	18/2W
L308	90uH	90uH
R423	47K	47K
R236	OMIT	OMIT
R273	120K	120K
R274	82K	82K
Q342	OMIT	29C2655
R476	OMIT	750 1/2W
J218	JUMPER	OMIT
J18	JUMPER	OMIT
E-E	OMIT	JUMPER

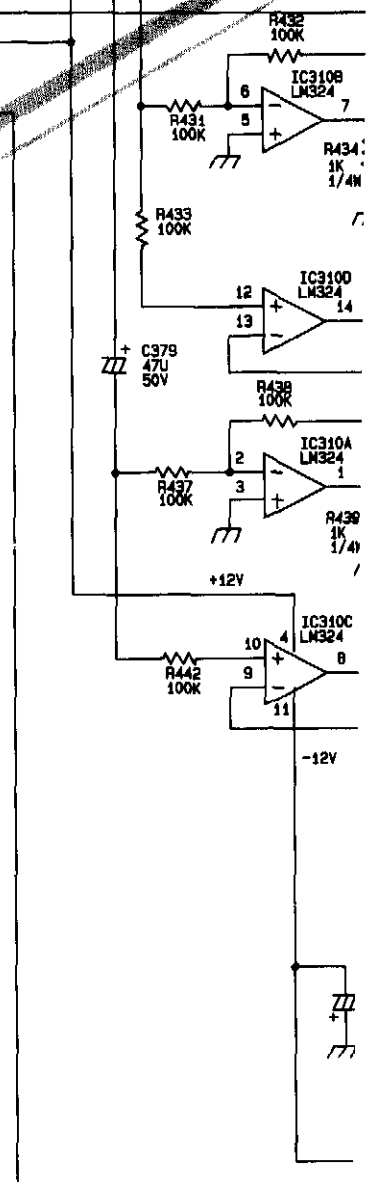
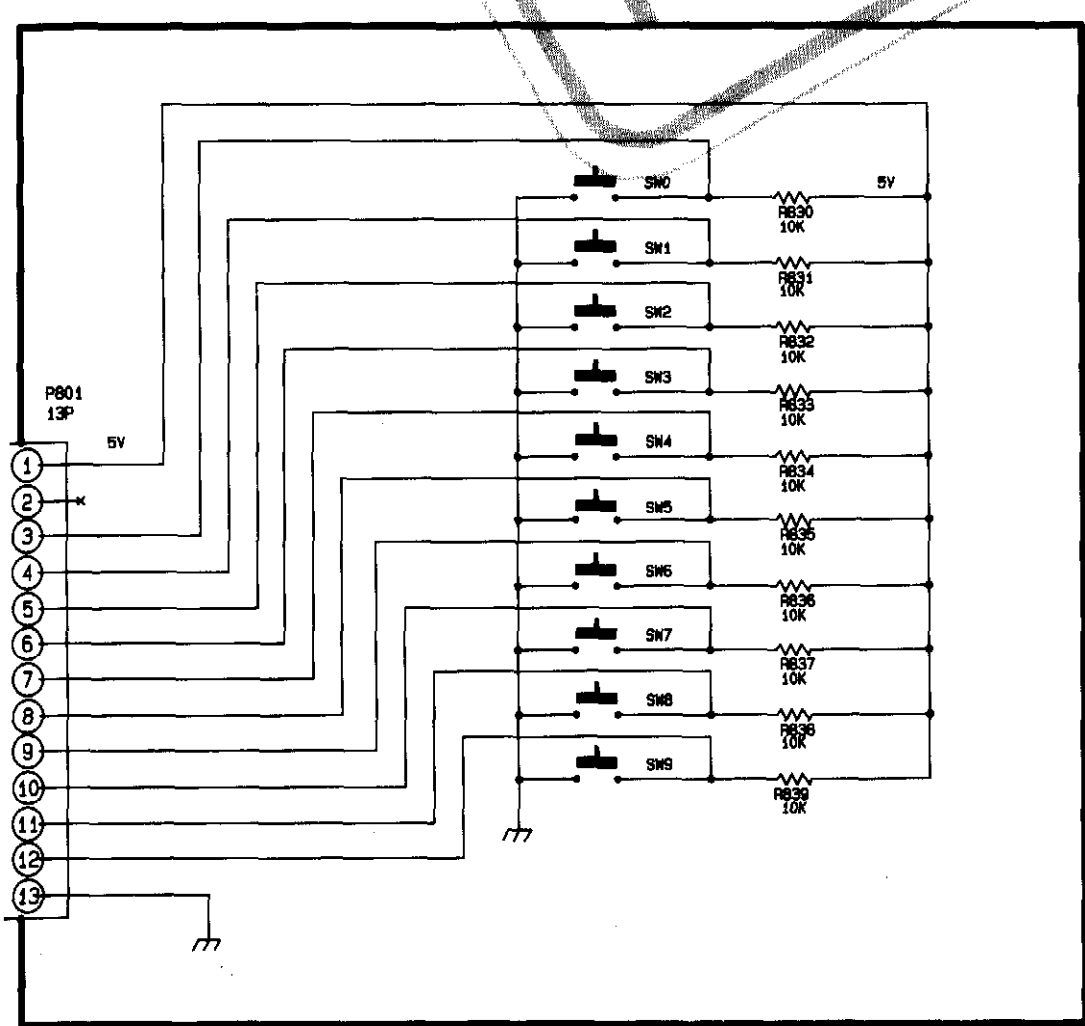
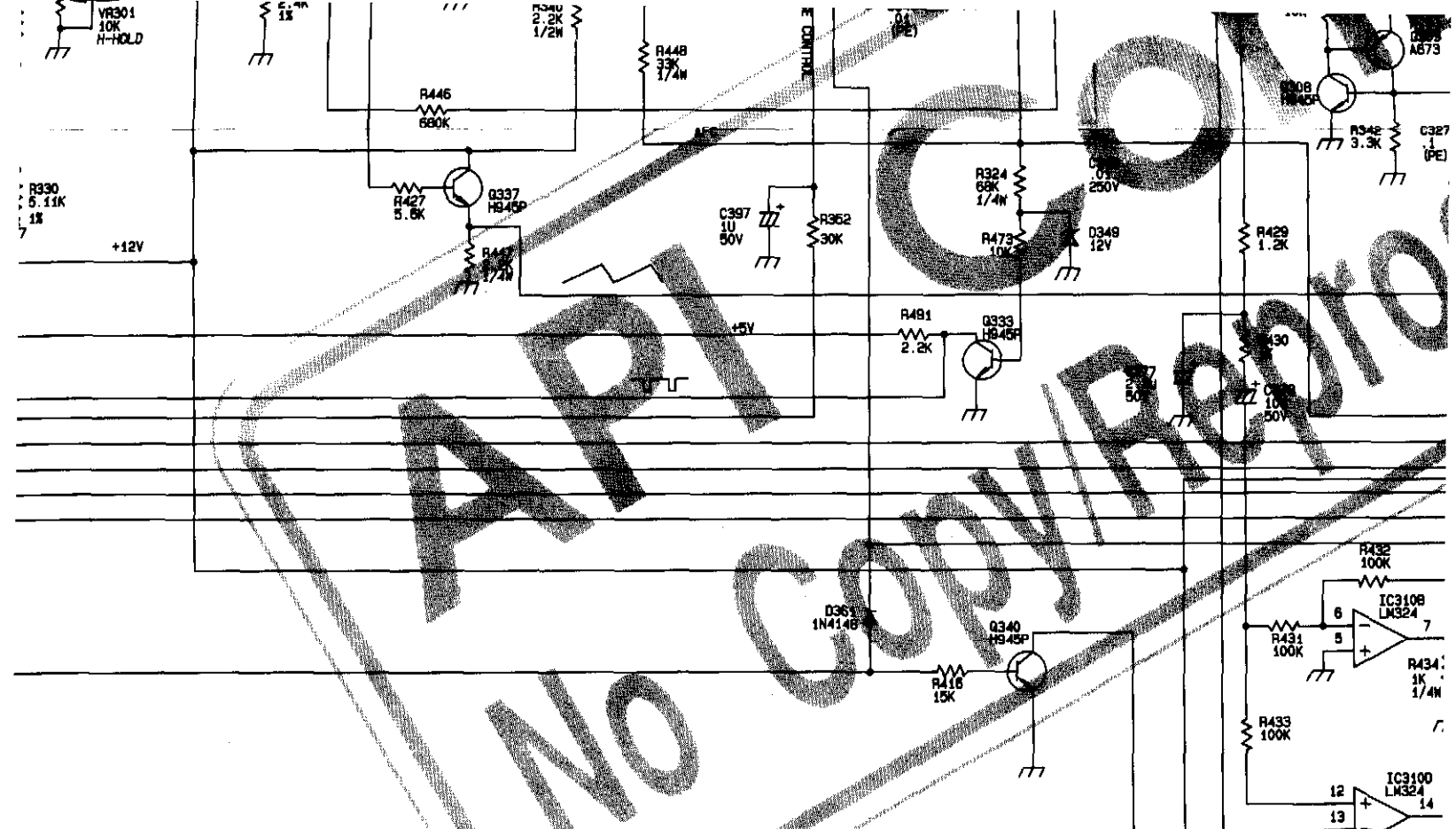
HORI FREQ	SC0	SC1
31K-35K	L	L
37K	H	L
48K	L	H
>56K	H	H

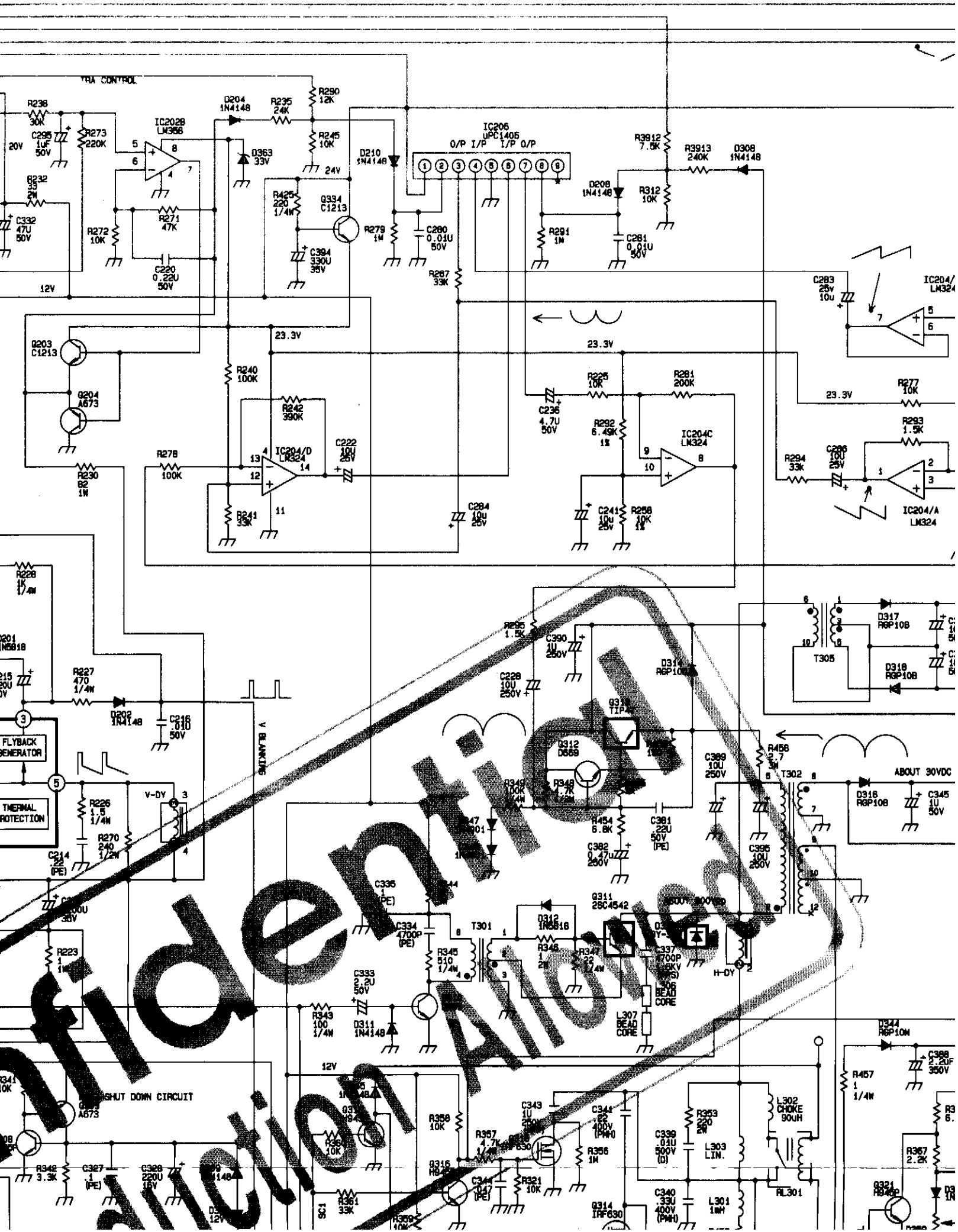
	PANASONIC CRT	HITACHI CRT
IC203	TDA4950	TDA8145

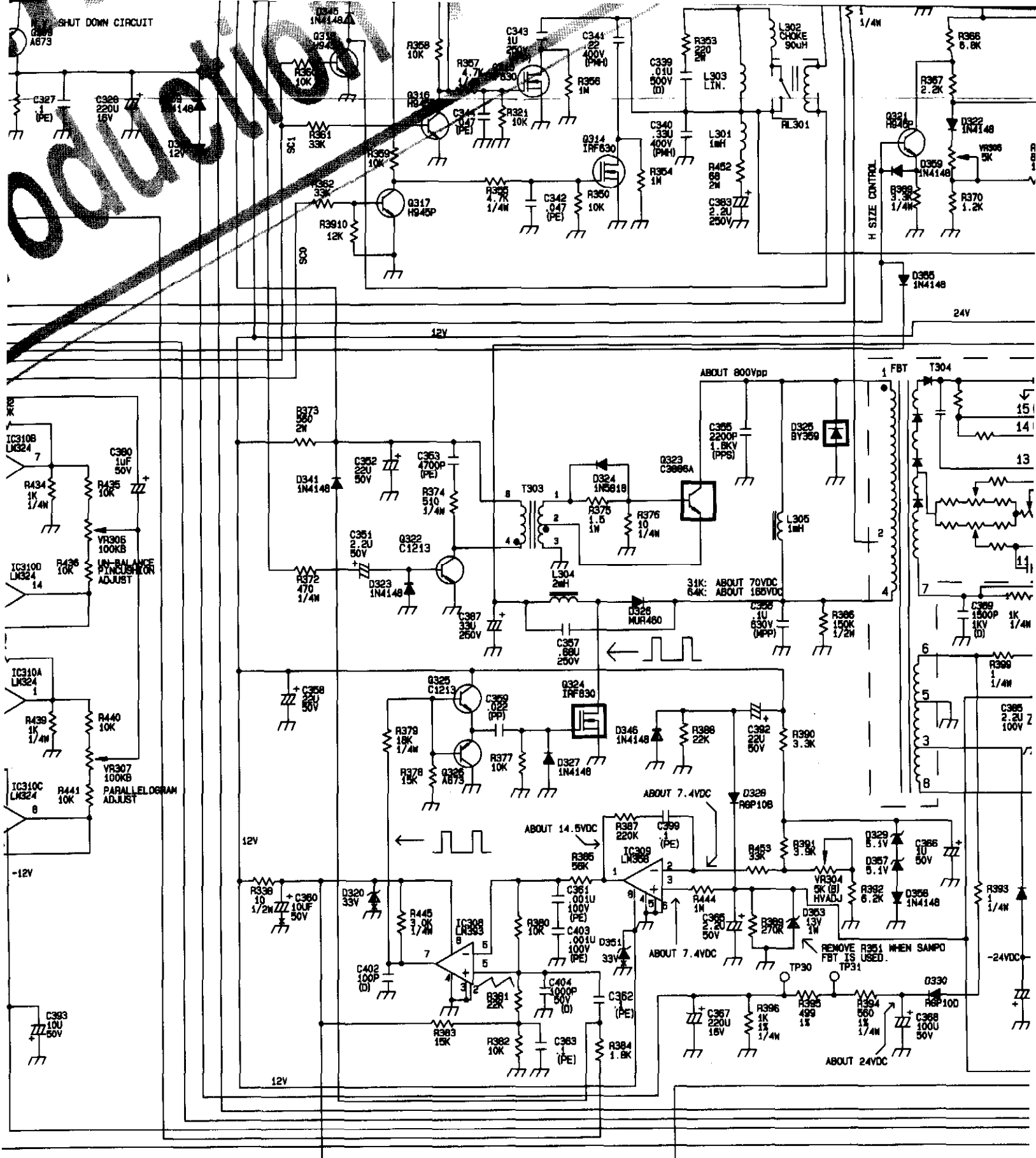
	LIENCHANG FBT	SAMPO FBT
R389	270K	270K
R351	150K	OMIT

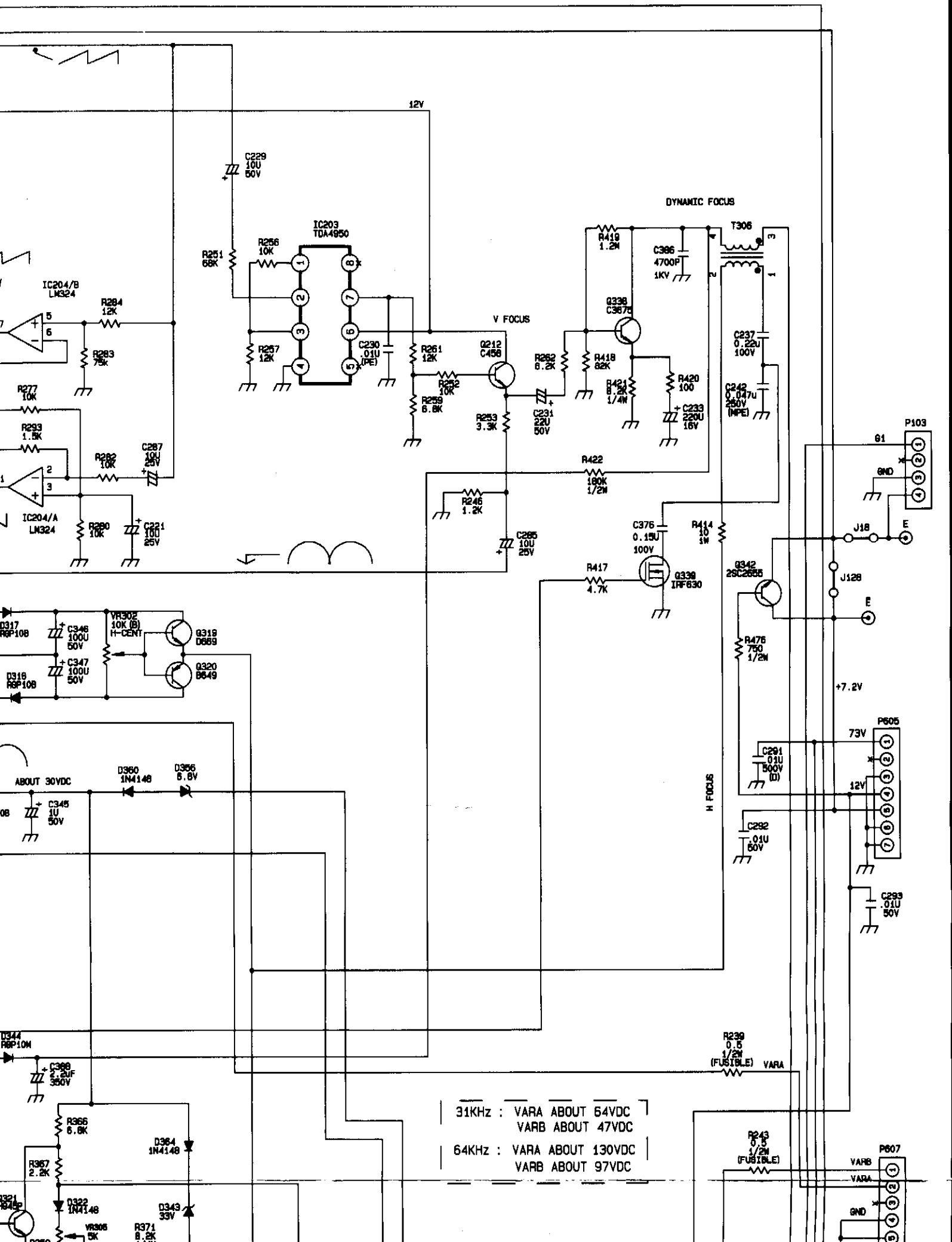






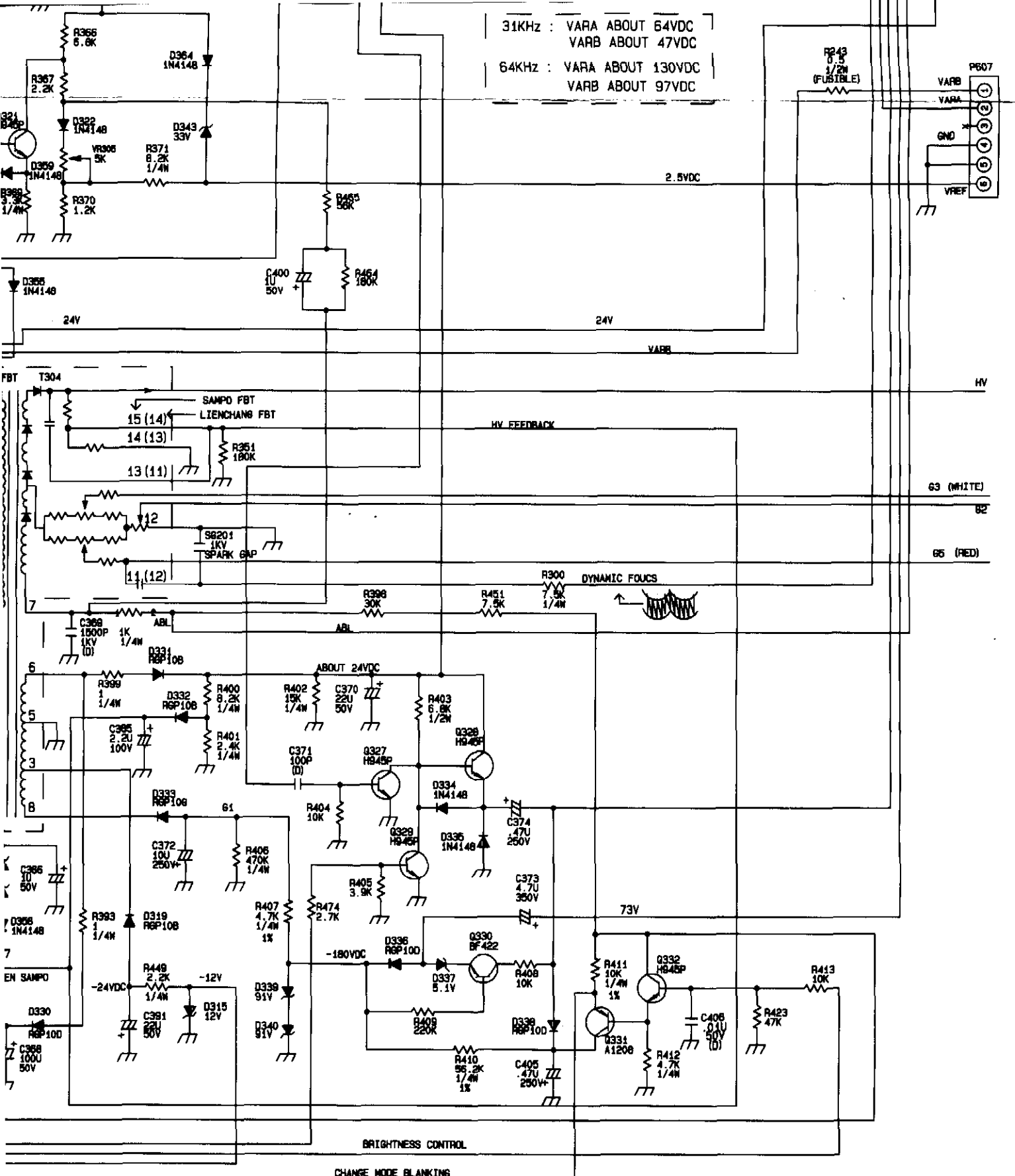






31KHz : VARA ABOUT 64VDC  
 VARB ABOUT 47VDC  
 64KHz : VARA ABOUT 130VDC  
 VARB ABOUT 97VDC



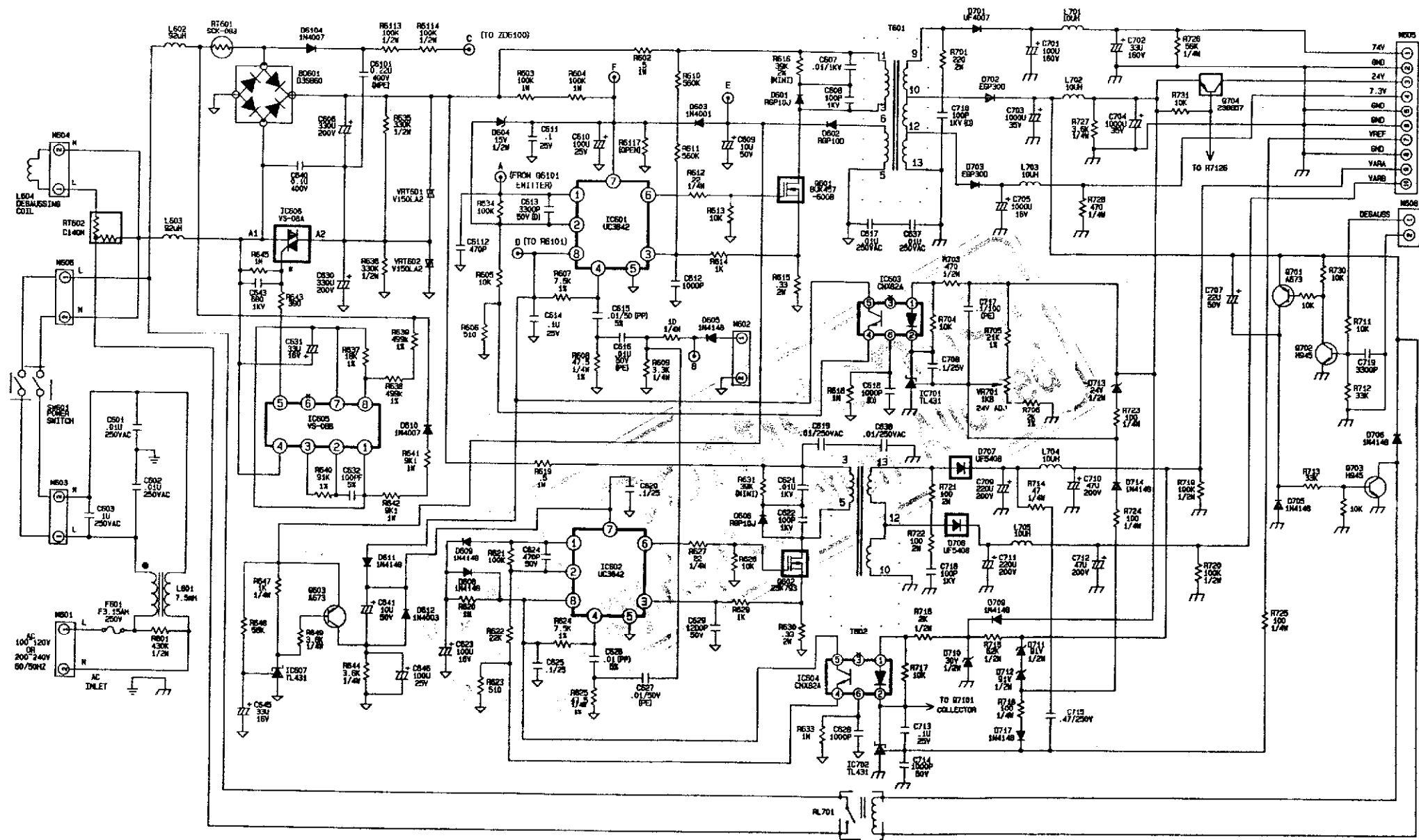


**ACER** 明基電腦股份有限公司  
Acer Peripherals, Inc.

ACERVIEW 7076I/7176I SCHEMATICS (DEF. & CTRL CKT)

SIZE	761MN-5		REV
A1			B
DATE :	1/17/1994	Sheet	1 of 1

# A.1 Switching Power Supply Circuit



## NOTES

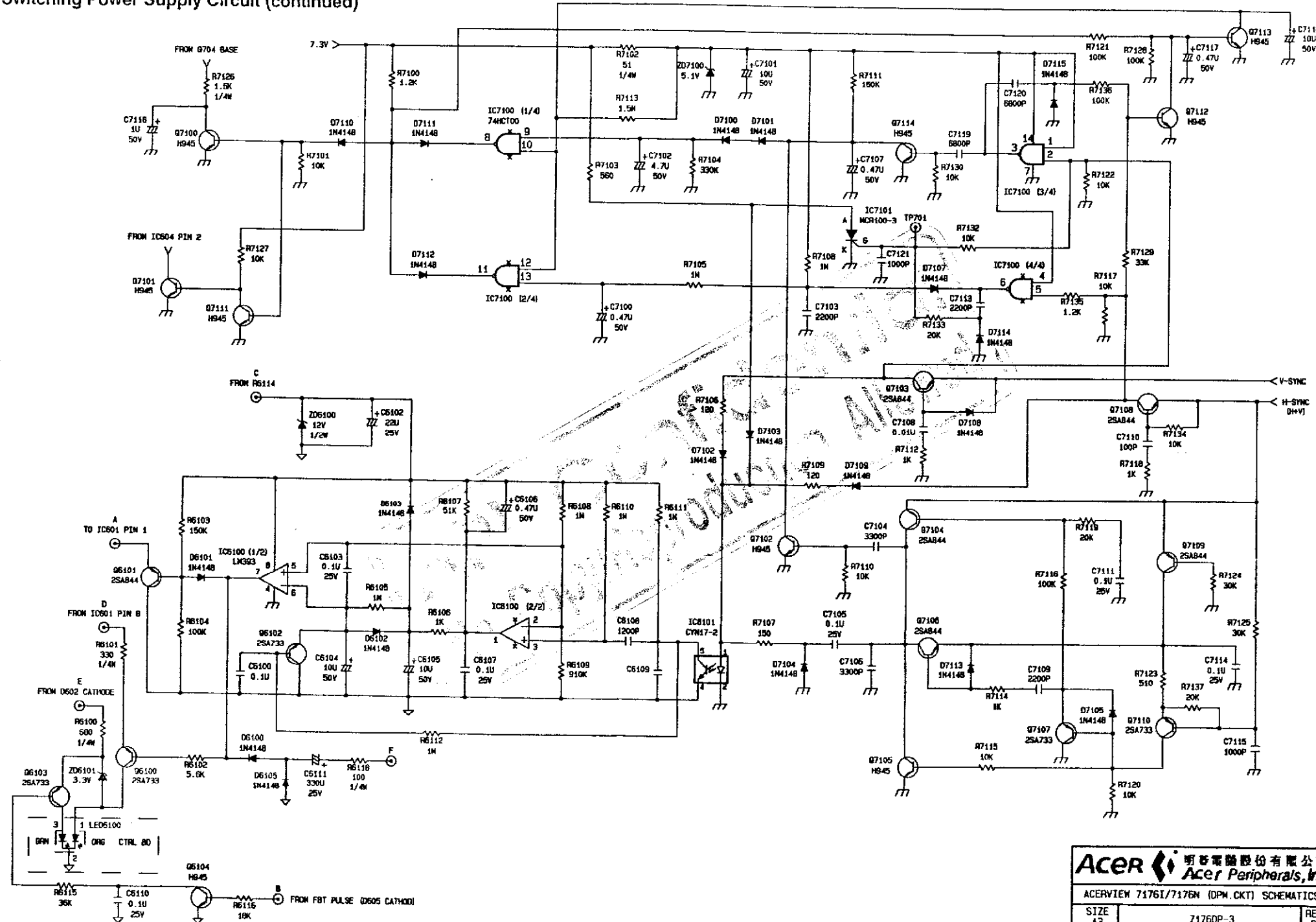
1. RESISTOR VALUES ARE IN OHM, K=1,000 M=1,000,000 OHM
2. ALL RESISTOR ARE 1/8W EXCEPT WHERE OTHERWISE INDICATED.
3. CAPACITOR VALUES ARE IN UF UNLESS OTHERWISE INDICATED, P=PF.
4. ALL CAPACITORS ARE 50V EXCEPT WHERE OTHERWISE INDICATED.
5.  $\perp$  REPRESENTS PCB COMMON GROUND.  $\perp$  EARTH (METALLIC FRAME) GROUND AND  $\perp$  PRIMARY CIRCUIT GROUND.

**Acer** 明碁電腦股份有限公司  
Acer Peripherals, Inc.

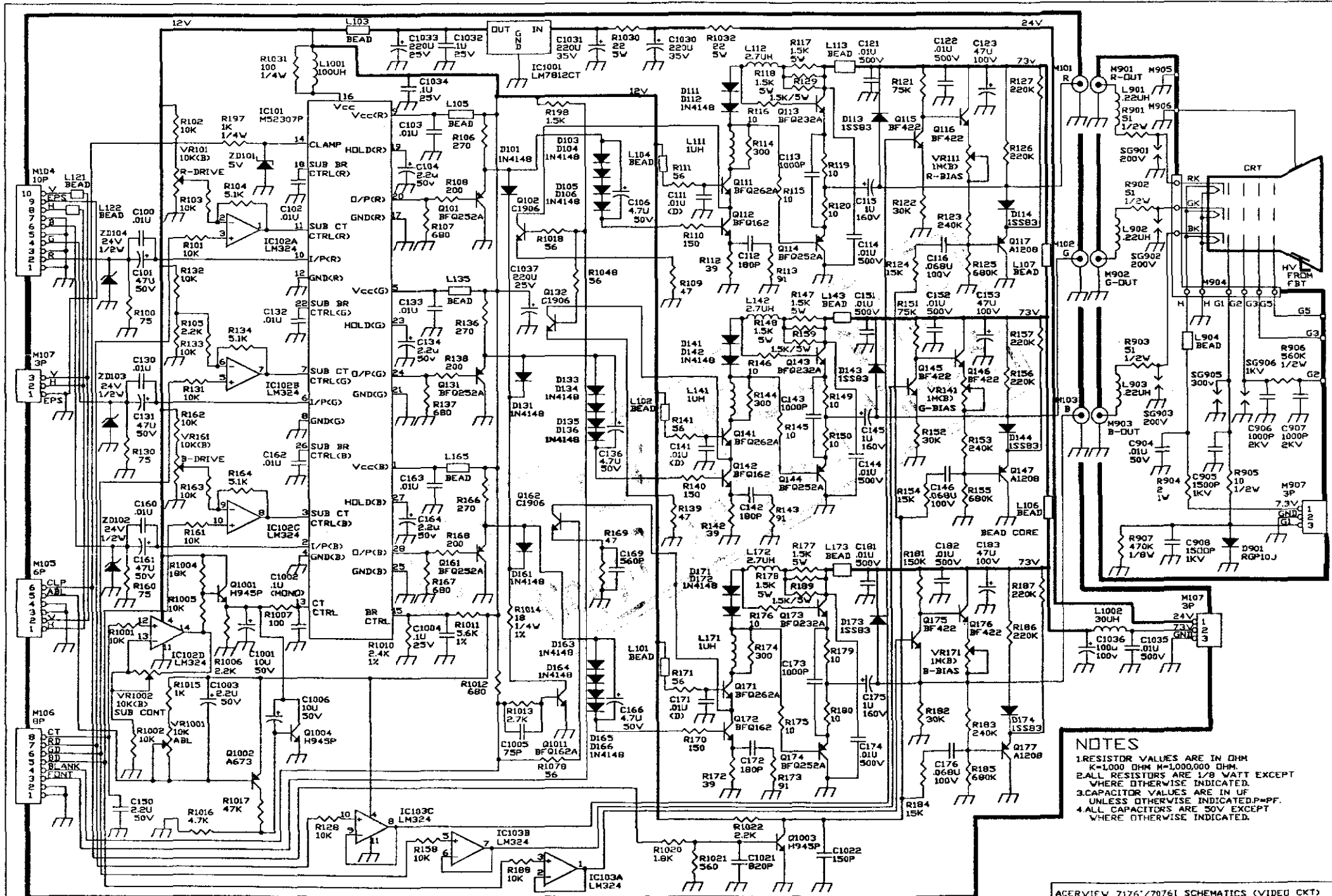
ACERVIEW 71761/7176N (SPS.DKT) SCHEMATICS

SIZE A3	7176SP-3	REV. B
DATE : 1/4/1994	SHEET 1	OF 2

# Switching Power Supply Circuit (continued)

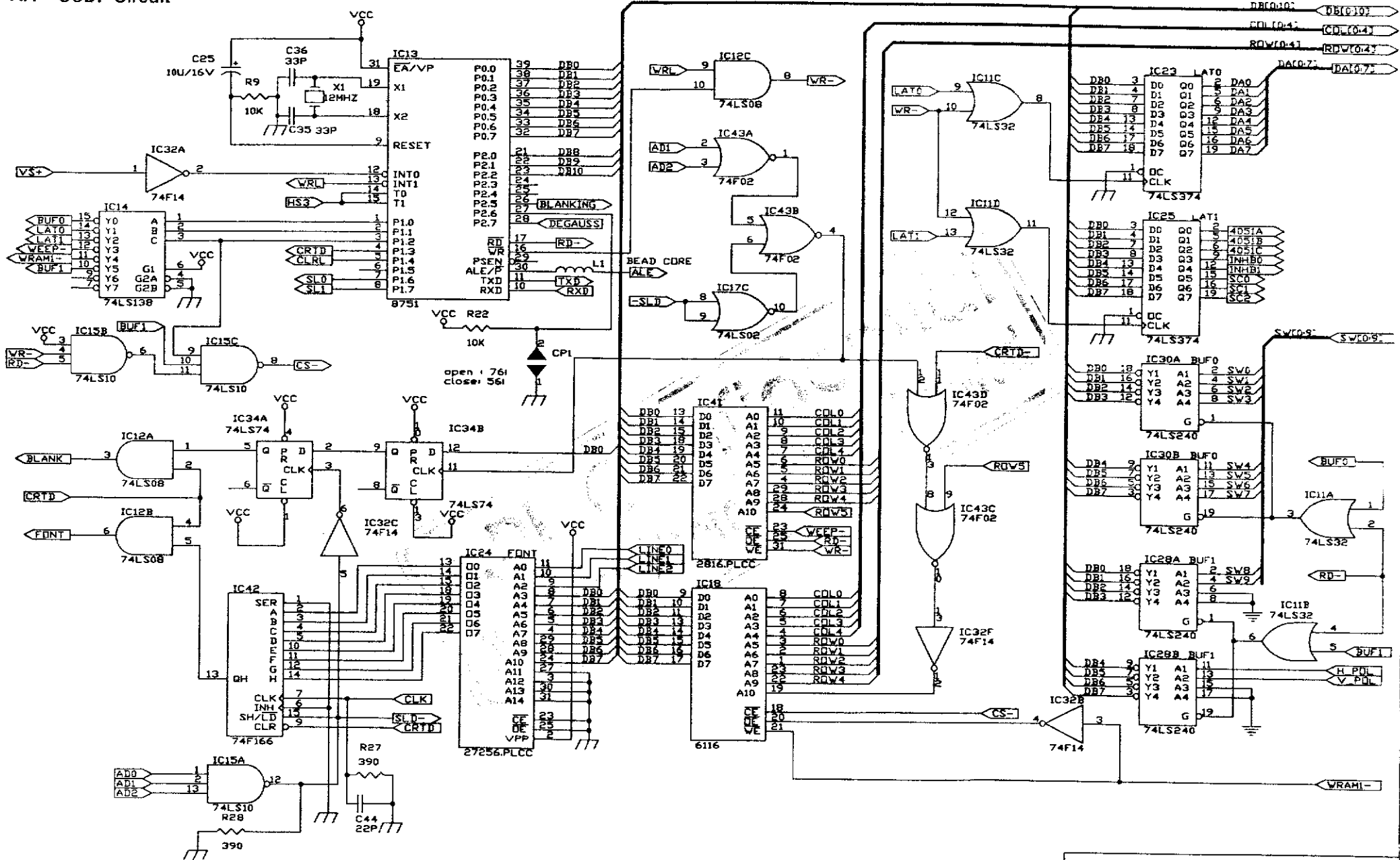


### A.3 Video Controller Circuit

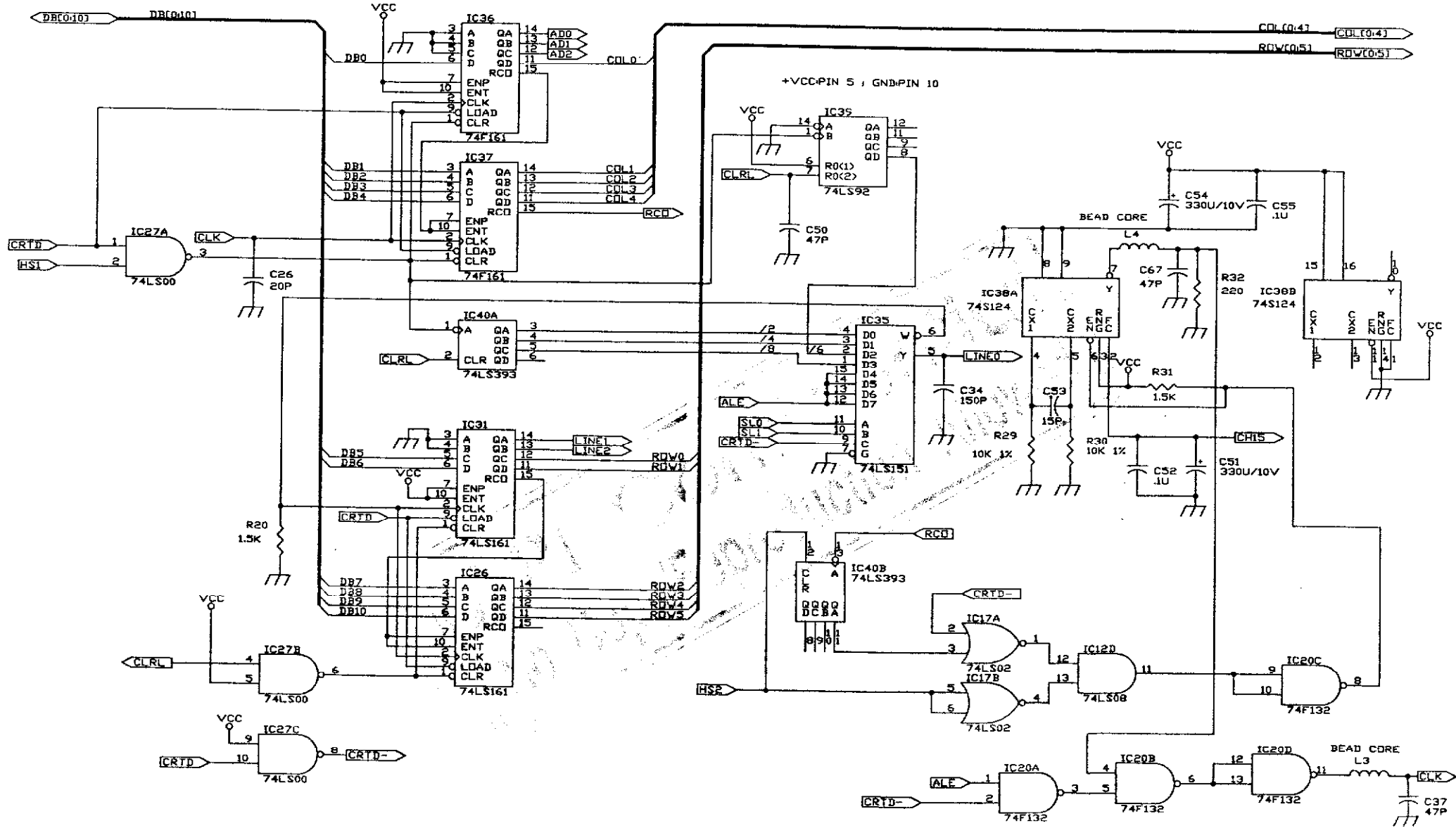


- NOTES**
1. RESISTOR VALUES ARE IN OHM  
K=1000 OHM M=1,000,000 OHM.
  2. ALL RESISTORS ARE 1/8 WATT EXCEPT WHERE OTHERWISE INDICATED.
  3. CAPACITOR VALUES ARE IN UF UNLESS OTHERWISE INDICATED. P=PPF.
  4. ALL CAPACITORS ARE 50V EXCEPT WHERE OTHERWISE INDICATED.

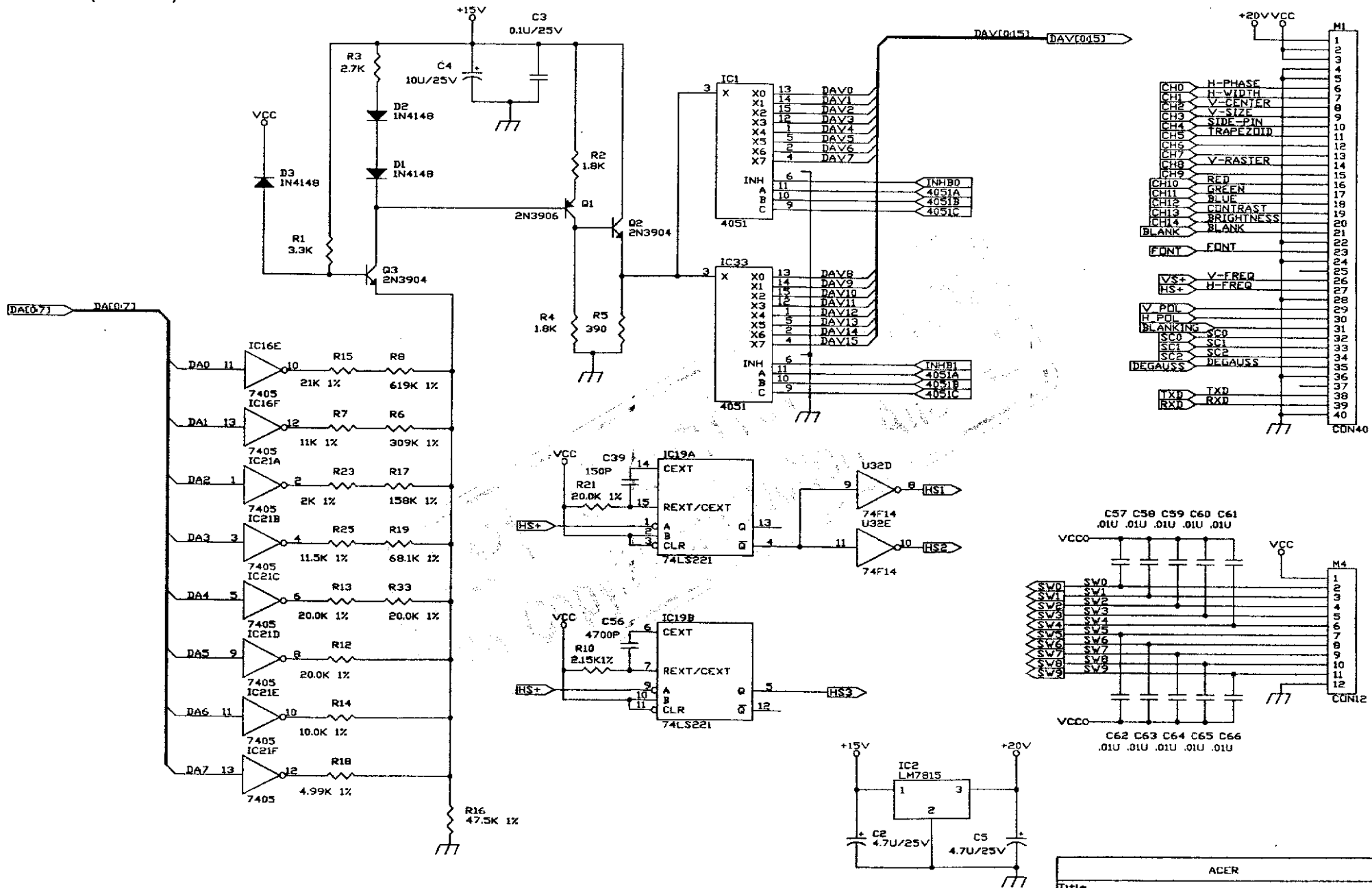
# A.4 OSDP Circuit



OSDP Circuit (continued)

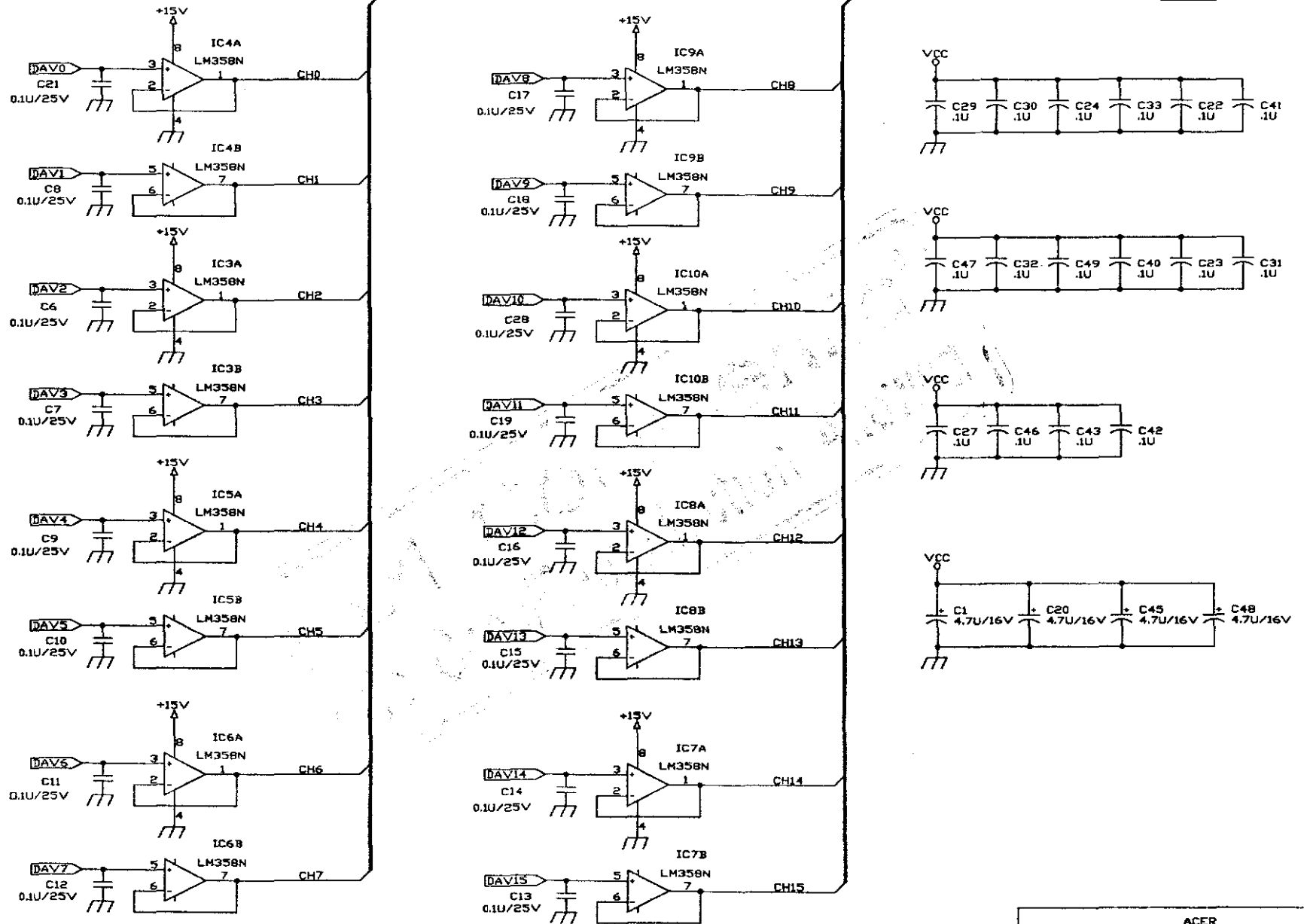


OSDP Circuit (continued)



ACER		
Title	56i / 76i / 7176i	
Size	Document Number	REV
B	POWER & OUTPUT	B
Date:	January 17, 1994	Sheet 3 of 4

OSDP Circuit (continued)



ACER			
Title	56i / 76i / 7176i		
Size	Document Number		REV
B			B
Date	January 17, 1994	Sheet	4 of 4