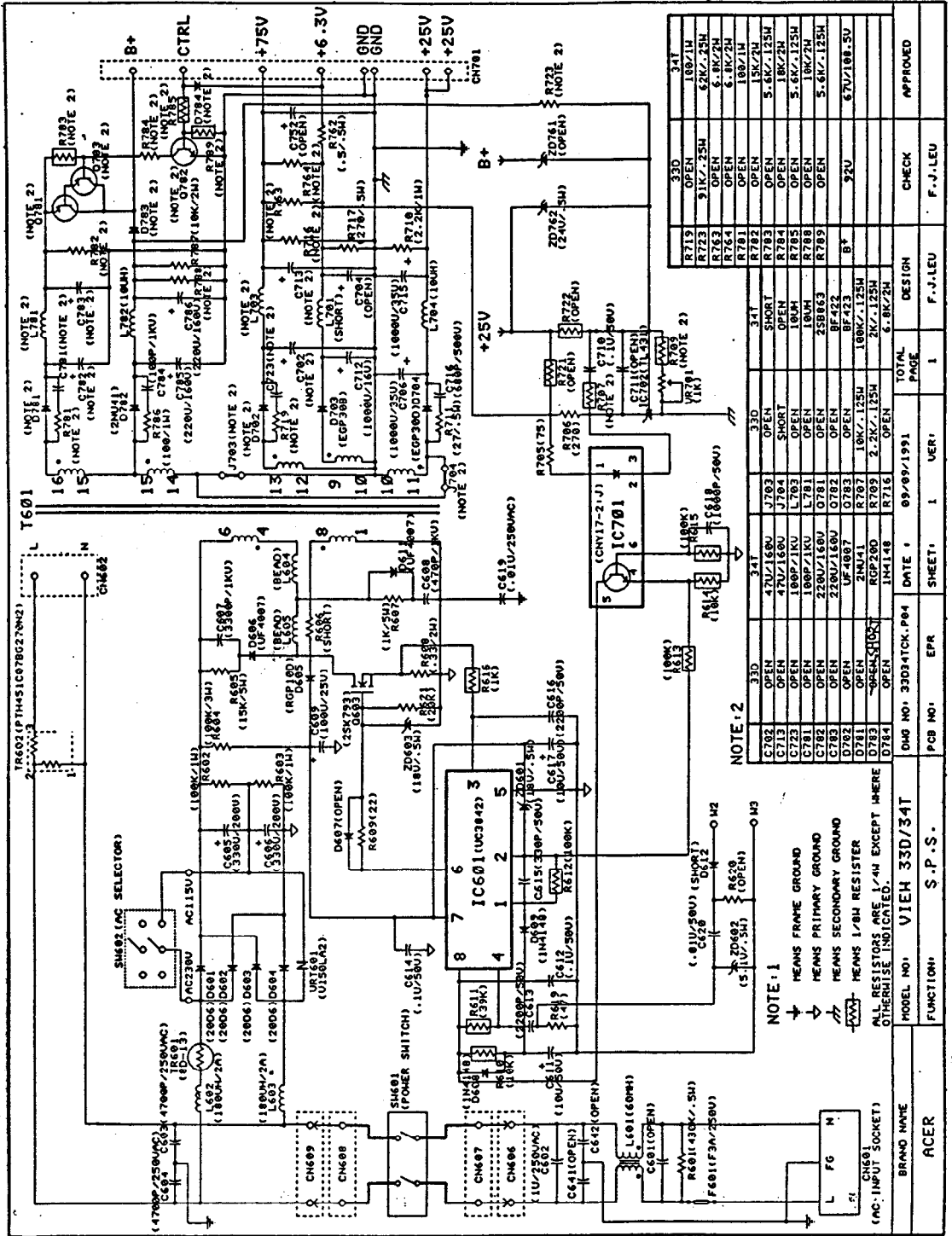
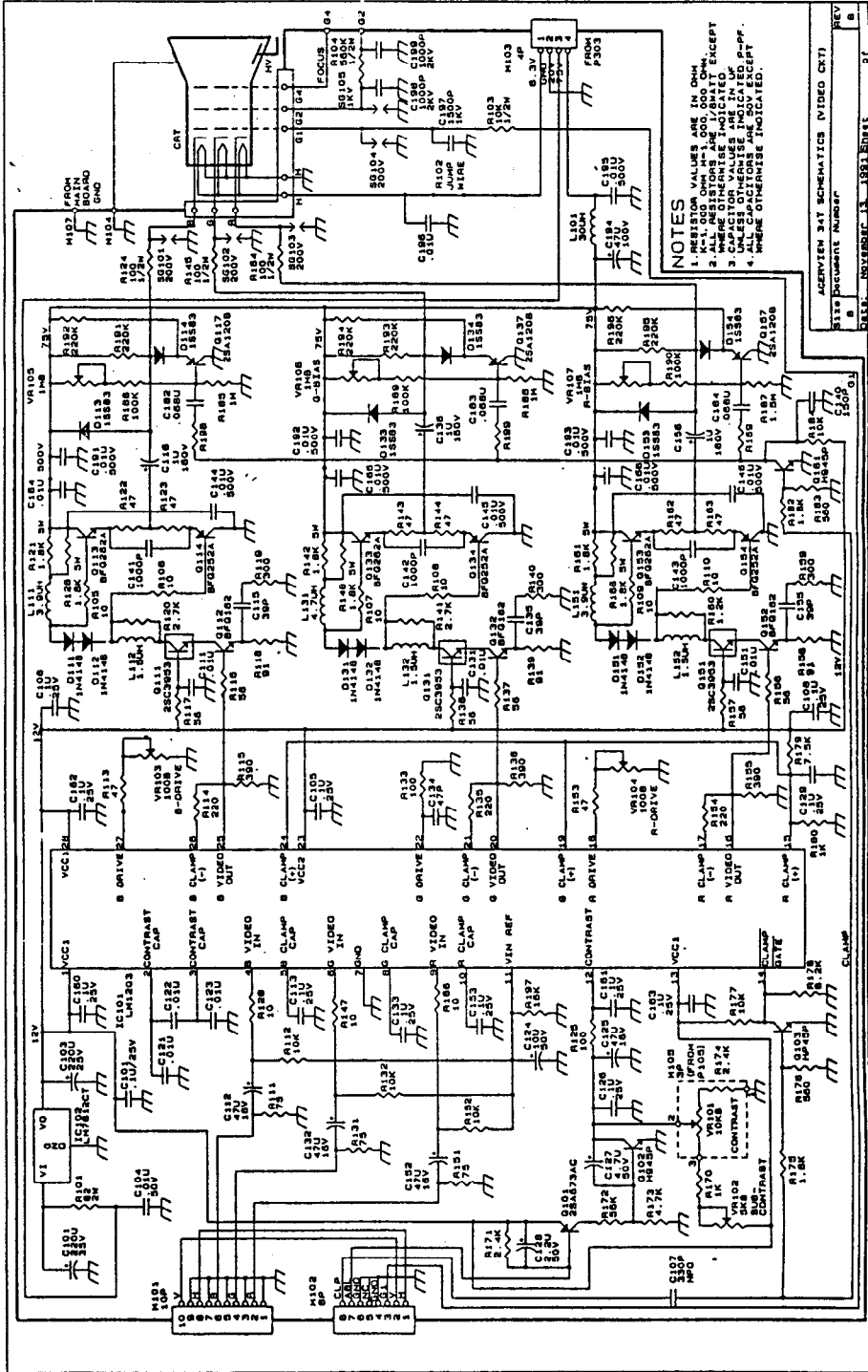


Circuit Diagrams





- NOTES**
1. RESISTOR VALUES ARE IN OHMS
 2. ALL 1.000 OHM $\pm 1.000, 0.000, 0.000$ EXCEPT
 3. CAPACITOR VALUES ARE IN μF UNLESS OTHERWISE INDICATED EXCEPT
 4. ALL CAPACITORS ARE 50V EXCEPT WHERE OTHERWISE INDICATED.

ACERVIEW 34T SCHEMATIC (VIDEO CRT)
 SITE DOCUMENT NUMBER
 PART NUMBER IS 091 ENHLL
 REV B

