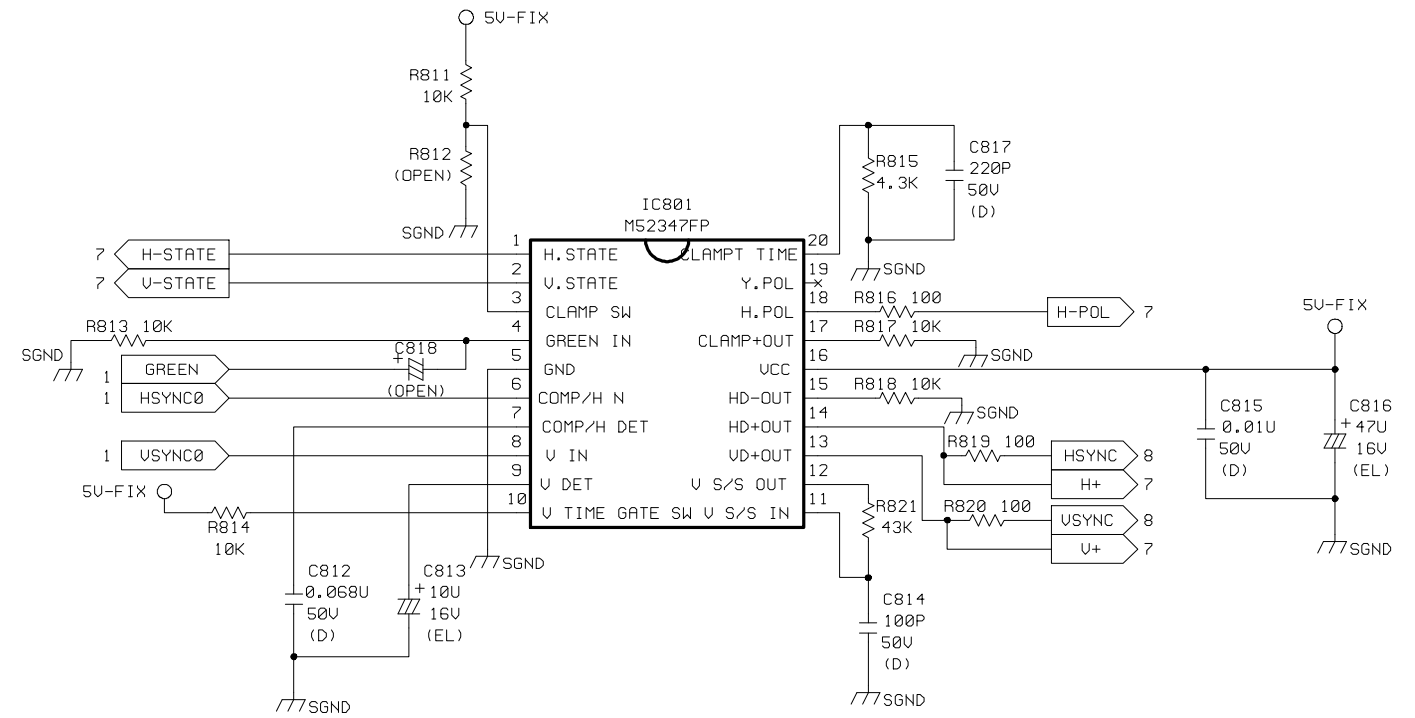
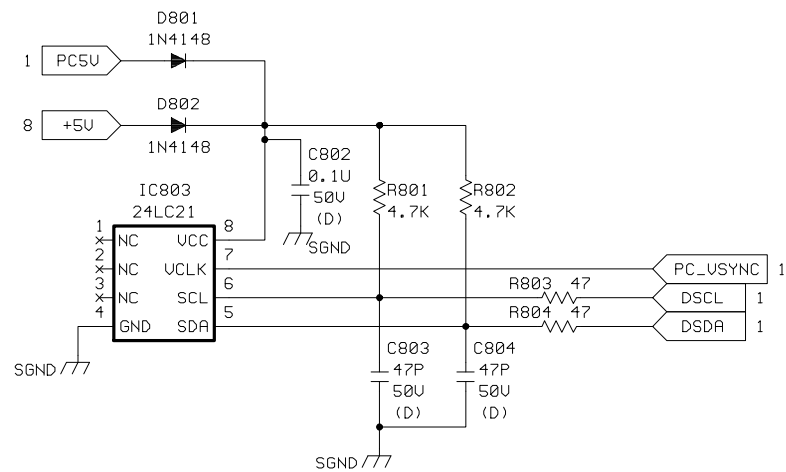
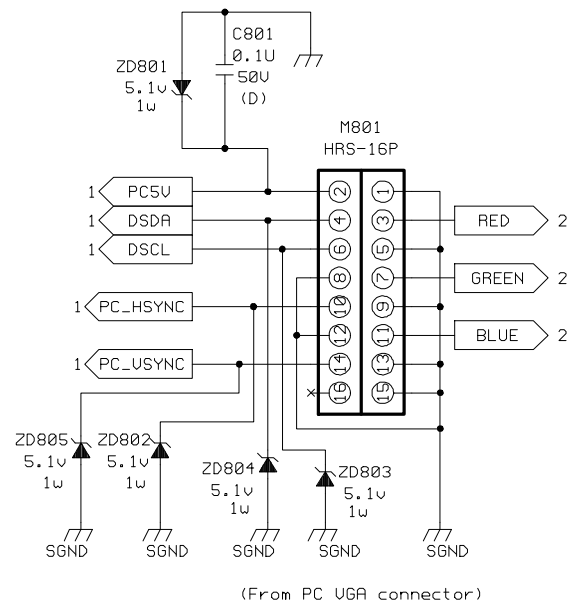
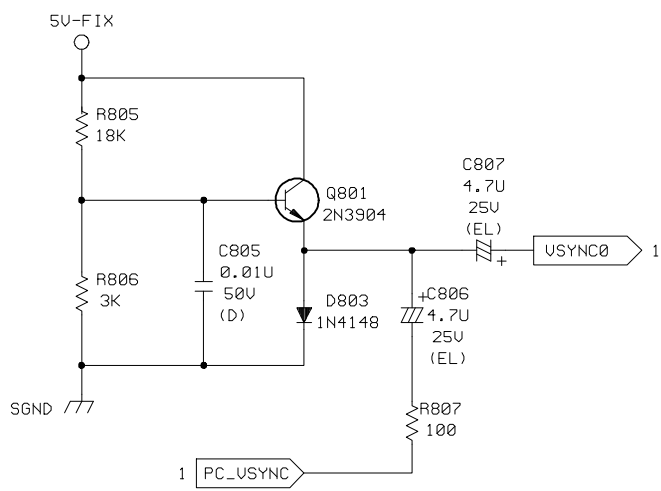
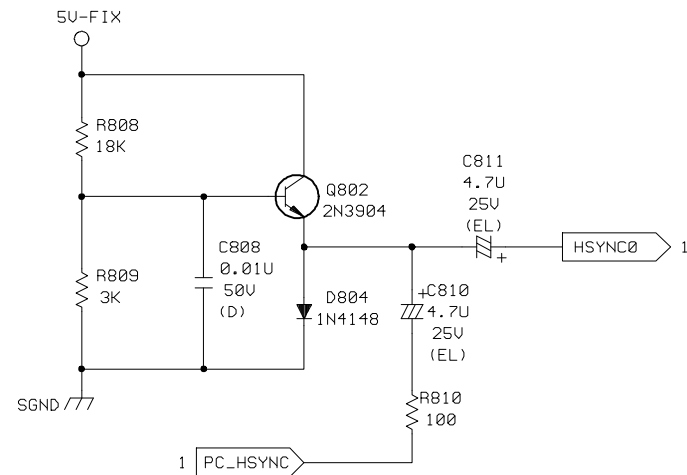


- NOTES:
1. Resistor values are in ohm, K=1,000 ohm, M=1,000,000 ohm
 2. All resistors are 1/8 watt, 5% except where otherwise indicated
 3. $\text{---} \text{---} \text{---}$ $\text{---} \text{---} \text{---}$ $\text{---} \text{---} \text{---}$ Represents PCB common ground.

明基電腦股份有限公司 Acer Peripherals, Inc.				
ACER FP850/FP855 AUDIO SCHEMATIC				
SIZE A4	70A08A01.SCH	FAB A01	Doc.No. 304-C04	REV. 0
DATE : 7/20/1999		Sheet 1 OF 1		
Project Code. 99.L0872.001				
Prepared By CHRIS PENG 7/20/99		Reviewed By NICK CC CHEN 7/20/99		Approved By T.S.WU 7/20/99

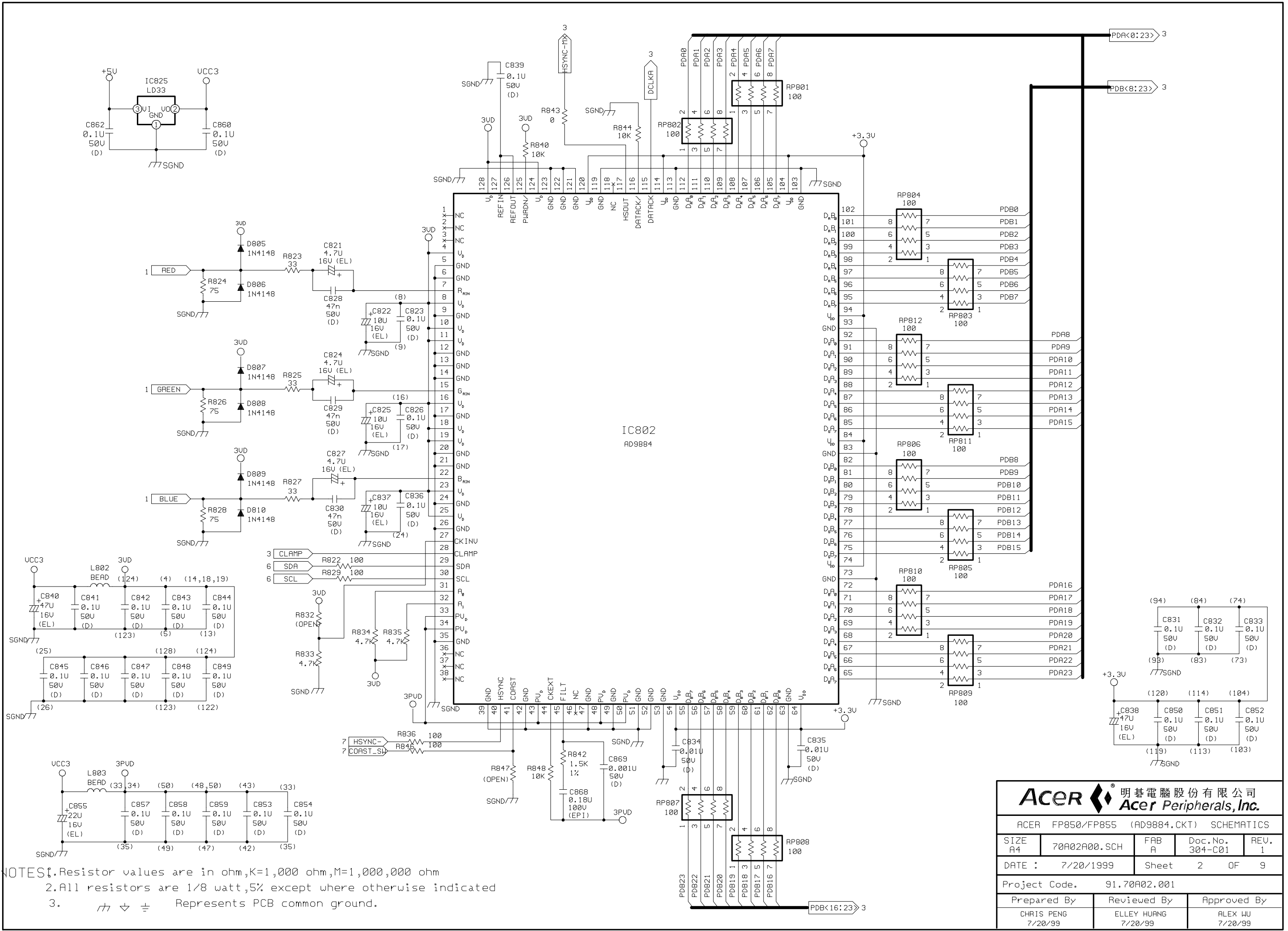


- NOTES:
- Resistor values are in ohm, K=1,000 ohm, M=1,000,000 ohm
 - All resistors are 1/8 watt, 5% except where otherwise indicated
 - $\text{---} \nabla \pm$ Represents PCB common ground.

ACER 明基電腦股份有限公司
Acer Peripherals, Inc.

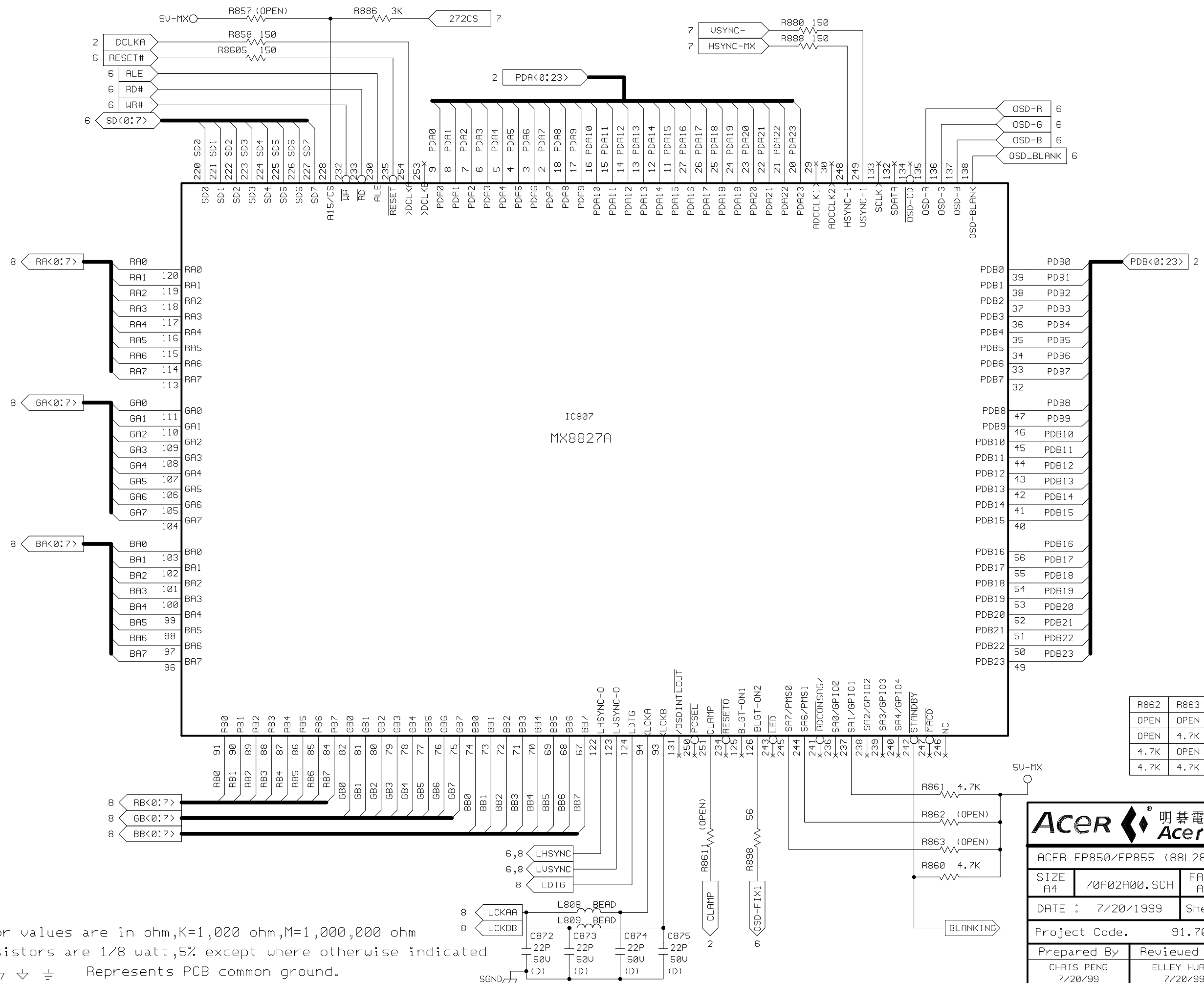
ACER FP850/FP855 (INPUT.CKT) SCHEMATIC

SIZE A4	70A07A00.SCH	FAB A	Doc.No. 304-C01	REV. 1
DATE :	7/20/1999	Sheet	1	OF 9
Project Code.		91.70A02.001		
Prepared By	Reviewed By	Approved By		
CHRIS PENG	ELLEY HUANG	ALEX WU		
7/20/99	7/20/99	7/20/99		



NOTES: 1. Resistor values are in ohm, K=1,000 ohm, M=1,000,000 ohm
 2. All resistors are 1/8 watt, 5% except where otherwise indicated
 3. $\text{---} \text{---} \text{---}$ Represents PCB common ground.

ACER 明基電腦股份有限公司 Acer Peripherals, Inc.				
ACER FP850/FP855 (AD9884, CKT) SCHEMATICS				
SIZE A4	70A02A00.SCH	FAB A	Doc.No. 304-C01	REV. 1
DATE : 7/20/1999	Sheet 2 OF 9			
Project Code. 91.70A02.001				
Prepared By CHRIS PENG 7/20/99	Reviewed By ELLEY HUANG 7/20/99	Approved By ALEX WU 7/20/99		

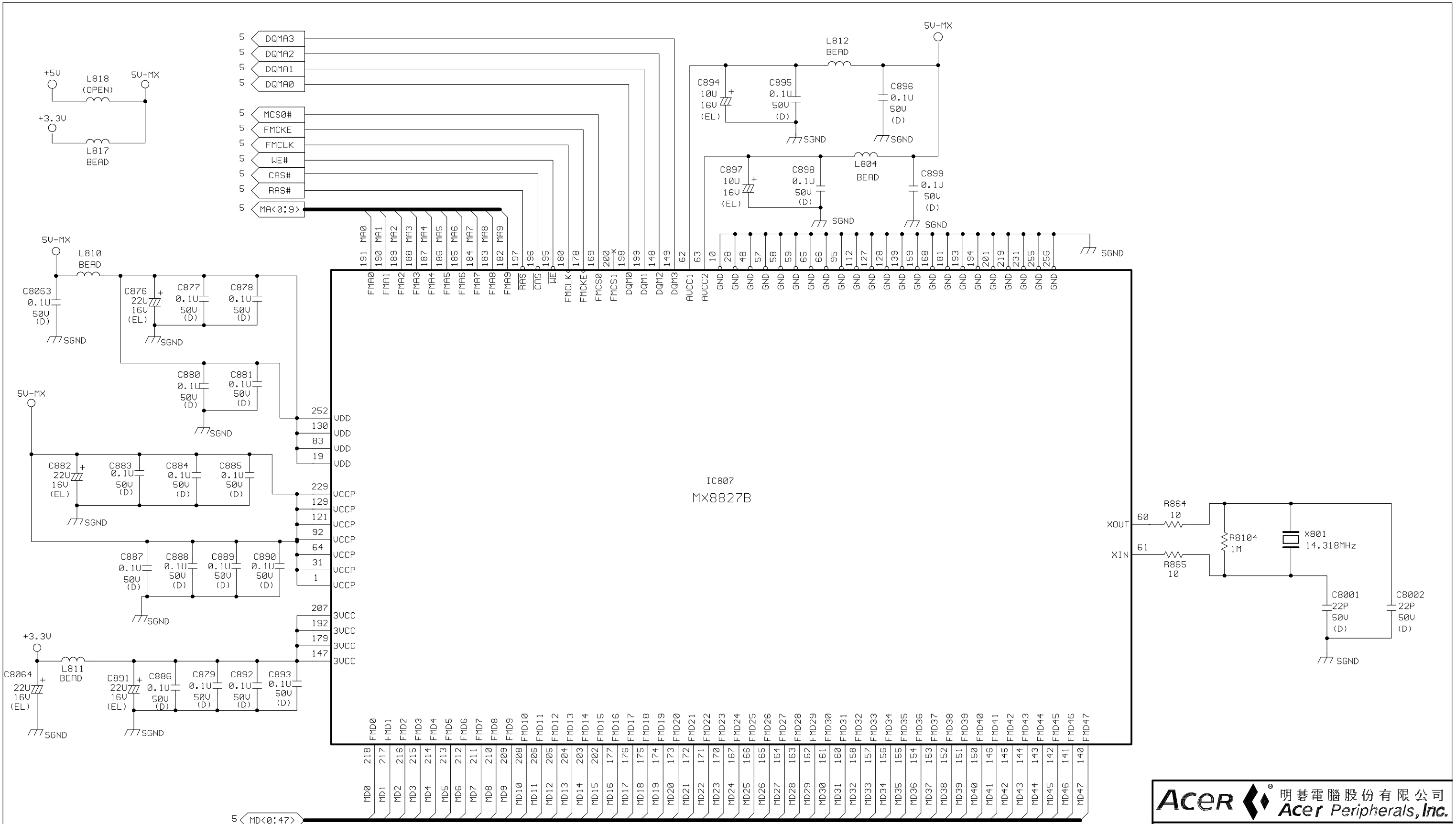


NOTES: 1. Resistor values are in ohm, K=1,000 ohm, M=1,000,000 ohm
 2. All resistors are 1/8 watt, 5% except where otherwise indicated
 3. ∇ ∇ ∇ Represents PCB common ground.

ACER 明碁電腦股份有限公司
Acer Peripherals, Inc.

ACER FP850/FP855 (88L282-1.CKT) SCHEMATIC

SIZE A4	70A02A00.SCH	FAB A	Doc.No. 304-C01	REV. 1
DATE: 7/20/1999		Sheet 3 OF 9		
Project Code. 91.70A02.001				
Prepared By CHRIS PENG 7/20/99	Reviewed By ELLEY HUANG 7/20/99	Approved By ALEX WU 7/20/99		



- NOTES:
1. Resistor values are in ohm, K=1,000 ohm, M=1,000,000 ohm
 2. All resistors are 1/8 watt, 5% except where otherwise indicated
 3. ∇ ∇ ∇ Represents PCB common ground.



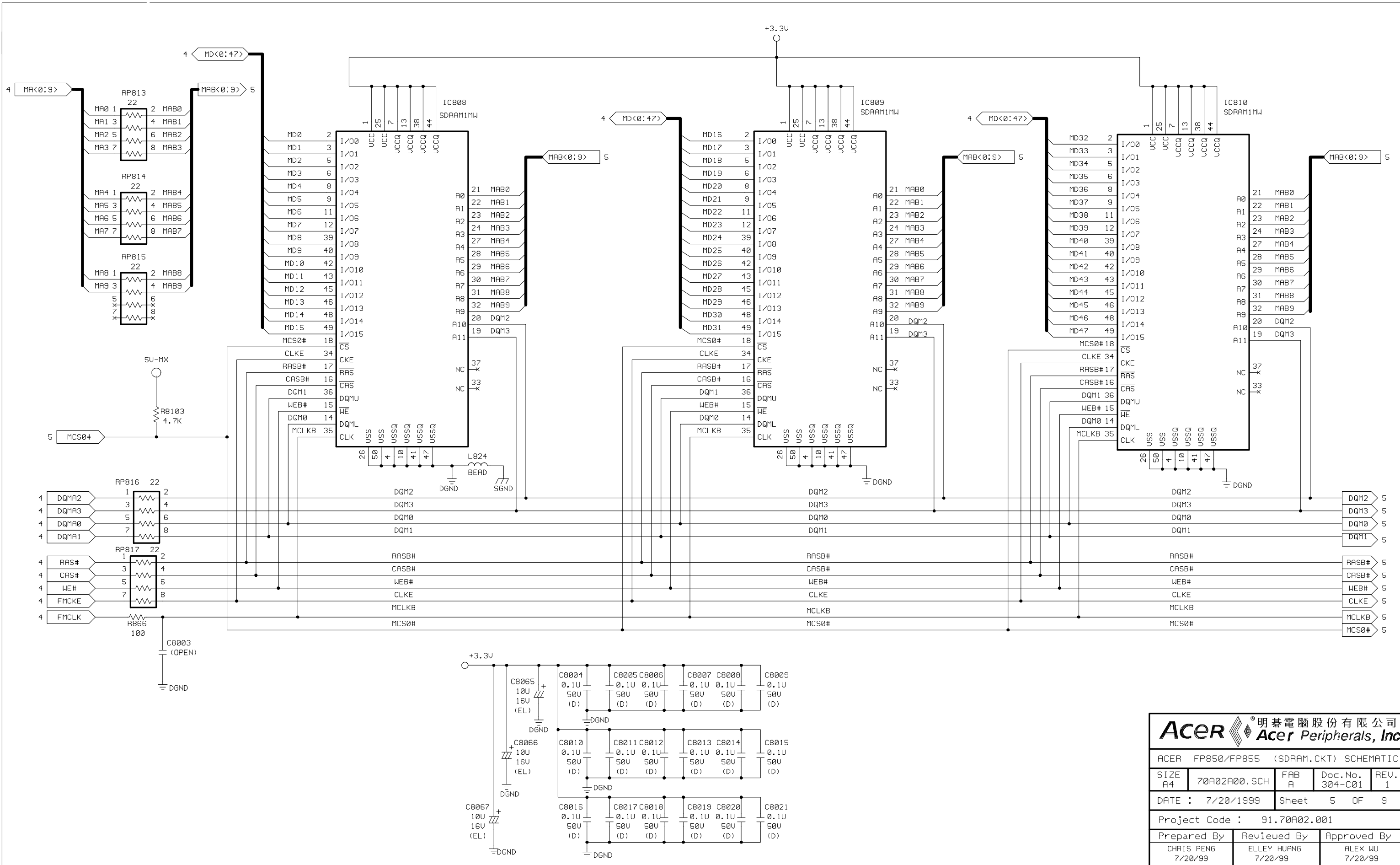
ACER FP850/FP855 (88L282-2.CKT) SCHEMATIC

SIZE A4	70A02A00.SCH	FAB A	Doc.No. 304-C01	REV. 1
------------	--------------	----------	--------------------	-----------

DATE : 7/20/1999 Sheet 4 OF 9

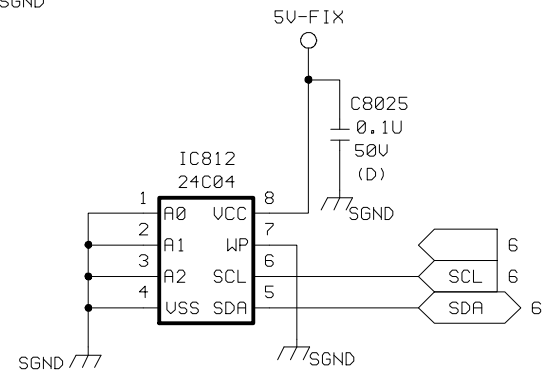
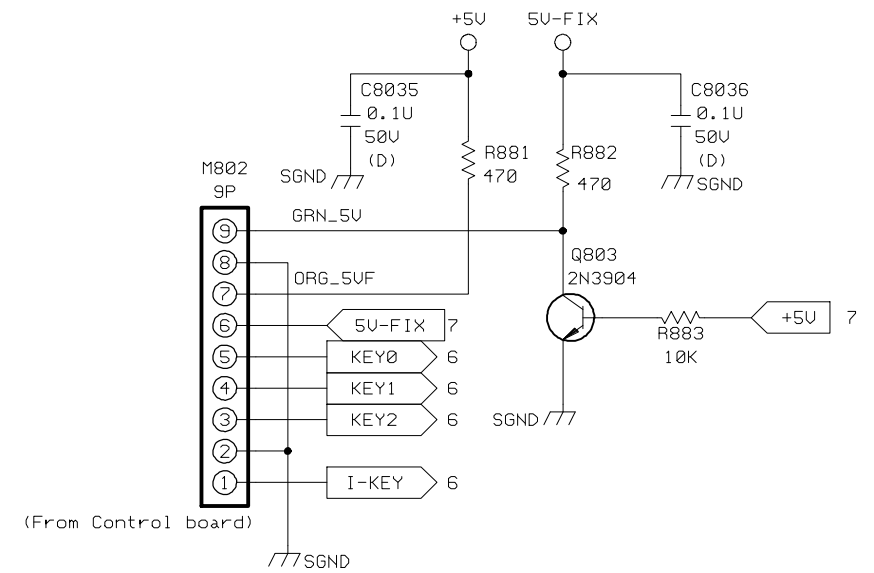
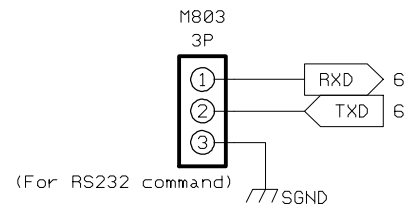
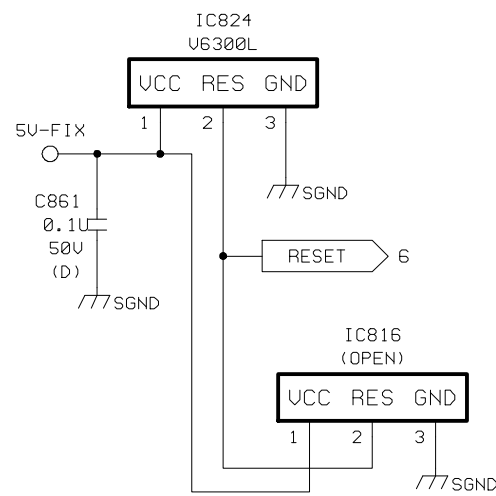
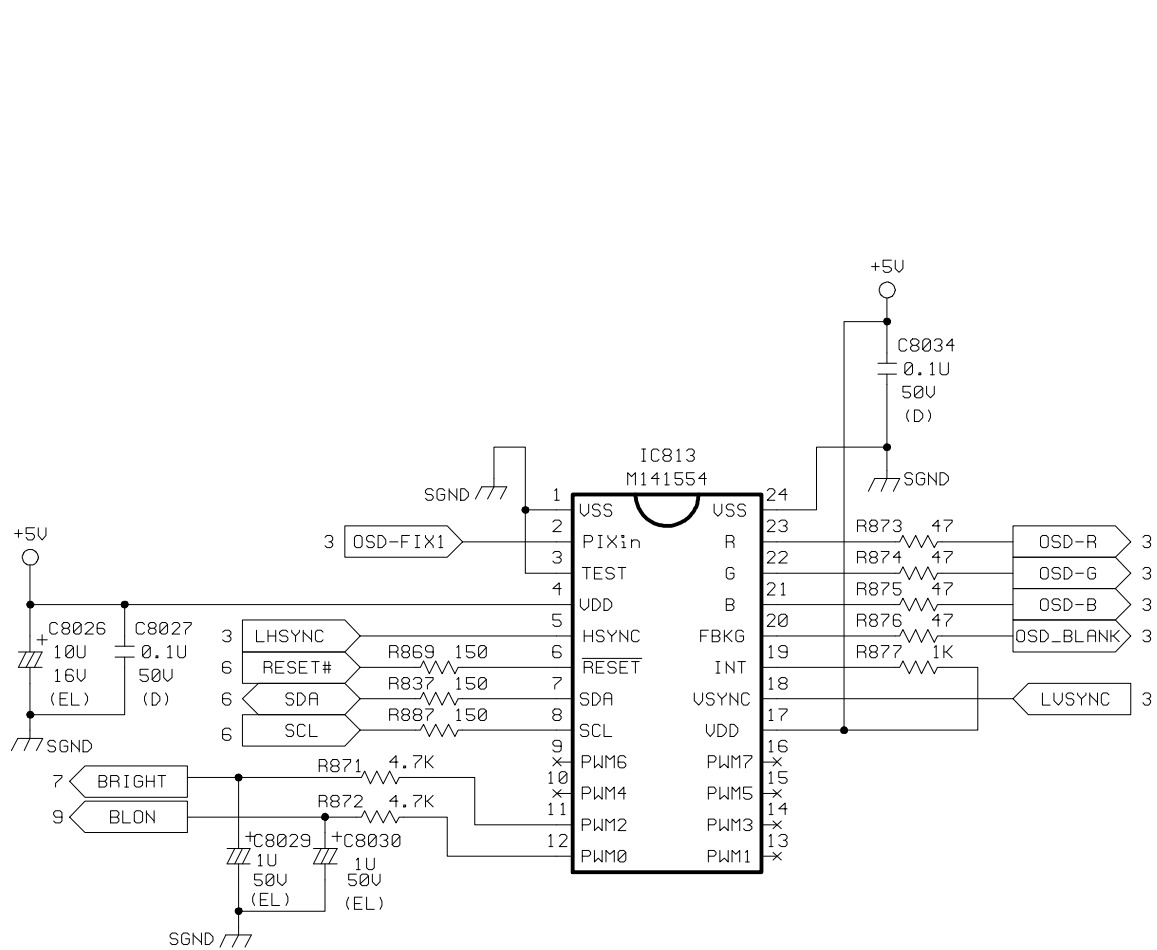
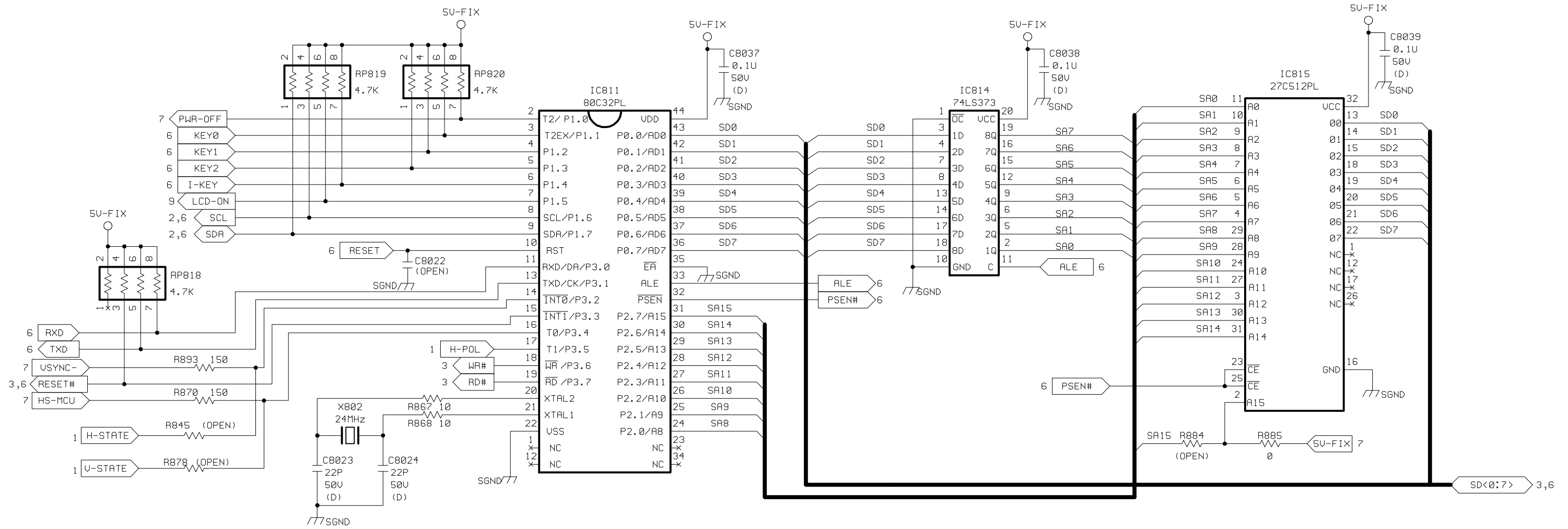
Project Code. 91.70A02.001

Prepared By CHRIS PENG 7/20/99	Reviewed By ELLEY HUANG 7/20/99	Approved By ALEX WU 7/20/99
--------------------------------------	---------------------------------------	-----------------------------------



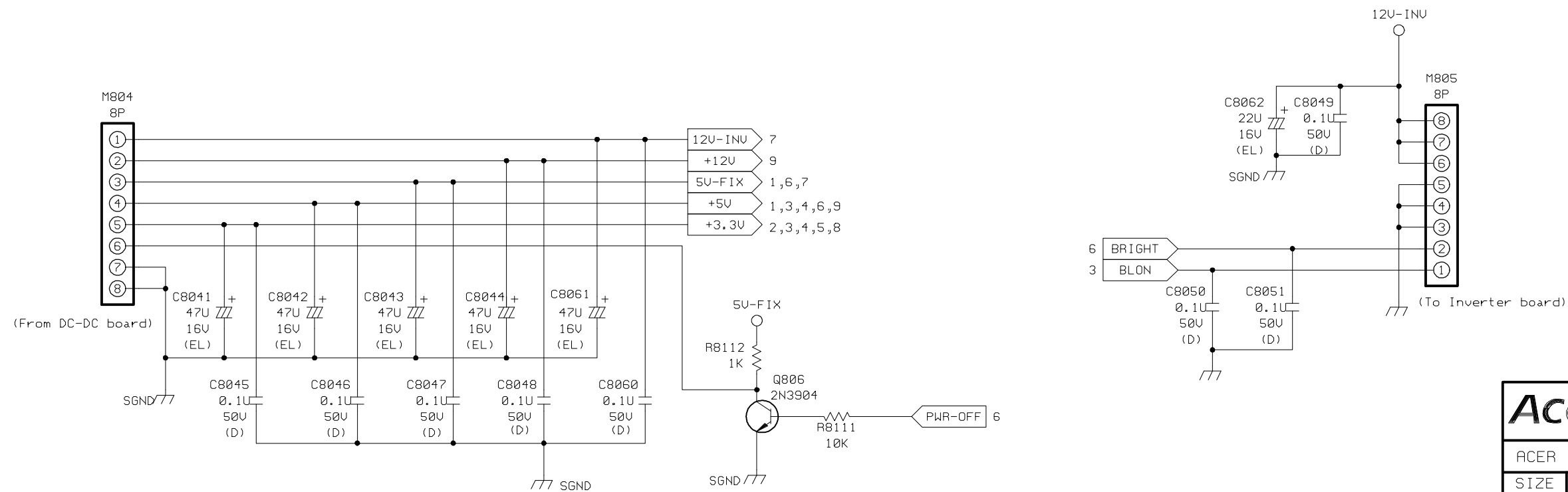
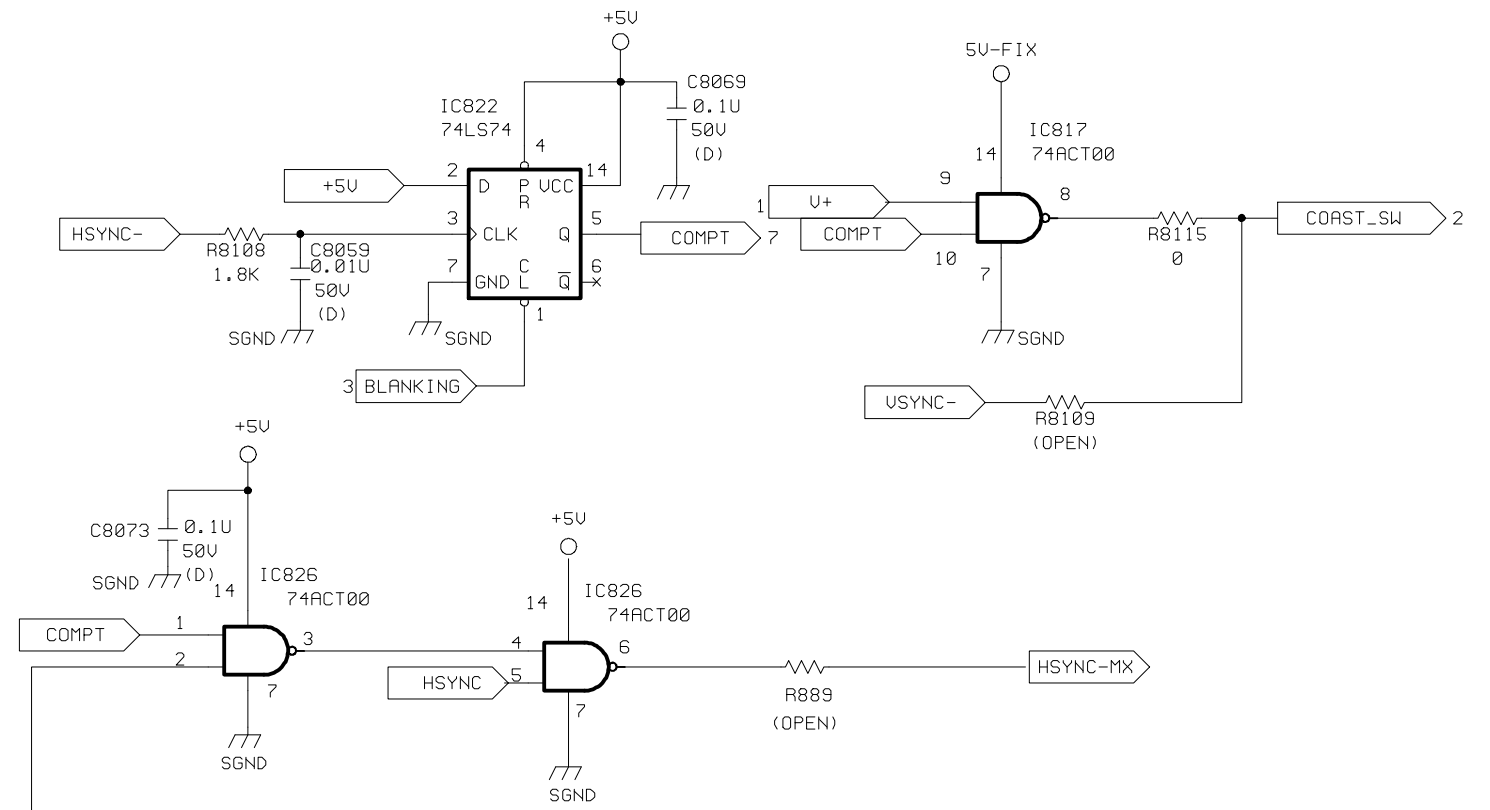
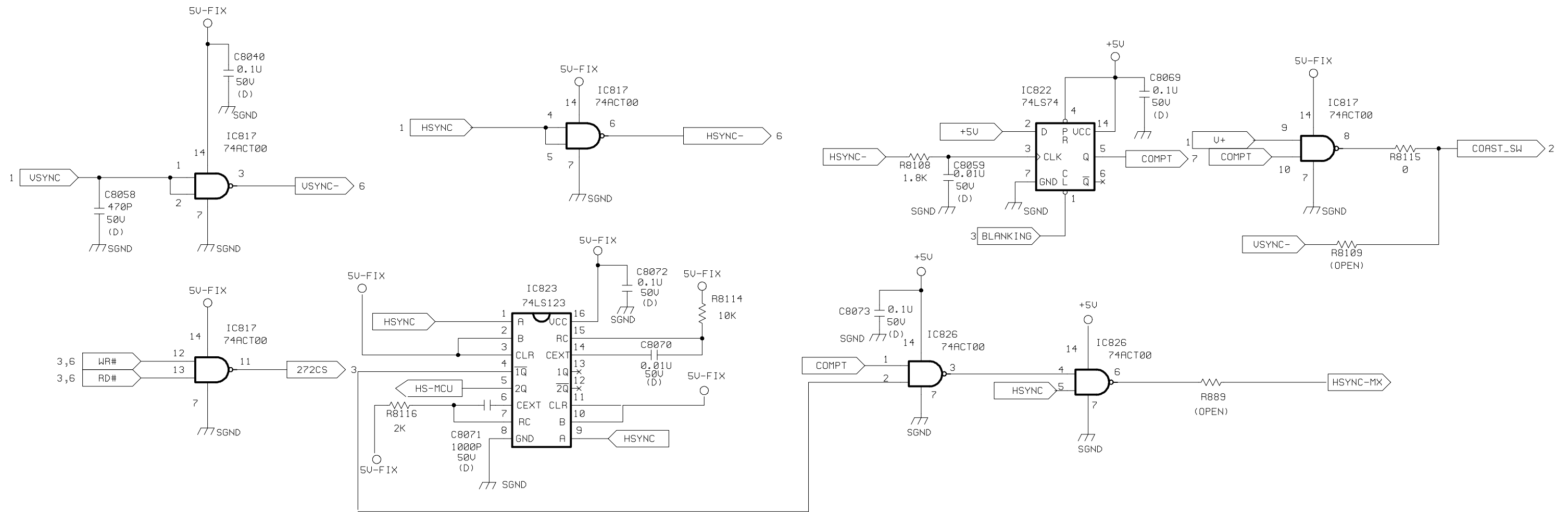
ACER 明基電腦股份有限公司
Acer Peripherals, Inc.

ACER FP850/FP855 (SDRAM.CKT) SCHEMATIC				
SIZE A4	70A02A00.SCH	FAB A	Doc.No. 304-C01	REV. 1
DATE : 7/20/1999		Sheet 5 OF 9		
Project Code : 91.70A02.001				
Prepared By CHRIS PENG 7/20/99		Reviewed By ELLEY HUANG 7/20/99		Approved By ALEX WU 7/20/99



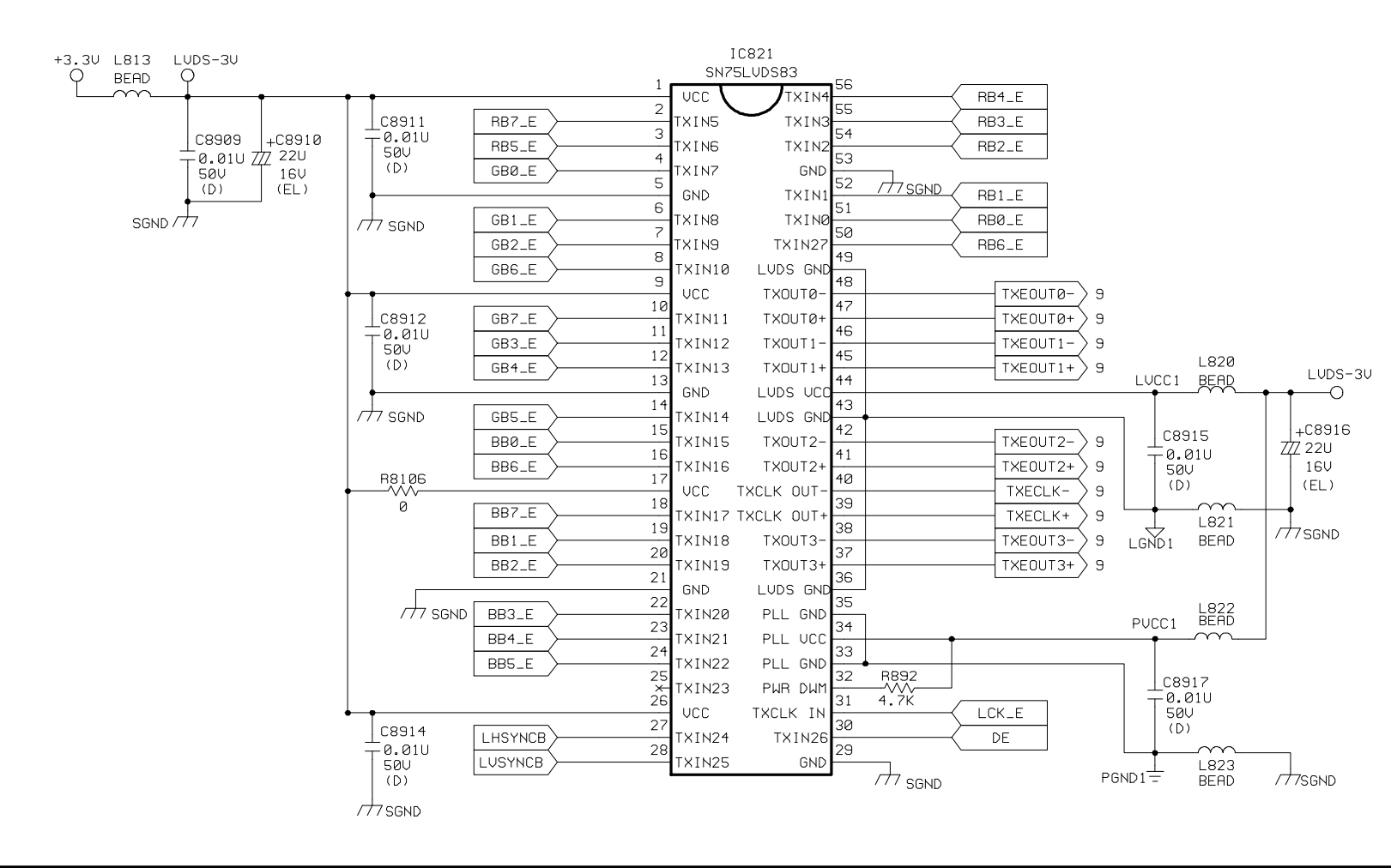
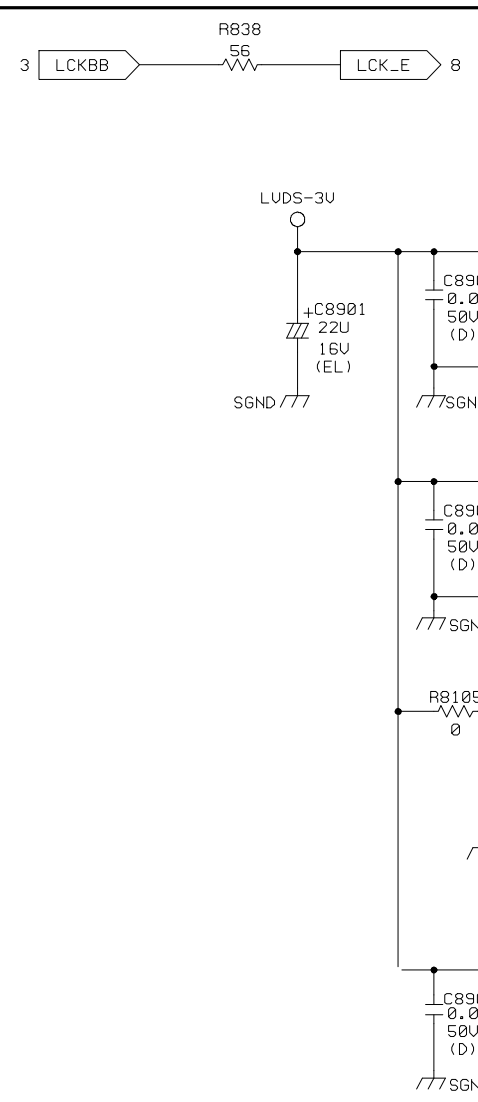
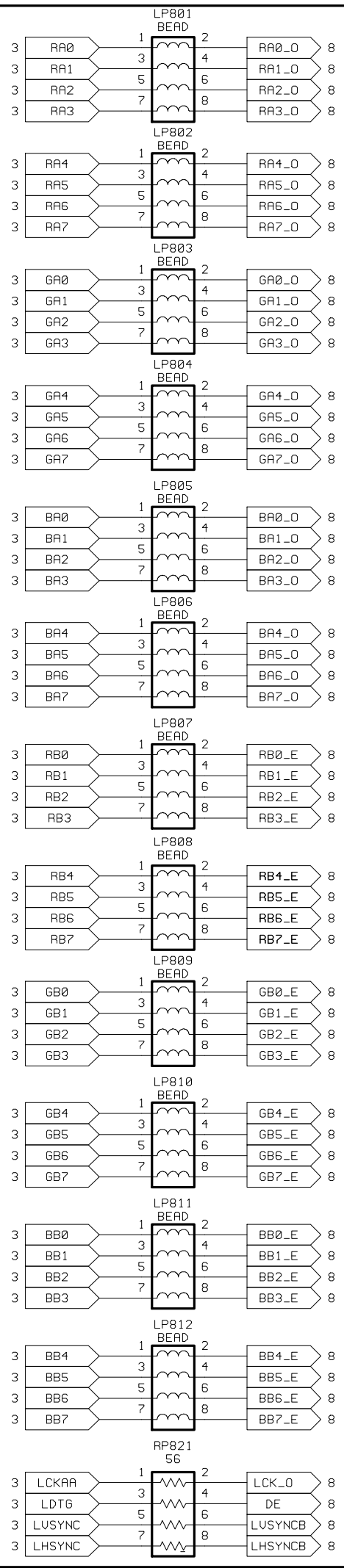
ACER 明基電腦股份有限公司
Acer Peripherals, Inc.

ACER FP850/FP855 (uP.CKT) SCHEMATIC			
SIZE A4	70A02A00.SCH	FAB A	Doc.No. 304-C01
DATE : 7/20/1999	Sheet 6	OF 9	REV. 1
Project Code : 91.70A02.001			
Prepared By	Reviewed By	Approved By	
CHRIS PENG 7/20/99	ELLEY HUANG 7/20/99	ALEX WU 7/20/99	



- NOTES:
- Resistor values are in ohm, K=1,000 ohm, M=1,000,000 ohm
 - All resistors are 1/8 watt, 5% except where otherwise indicated
 - $\text{---} \text{---} \text{---}$ Represents PCB common ground.

明碁電腦股份有限公司 Acer Peripherals, Inc.				
ACER FP850/FP855 (CONN.CKT) SCHEMATIC				
SIZE A4	70A02A00.SCH	FAB A	Doc.No. 304-C01	REV. 1
DATE : 7/20/1999		Sheet 7 OF 9		
Project Code.		91.70A02.001		
Prepared By CHRIS PENG 7/20/99	Reviewed By ELLEY HUANG 7/20/99	Approved By ALEX WU 7/20/99		



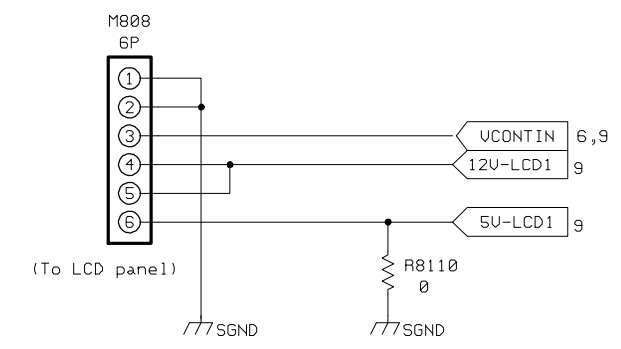
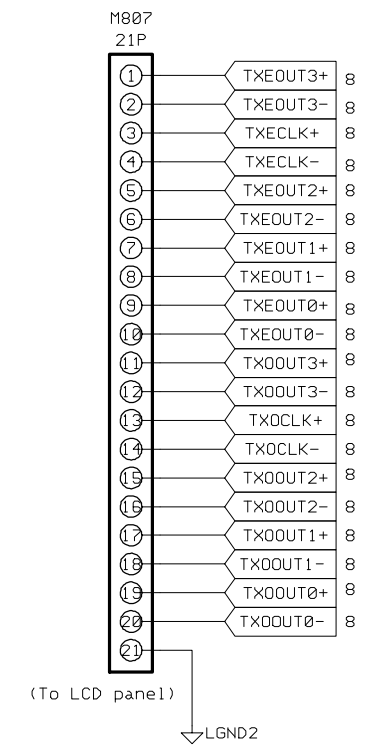
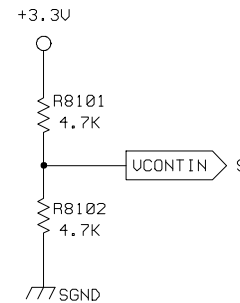
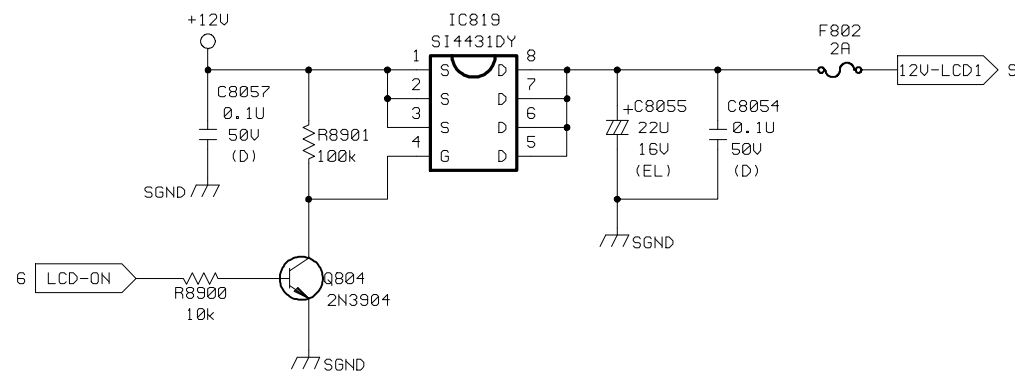
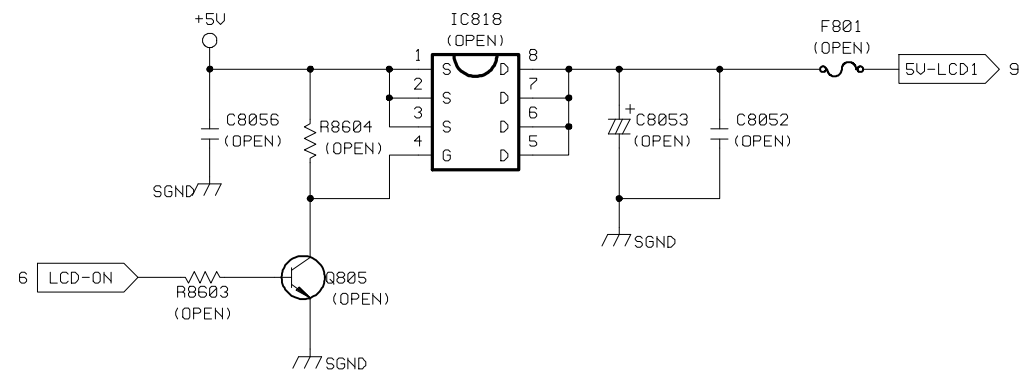
NOTES: 1. Resistor values are in ohm, K=1,000 ohm, M=1,000,000 ohm
 2. All resistors are 1/8 watt, 5% except where otherwise indicated
 3. ∇ ∇ ∇ Represents PCB common ground.

IC820 & IC821	R8105	R8106
SN75LVDS83	0	0
DS90C383	OPEN	OPEN
THC63LVDM83A	OPEN	OPEN

ACER 明基電腦股份有限公司
Acer Peripherals, Inc.

ACER FP850/FP855 (LVDS TRANSMITTER. CKT) SCHEMATICS

SIZE A4	70A02A00.SCH	FAB A	Doc. No. 304-C01	REV. 1
DATE : 7/20/1999	Sheet 8	OF 9		
Project Code. 91.70A02.001				
Prepared By CHRIS PENG 7/20/99	Reviewed By ELLEY HUANG 7/20/99	Approved By ALEX WU 7/20/99		



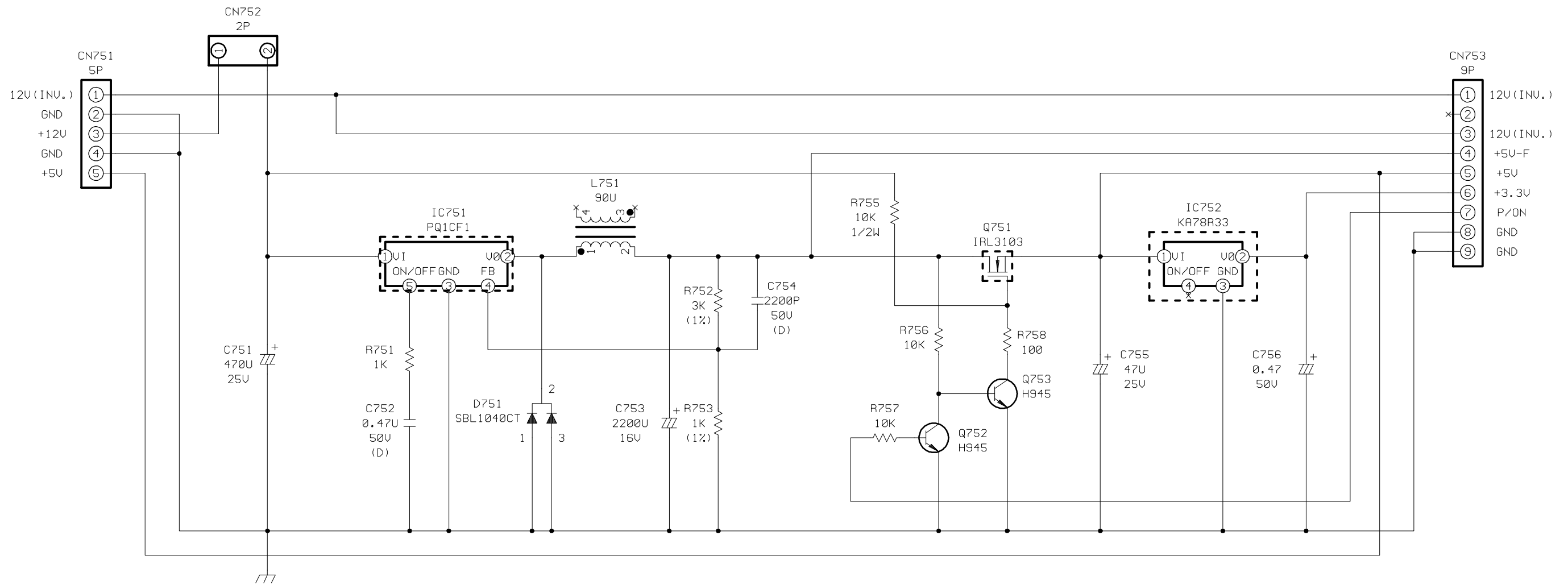
Panel Type	IC818	Q805	R8603	R8604	C8056	C8053	C8052	F801	R8102	R8110
IBM ITSX94 (18.1")	OPEN	OPEN	OPEN	OPEN	OPEN	OPEN	OPEN	OPEN	4.7K	0
SHARP LQ181E1DG01	S14431DY	2N3904	10K	100K	0.1UF	22UF	0.1UF	FUSE-2A	OPEN	OPEN
LG LM181E1 (18.1")	OPEN	OPEN	OPEN	OPEN	OPEN	OPEN	OPEN	OPEN	4.7K	OPEN

NOTES: 1. Resistor values are in ohm, K=1,000 ohm, M=1,000,000 ohm
 2. All resistors are 1/8 watt, 5% except where otherwise indicated
 3. ∇ ∇ ∇ Represents PCB common ground.


ACER 明基電腦股份有限公司
Acer Peripherals, Inc.

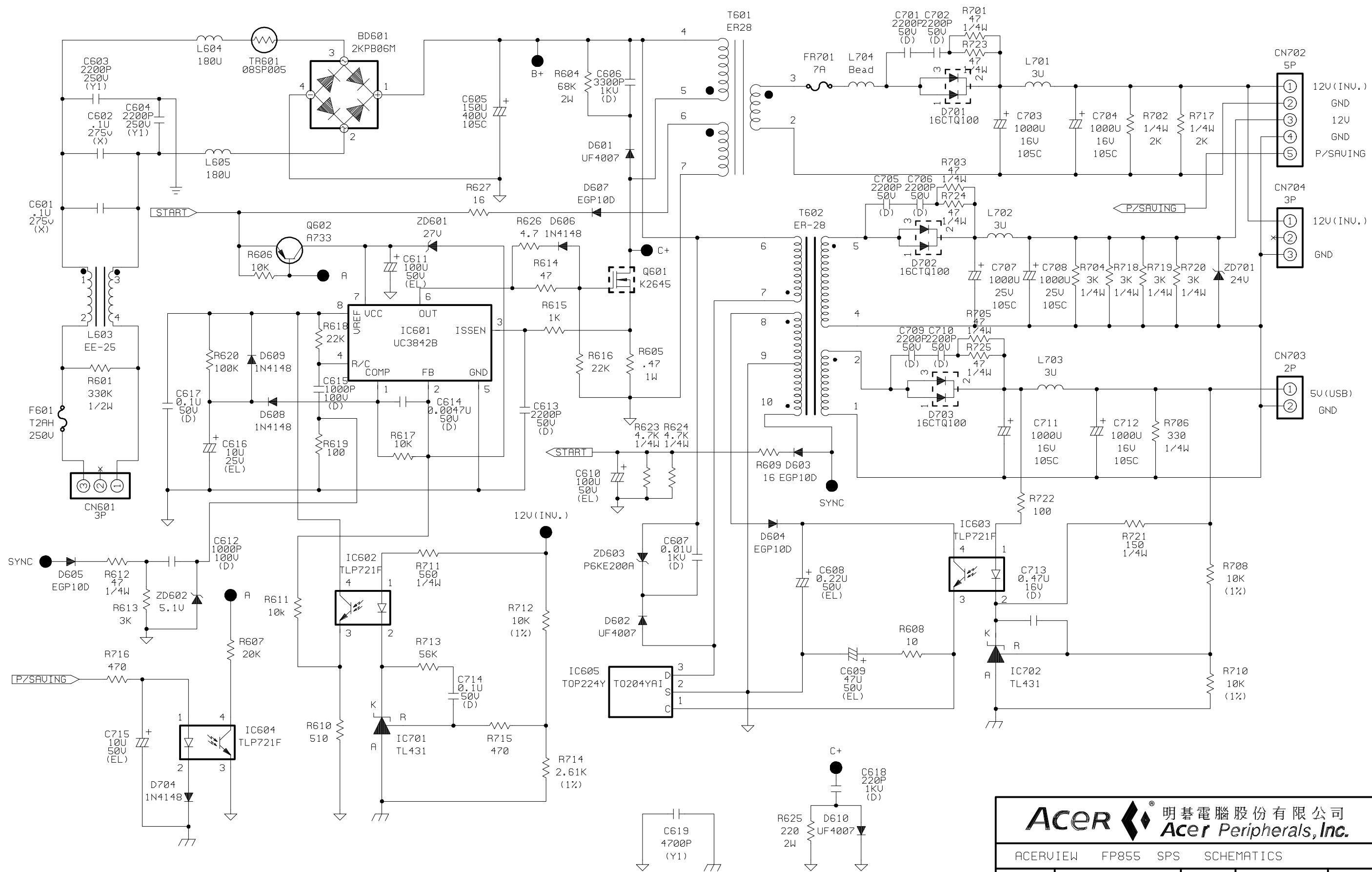
ACER FP850/FP855 (OUTPUT.CKT) SCHEMATICS

SIZE A4	70A02A00.SCH	FAB A	Doc. No. 304-C01	REV. 1
DATE : 7/20/1999	Sheet 9	OF 9		
Project Code. 91.70A02.001		Prepared By	Reviewed By	Approved By
		CHRIS PENG 7/20/99	ELLEY HUANG 7/20/99	ALEX WU 7/20/99



- NOTES:
1. Resistor values are in ohm, K=1,000 ohm, M=1,000,000 ohm
 2. All resistors are 1/8 watt except where otherwise indicated
 3. $\text{---} \nabla \text{---}$ Represents PCB common ground.

 明碁電腦股份有限公司 Acer Peripherals, Inc.				
ACERVIEW		FP855 DC-DC		SCHEMATICS
SIZE A4	70A07A01.SCH	FAB A01	Doc.No. 304-C02	REV. 0
DATE :	7/19/1999	Sheet	1	OF 1
Project Code. 99.L0872.001				
Prepared By		Reviewed By		Approved By
CHRIS PENG 7/19/99		NICK CC CHEN 7/19/99		T.S.WU 7/19/99



NOTES: 1. Resistor values are in ohm, K=1,000 ohm, M=1,000,000 ohm
 2. All resistors are 1/8 watt except where otherwise indicated
 3. ∇ ∇ ∇ Represents PCB common ground.

ACER 明碁電腦股份有限公司
Acer Peripherals, Inc.

ACERVIEW FP855 SPS SCHEMATICS

SIZE A4	70A04A01.SCH	FAB A01	Doc.No. 304-C03	REV. 0
DATE : 7/19/1999		Sheet 1 OF 1		
Project Code. 99.L0872.001				
Prepared By CHRIS PENG 7/19/99		Reviewed By NICK CC CHEN 7/19/99		Approved By T.S.WU 7/19/99